



# Wheel-Well Box Installation Instructions

Part No.: 14450

Please read and understand these instructions completely before installation to avoid injury to yourself or damage to the vehicle or accessory.

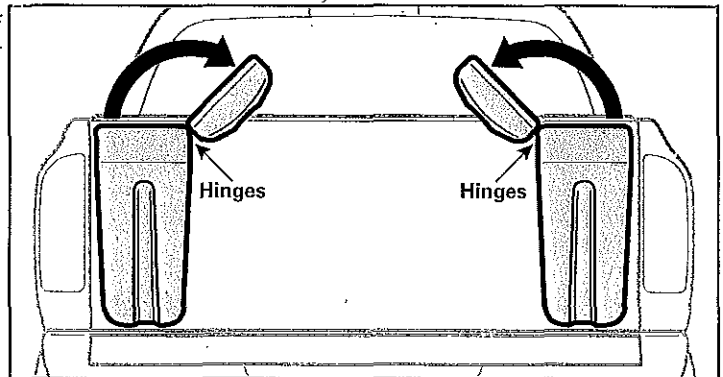
**Dealer:** These instructions contain important information for future reference and must be given to the customer at time of purchase or upon completion of installation.

## Parts List:

ITEM	PART NAME	PART NO.	DESCRIPTION	QTY.
1	Base	100-14450-A	Wheel-Well box base assembly	1
2	Lid	100-14450-B	Wheel-Well box lid assembly	1
3	Lock	50-0020	Cylinder lock with (2) keys	1
4	Lock Bracket	40-0074	Cylinder lock bracket	1
5	Screw	75-0088	M6 x 20mm button head cap screw (stainless steel/black zinc plated)	8
6	Washer	76-0066	Shoulder washer (black nylon)	8
7	Nut	77-0053	M6 nylock nut (stainless steel/black zinc plated)	8
8	Mounting Bracket	40-0073	Left mounting bracket	1
9	Mounting Bracket	40-0072	Right mounting bracket	1
10	Bolt	75-0113	1/4" x 1.0" hex head bolt (black oxide coated)	8
11	Washer	76-0080	1/4" flat washer (black oxide coated)	16
12	Nut	77-0060	1/4" hex nut (black oxide coated)	8
13	Screw	75-0112	1/4" x 1.0" sheet metal screw (black oxide coated)	2

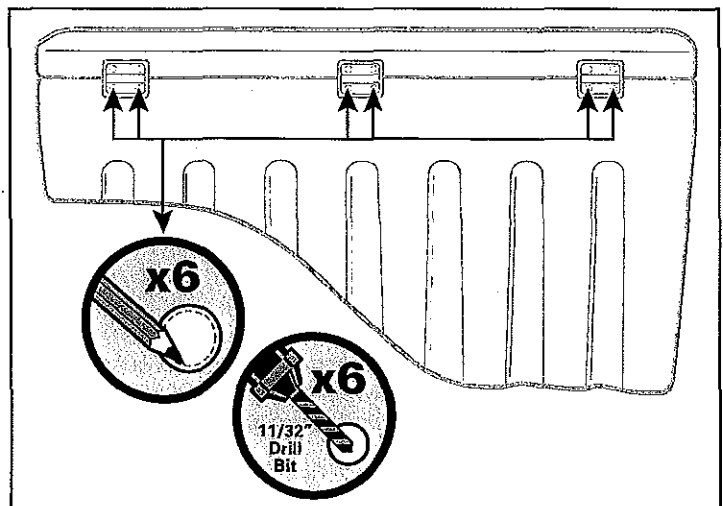
**Please Note:** The Wheel-Well Box was designed to fit most pickup truck beds. Because beds may vary in size and design, use your best judgement in determining where to locate the mounting hardware in order to provide a secure and stable installation.

1) Determine which side of the vehicle you will be mounting the wheel-well box. Since the lid was designed to open inward, note the location of the hinges in relation to the box. See **Image "A"**.

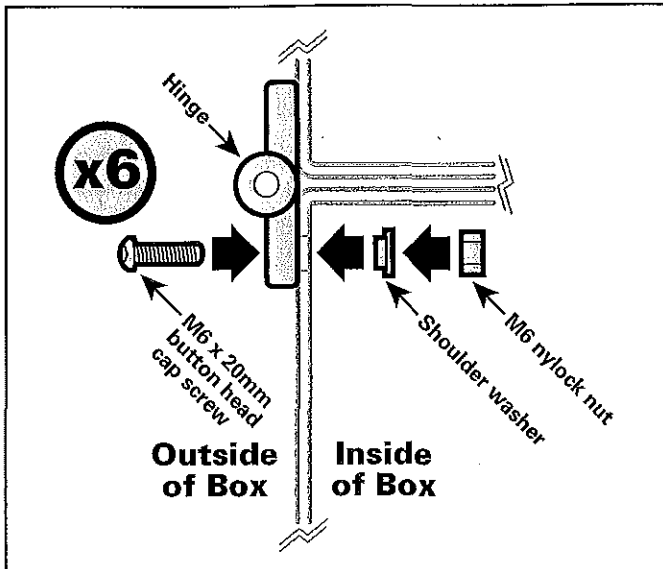


**Image A – Note the locations of the hinges.**

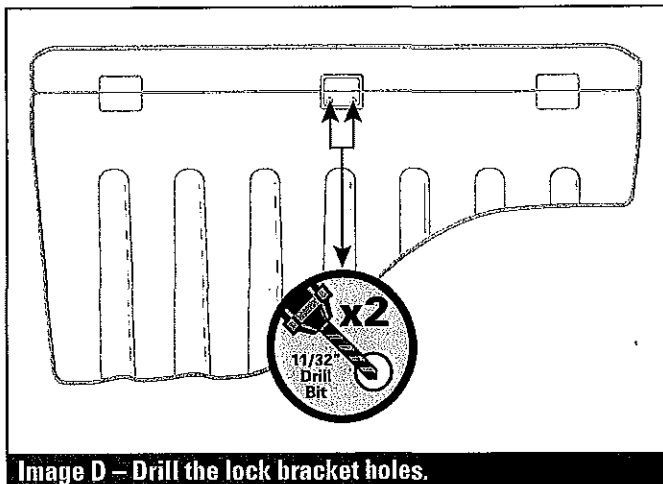
2) On the side of the box where the hinges will mount, you will see three recesses the hinges will attach. With the lid resting on the base, use the holes in the three (3) hinges as a template to carefully mark the mounting locations. Once you have marked all six (6) hole locations, use a 11/32" bit to drill out the holes. See **Image "B"**.



**Image B – Mark and drill the hinge holes.**

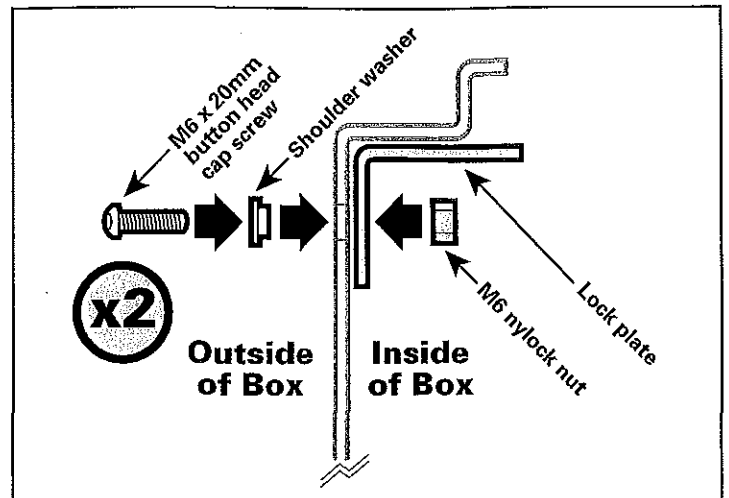


**Image C – Mount the lid to the base.**

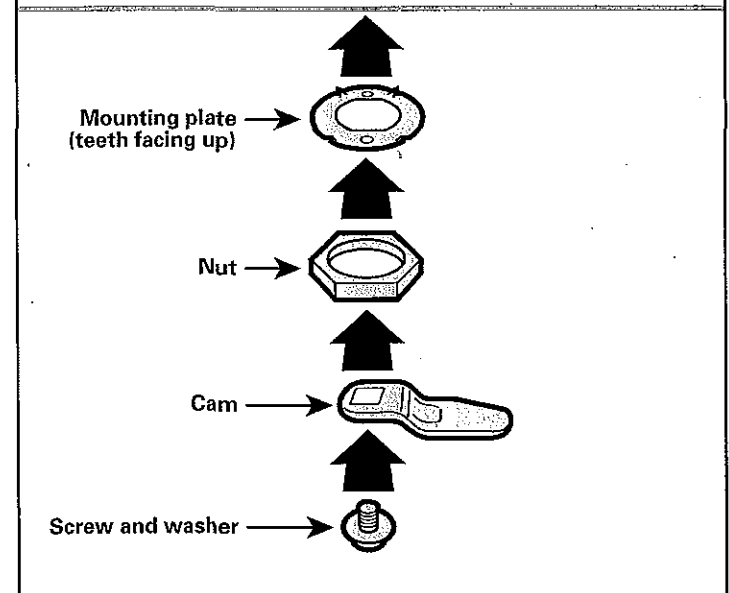
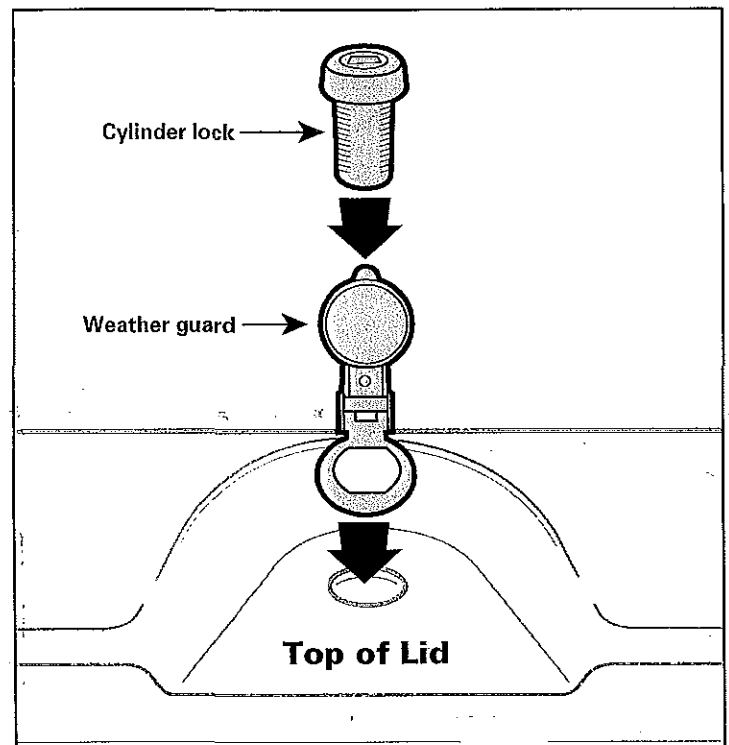


**Image D – Drill the lock bracket holes.**

- 3) Continue by mounting the lid using the supplied M6 screws, nuts and shoulder washers. See **Image "C"**.
- 4) The lock bracket will mount inside the box on the side opposite the hinges. Locate the center hinge location. In that recess you will find two (2) drill points. Again, use a 11/32" bit to drill out these two (2) holes. See **Image "D"**.
- 5) Continue mounting the lock bracket by using the supplied M6 screws, nuts and shoulder washers. See **Image "E"**.
- 6) To install the locking mechanism, feed the cylinder lock, with the weather guard attached, through the large hole in the top of the lid. From the underside of the lid, secure the lock with the supplied mounting plate and nut. Once secure, continue by mounting the cam to the cylinder using the supplied screw and washer. **NOTE:** When mounted correctly, the cam will point toward the lock bracket when in the locked position. Due to inconsistencies in the manufacturing process, the cam may need to be adjusted in order to engage properly with the the bracket. Test this by using the supplied keys to rotate cylinder lock. When locking, the cam should draw the lid down if properly installed. See **Image "F"**.



**Image E – Mount the lock bracket to the base.**



**Image F – Installing the lock mechanism.**

- 7) To install the box to the bed of your truck, place the box back into your desired location keeping in mind it should rest on the bed of the vehicle, up against the wheel well and side wall. See Image "G".
- 8) Position the left and right mounting brackets firmly against the sides of the box. Slide them up until the top of the brackets are positioned on the bed rail. **NOTE: Be certain the brackets do not extend above the bed rail.** See Image "H".
- 9) Using the brackets as a template, mark the two (2) hole locations on each bracket onto the bed rail. Remove the box and set aside. Using a 1/4" bit, carefully drill the four (4) marked hole locations. See Image "J".
- 10) Continue mounting both left and right brackets to the bed rail of the vehicle using the supplied 1/4" hex head bolts, washers and hex nuts. See Image "K".
- 11) Place the box back into position once again keeping in mind it should rest on the bed of the vehicle and up against the wheel well. Using the brackets as a template, mark the four (4) hole locations which connect the brackets to the box. Remove the box and using a 1/4" bit, carefully drill the four (4) marked hole locations. See Image "L".

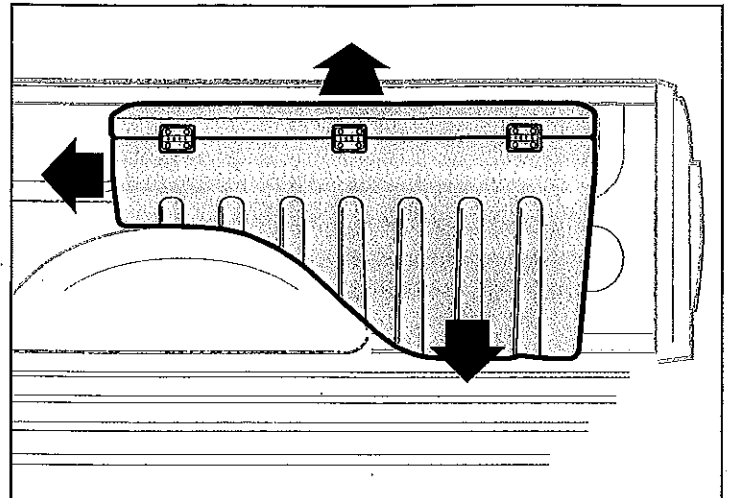


Image G – Box rests on bed and against wheel well and side rail.

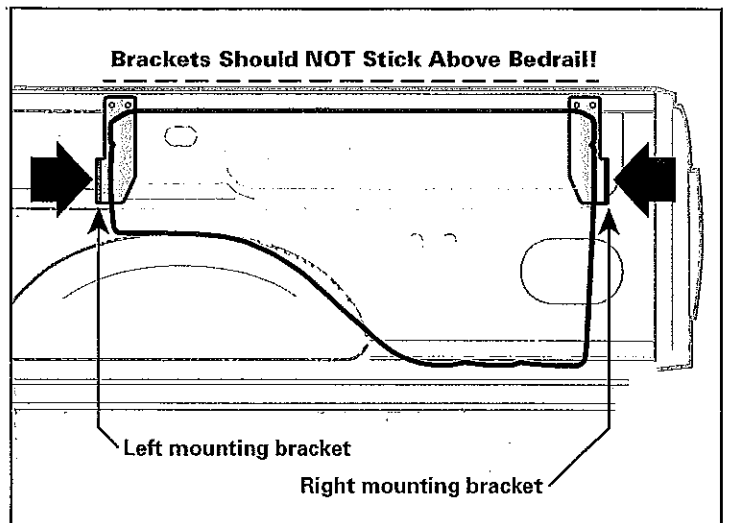


Image H – Position the mounting brackets.

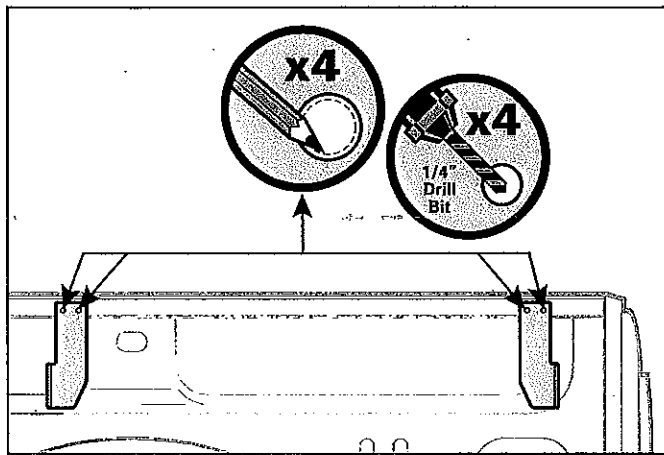


Image J – Mark and drill the vehicle's bed rail.

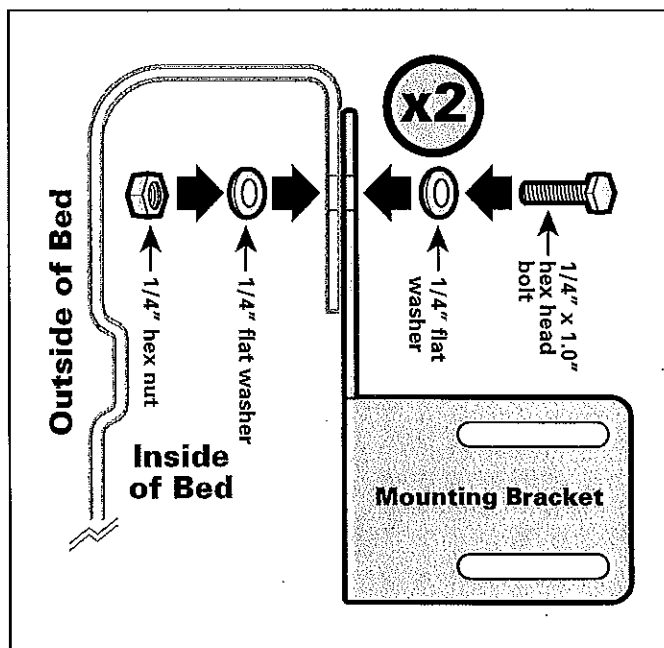


Image K – Fasten the mounting brackets to the bed rail.

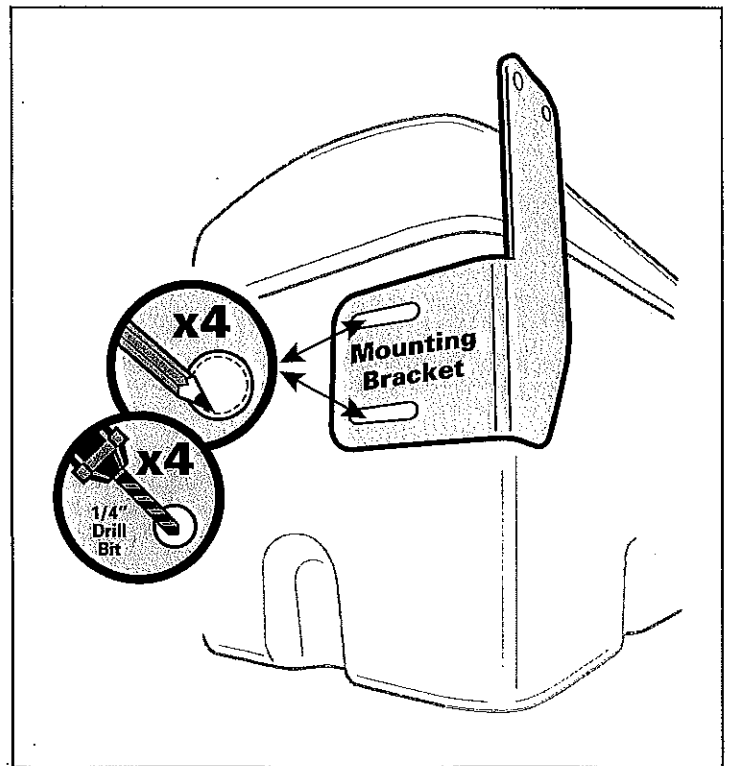


Image L – Mark and drill the vehicle's wheel well box.

Image O - Fasten the rear mounting bracket to the bed.

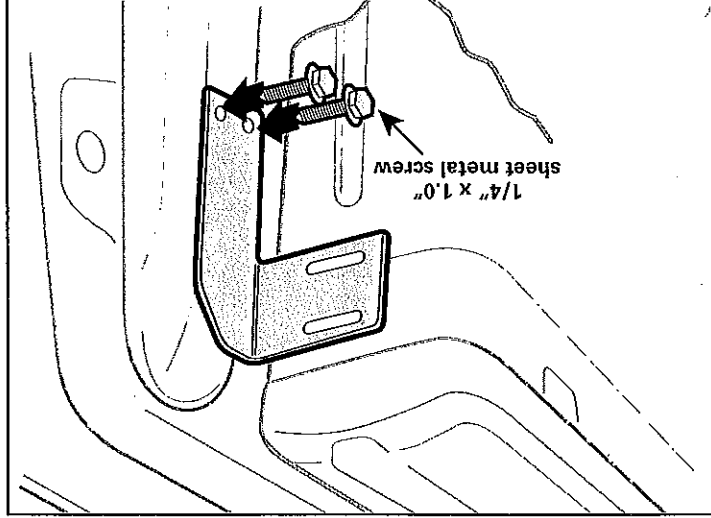


Image P - Mark and drill the vehicle's bed.

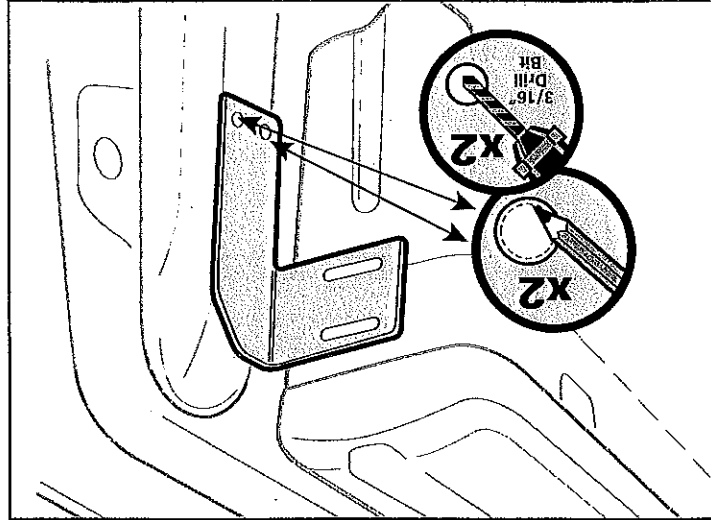


Image N - Optional rear mounting bracket positioning.

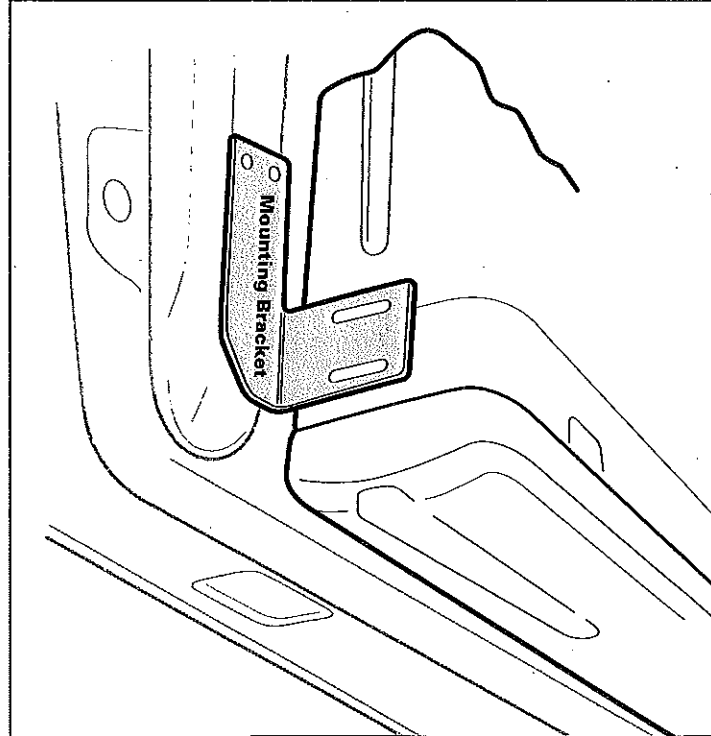
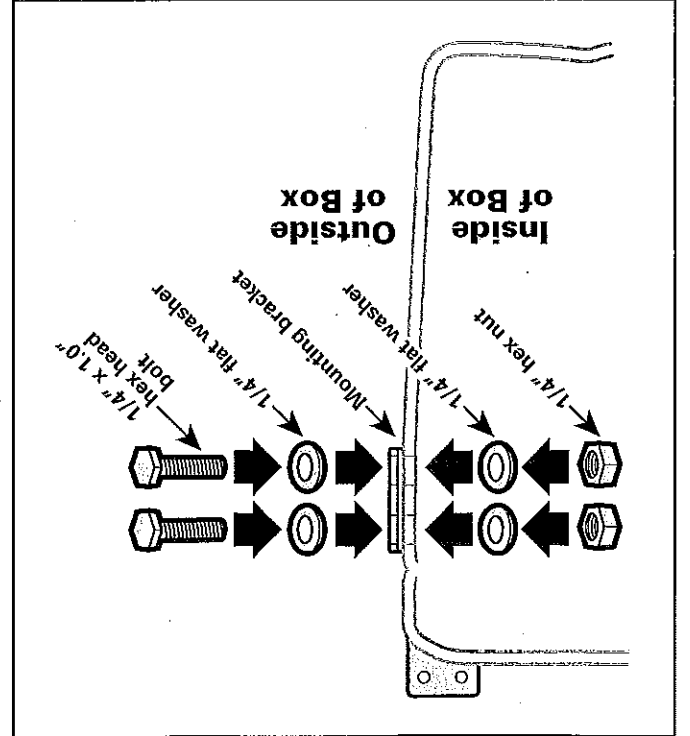


Image M - Fasten the wheel well box to the mounting brackets.



12) Place the box back into position. Using the supplied 1/4" hex head bolts, washers and hex nuts, finish mounting the box to both mounting brackets. See Image "M".

### Optional Mounting Method

13) In some cases, the design of the bed on your vehicle will interfere with the rear mounting bracket. If this is the case, the rear mounting bracket can be positioned upside-down in order to mount the box. See Image "N".

14) Using the rear bracket as a template, mark the two (2) hole locations on the bed of the vehicle. Remove the box and set aside. Using a 3/16" bit, carefully drill the two (2) marked hole locations. See Image "P".

15) Continue mounting the rear bracket using the supplied 1/4" sheet metal screws. See Image "O".

16) Refer to Steps 8-12 to mount the box to the front bracket.

**Maintenance and Care:** Tighten all hardware after first use and periodically thereafter.

**WARNING** Failure to follow these installation instructions completely may void any warrantable components and result in property damage or personal injury. NEVER operate your vehicle with unsecured cargo.

Kolpin Outdoors, Inc.  
1.877.956.5746 | customerservice@kolpin.com