

# KOLPIN<sup>®</sup> OUTDOORS

## KOLPIN MANUAL QUICK LIFT KIT

P/N 15-0030

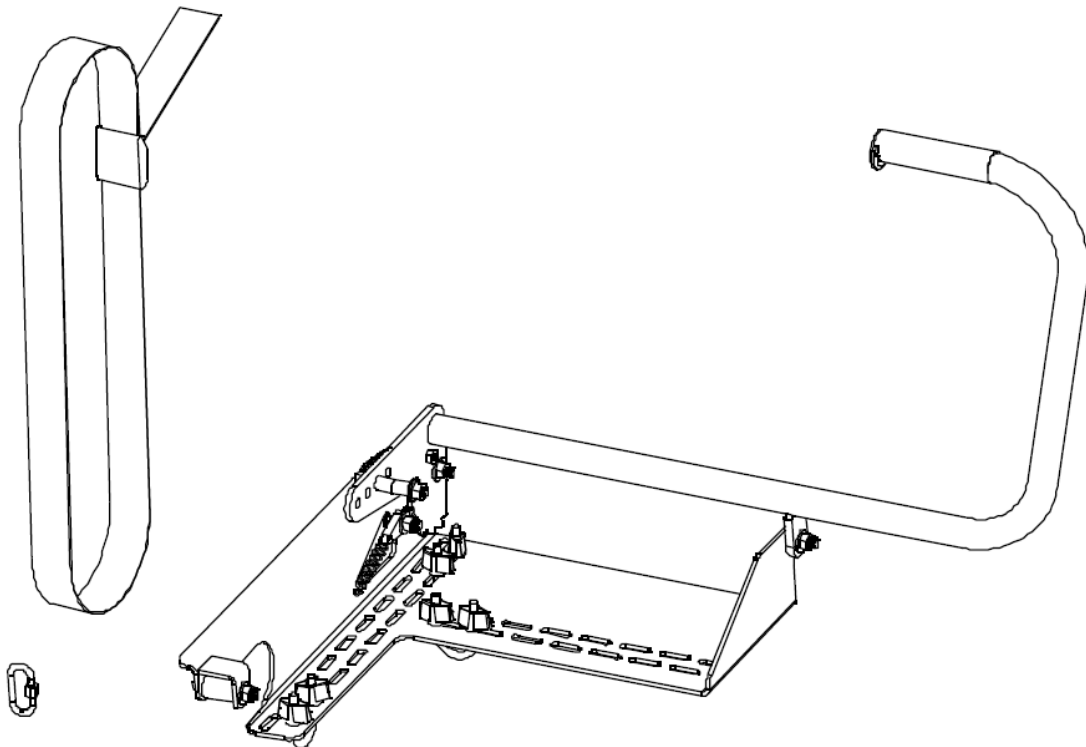
### OWNER'S MANUAL

#### Application

ATV PUSH FRAME NO. 15-0070, 33-0000, 33-0070, 17-0000, 10-0520

**ATTENTION DEALER: CUSTOMER MUST RECEIVE A COPY OF THIS MANUAL  
AT THE TIME OF SALE.**

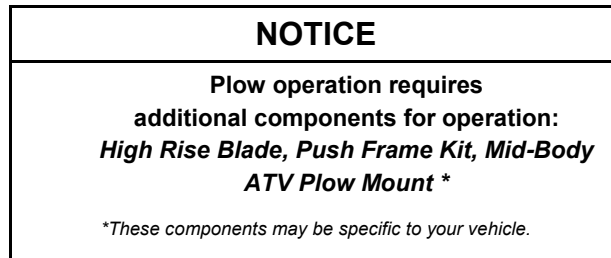
Before you begin, please read these instructions and check to be sure all parts and tools are accounted for. These instructions will help you to become familiar with operation of the manual quick lift. Instructions contain details required to install, service the contents of this kit, for adjustment and maintenance.



# INTRODUCTION

Congratulations! You've just purchased one of the industry's top plow system component. The Kolpin Manual Quick Lift works great for all types of plowing. With proper care and maintenance, your plow lift kit will last for many years!

The Quick Lift is a rack mounted manual lift for your Kolpin Plow. The Quick Lift features a four position ratcheting handle for quick and easy lifting. It attaches easily to the front of most ATVs with steel racks and can be quickly removed when not in use.



Please read and understand all adjustment/maintenance instructions, notices and warnings before assembling and operating your plow system.

## **Follow these guidelines to ensure satisfactory operation:**

- When lowering plow, do not let go of lift handle until plow has reached the ground.
- Read this manual and your ATV operators manual before use.
- Periodically check for wear and tightness of all fasteners. Replace or re-torque fasteners as necessary.
- Before first use, set plow in the furthest right or left angled position to check for clearance between the plow and front tires.
- Operate with extreme caution on slopes and rough terrain. Be familiar with the area before you plow.
- Be aware of immovable objects that could be hidden in the area you are plowing.
- To avoid damage when pushing snow into a pile, reverse direction before raising the plow blade.
- Do not ram the plow blade into piles of snow. **\*\*Slow down before hitting a pile.\*\***
- For best results, set the suspension preload of your ATV to the stiffest setting.
- To reduce steering effort and increase mobility, set the air pressure of your tires to the maximum pressure specification.
- The plow skids are adjustable. General skid setting is even with the plow wear bar bottom edge, higher settings reduce the chance of rocks and gravel from being collected.
- To increase traction during plow operation, operators can try: Securing weight to the ATV for additional tire downforce, reducing tire air pressure, or installing tire chains.
- The plow blade assembly is designed to 'trip' when it strikes an object or digs in too far. When pressure is released, the plow springs back into position. *Spring tension can be increased by tightening the locknuts on the bottom of the eyebolts. For less spring tension, loosen the locknuts.*
- Always wear appropriate protective clothing as recommended in ATV's operator's manual.
- Keep away from blade and moving parts during operation.
- Keep these instructions for future reference.
- All directions referring to right and left are when the rider is sitting on the machine.
- Your Kolpin accessory is exclusively designed for your vehicle.

## SAFETY INFORMATION

Our plow systems were designed with your safety in mind. Please read and understand all Cautions, Notices and Warnings in this manual before you begin. In order to protect you and your ATV, certain parts of the plow system and/or hardware are designed to fail when the equipment is over-stressed.



# DANGER



### TO AVOID SERIOUS INJURY OR DEATH:

1. DO NOT EXCEED 5 MPH (8 KM/H) WITH THE BLADE INSTALLED.
2. OPERATE WITH EXTREME CAUTION ON SLOPES, STEEP GRADES, AND ROUGH TERRAIN.
3. ALLOW NO RIDERS ON BLADE OR ATV WHILE MOVING OR STATIONARY.
4. KEEP BYSTANDERS AWAY FROM THE BLADE OR ATV WHILE MOVING OR STATIONARY.
5. WHEN PUSHING HEAVY MATERIAL, DIRECTION CONTROL MAY BECOME DIFFICULT.
6. BEFORE ADJUSTING BLADE: STOP ATV ENGINE; SET AND LOCK BRAKES; RAISE AND LOCK BLADE IN UP POSITION. DO NOT ATTEMPT TO RAISE BLADE BY HAND; USE THE LIFT MECHANISM ONLY.
7. LOWER BLADE TO DOWN POSITION WHEN BLADE AND ATV ARE NOT IN USE.
8. READ PUSH FRAME'S INSTRUCTION SHEETS AND ATV OWNER MANUAL.

### BEFORE YOU BEGIN:

- Your Kolpin accessory is exclusively designed for your vehicle.
- Please read and understand all instructions.
- Verify all parts and tools are accounted for.
- To ensure a satisfactory installation, follow all steps correctly and in the sequence described.
- Keep these instructions for future reference or for informational requests.
- To facilitate installation, make sure that your vehicle is clean and free of debris.
- All directions referring to right and left are when the rider is sitting on the machine

### TOOLS REQUIRED:

- Basic Metric Wrench Set
- Basic Metric Socket Set
- Long nose pliers or spring puller or shoe-string sized rope

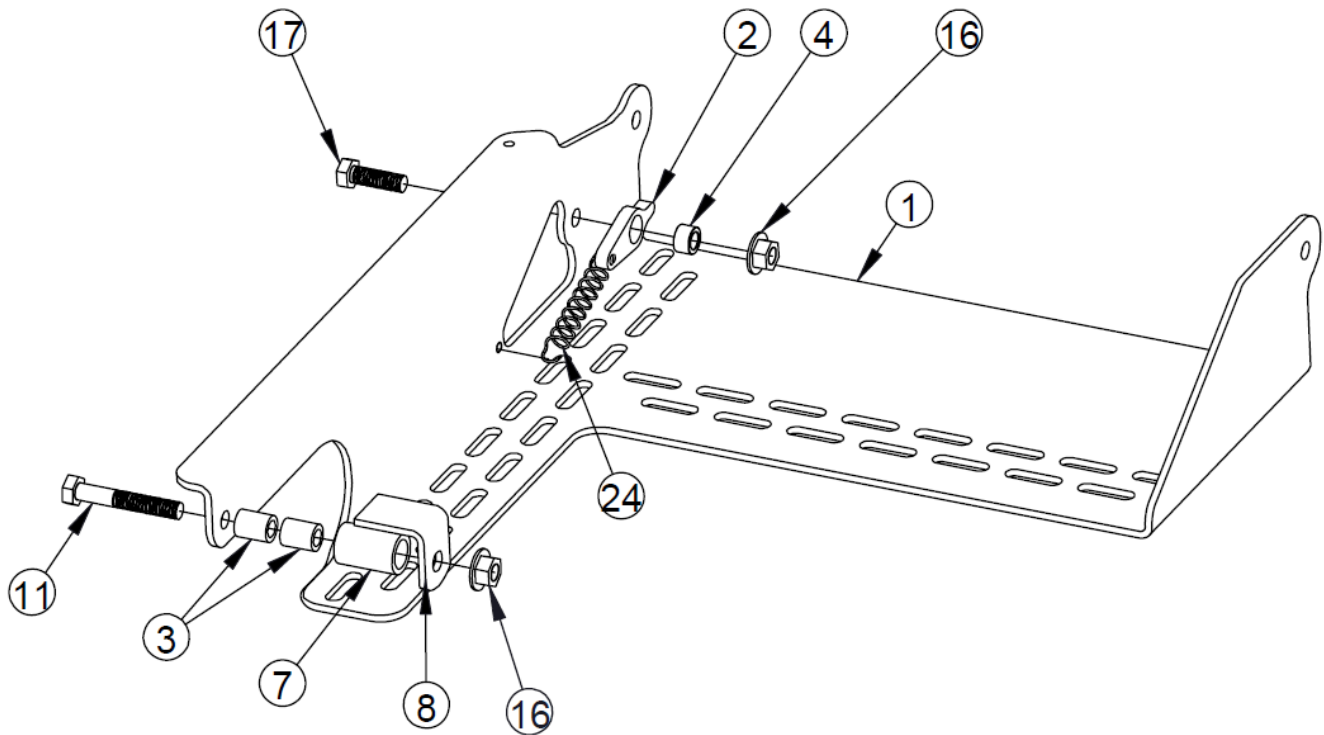
## APPROXIMATE ASSEMBLY TIME: 30 minutes

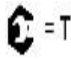
RE-TORQUE ALL BOLTS AND NUTS AFTER THE FIRST 30 MINUTES OF USE.

# ASSEMBLY INSTRUCTIONS:

1. Assemble the base plate (Item 1) as shown below.

| ITEM NO | QTY | PART NO | DESCRIPTION    |
|---------|-----|---------|----------------|
| 1       | 1   | CYC2053 | Base Plate     |
| 2       | 1   | CYC2057 | Pawl           |
| 3       | 2   | PUR1361 | Bushing        |
| 4       | 1   | PUR1360 | Sleeve Bushing |
| 7       | 1   | CYC2058 | Roller         |



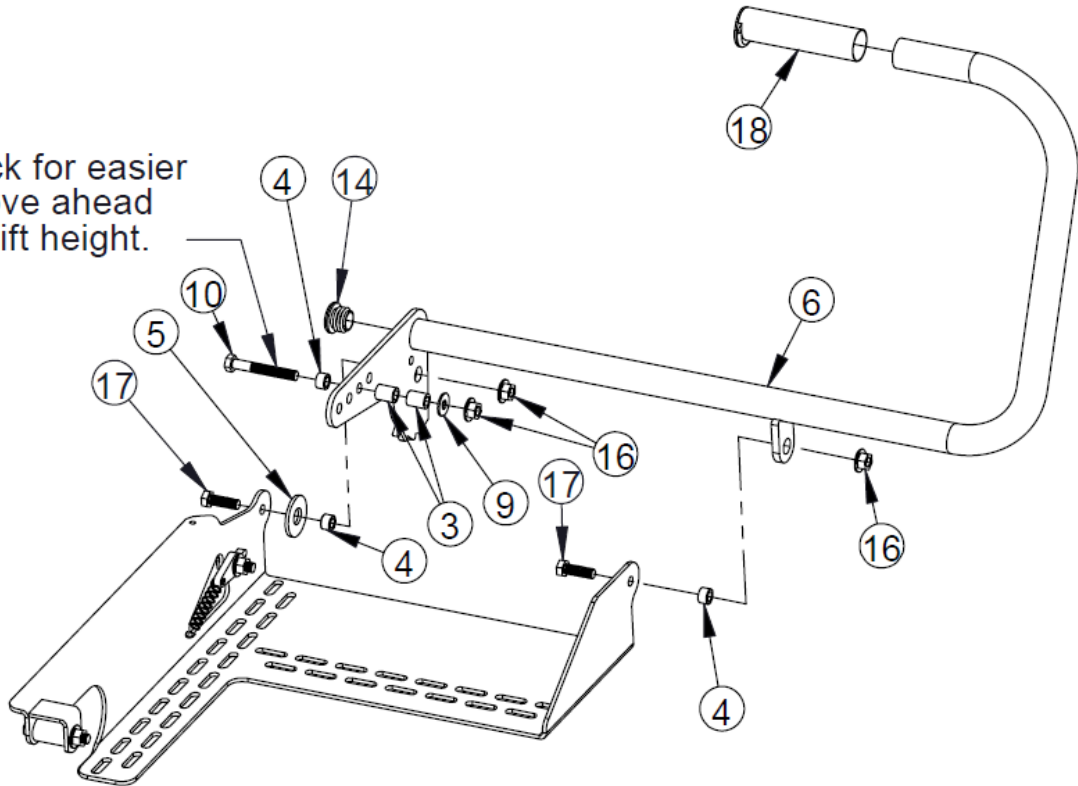
 =T  
**8MM FASTENER TORQUE:**  
 17 ft-lbs. (23 N-m)

# ASSEMBLY INSTRUCTIONS

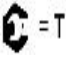
(continued):

1. Assemble the handle weldment (item 6) onto the base assembly as shown below:

Move back for easier lifting, move ahead for more lift height.




| ITEM NO | QTY | PART NO | DESCRIPTION      |
|---------|-----|---------|------------------|
| 3       | 2   | PUR1361 | BUSHING          |
| 4       | 3   | PUR1360 | SLEEVE BUSHING   |
| 5       | 1   | PUR3089 | FLAT WASHER 12MM |
| 6       | 1   | CYC2054 | HANDLE WELDMENT  |
| 9       | 1   | PUR3087 | FLAT WASHER 8MM  |
| 10      | 1   | PUR3019 | BOLT M8 X 60MM   |
| 14      | 1   | PUR0353 | PLUG             |
| 16      | 3   | PUR3074 | FLANGE NUT M8    |
| 17      | 2   | PUR3012 | BOLT M8 X 25MM   |
| 18      | 1   | PUR1477 | HANDLE GRIP      |

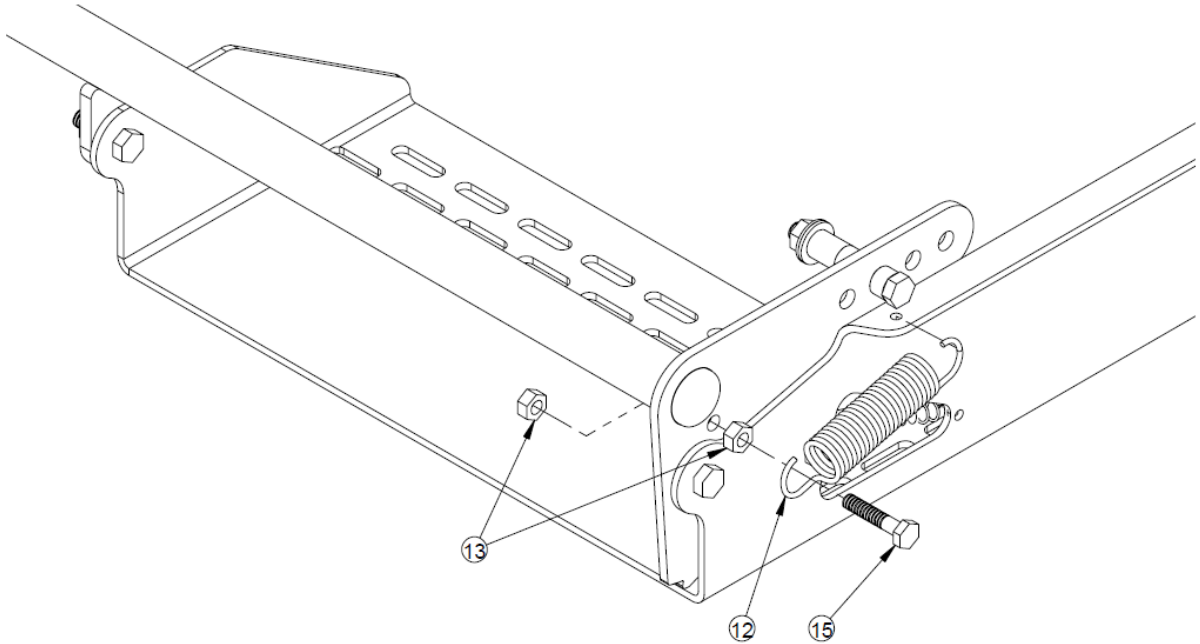
|   |
|---|
|  = T |
| <b>8MM FASTENER TORQUE:</b><br>17 ft-lbs. (23 N-m)                                      |

# ASSEMBLY INSTRUCTIONS

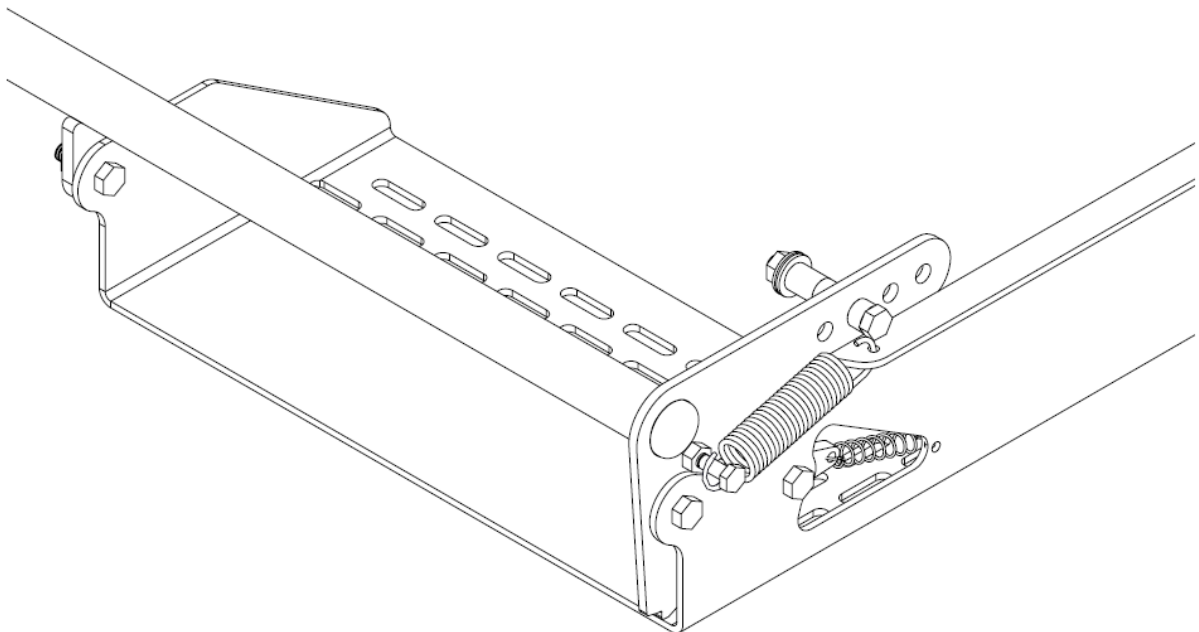
(continued):

1. Install the return spring (item 12) as shown below:

|   |
|---|
|  = T |
| <b>6MM FASTENER TORQUE:</b><br>8 ft-lbs. (10.8 N-m)                                     |

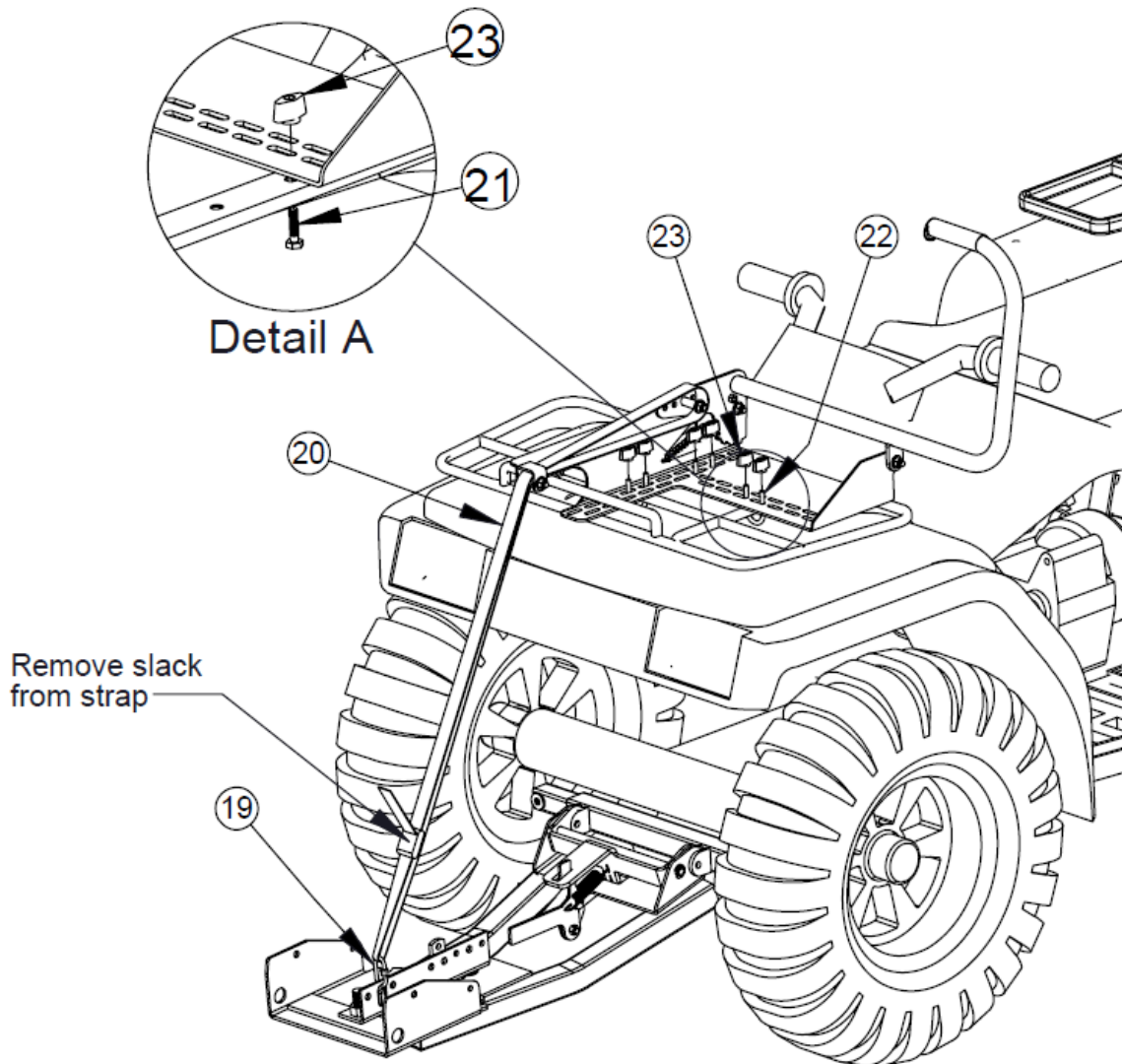


| ITEM NO | QTY | PART NO | DESCRIPTION    |
|---------|-----|---------|----------------|
| 12      | 1   | PUR1437 | SPRING         |
| 13      | 2   | PUR3067 | M6 NYLOCK NUT  |
| 15      | 1   | PUR3004 | BOLT M6 X 30MM |

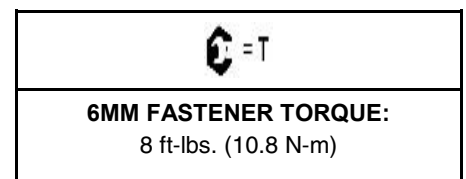


## INSTALLATION INSTRUCTIONS:

1. Install the quicklift onto the front rack of the ATV using u-bolts and knobs (items 22 and 23) to fasten the lift to the rack as shown below. The quicklift should be approximately centered on the ATV rack, but may need to be offset in order for the lift handle to clear the handlebars. U-bolt placement will vary among ATVs. Note: Some ATVs use steel channels as part of their front racks and it may be necessary to use a 1" bolt (item 21) instead of the u-bolt, see Detail A.
2. Move the lift handle through the entire range of motion and check for clearance. If interference is found, adjust lift location accordingly.

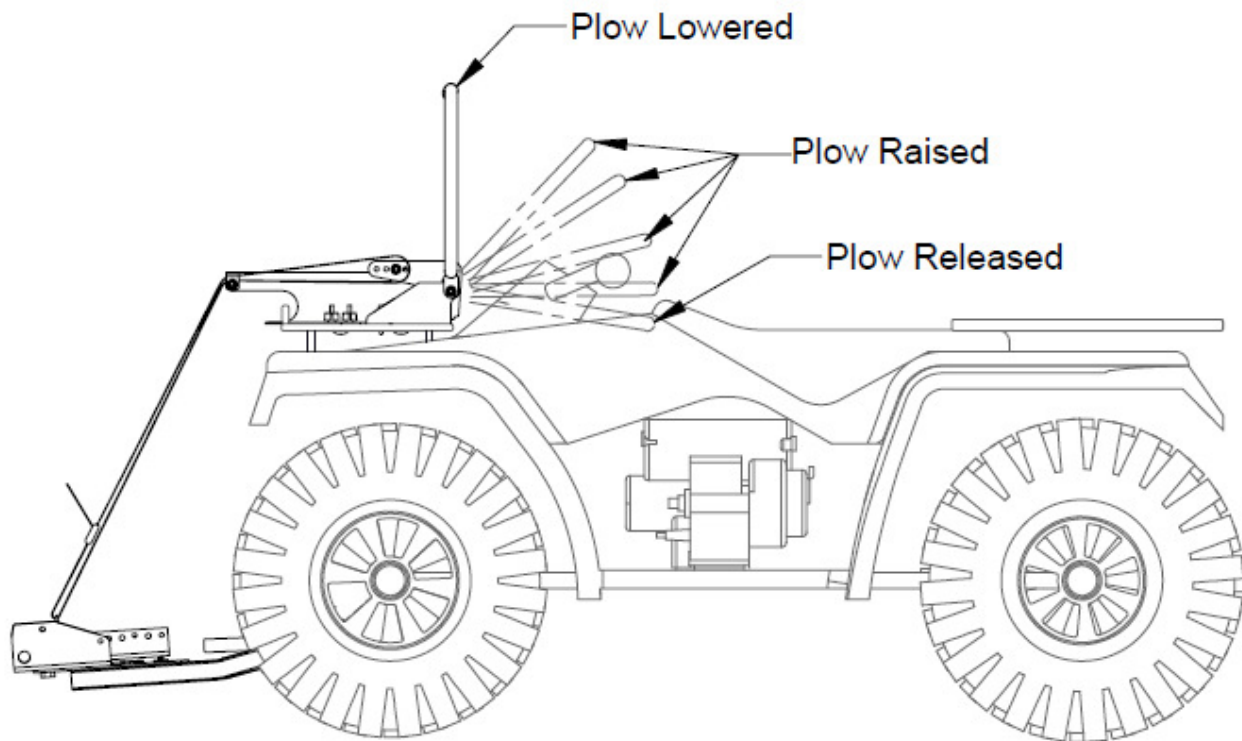


| ITEM NO | QTY | PART NO | DESCRIPTION             |
|---------|-----|---------|-------------------------|
| 19      | 1   | PUR1497 | QUICK LINK              |
| 20      | 1   | PUR2348 | STRAP 10' CAM LOCK      |
| 21      | 1   | PUR3003 | BOLT M6 X 50MM          |
| 22      | 3   | PUR3188 | U-BOLT M6 X 30MM X 50MM |
| 23      | 6   | PUR3249 | KNOB M6                 |



## OPERATION:

1. To raise the plow, pull back on the lift handle, stopping at one of the four raised positions.
2. To lower the plow, pull the lift handle to the released position, then let the handle return to the lowered position.



Replacement hardware kits: 12-0430 &/or 12-0440





## One Year Limited Warranty

For the period of one (1) year from the purchase date, Kolpin will replace for the original purchaser, free of charge, any part or parts found upon examination by Kolpin to be defective in material, workmanship, or both.

All transportation costs incurred submitting product to Kolpin for warranty consideration must be borne by the purchaser. If Kolpin determines that the product must be returned to the factory for credit, please call 1-877-956-5746 for a Return Merchandise Authorization (RMA) number and shipping instructions.

This warranty does not apply to parts that have been damaged by accident, alteration, abuse, improper maintenance, normal wear, or other causes beyond the manufacturer's control. In order to protect you and your ATV, certain parts of the plow system and/or hardware are designed to fail when the equipment is over-stressed. Parts that are lost due to loosening and improper maintenance are not covered under warranty. This warranty does not cover removal or reinstallation labor fees of the plow system and related components.

Peripheral products such as engines, electric motors, and actuators may carry an original manufacturer's warranty. Most hardware is general in nature and is easily obtained locally. Be sure to replace with minimum metric class 8.8 specification.

**Kolpin Outdoors, Inc.**

**Telephone: (763)-478-5800**

**Toll Free: (877)-956-5746**

**Fax Number: (800)-245-7569**

**[www.kolpin.com](http://www.kolpin.com)**

**Email: [customerservice@kolpin.com](mailto:customerservice@kolpin.com)**