



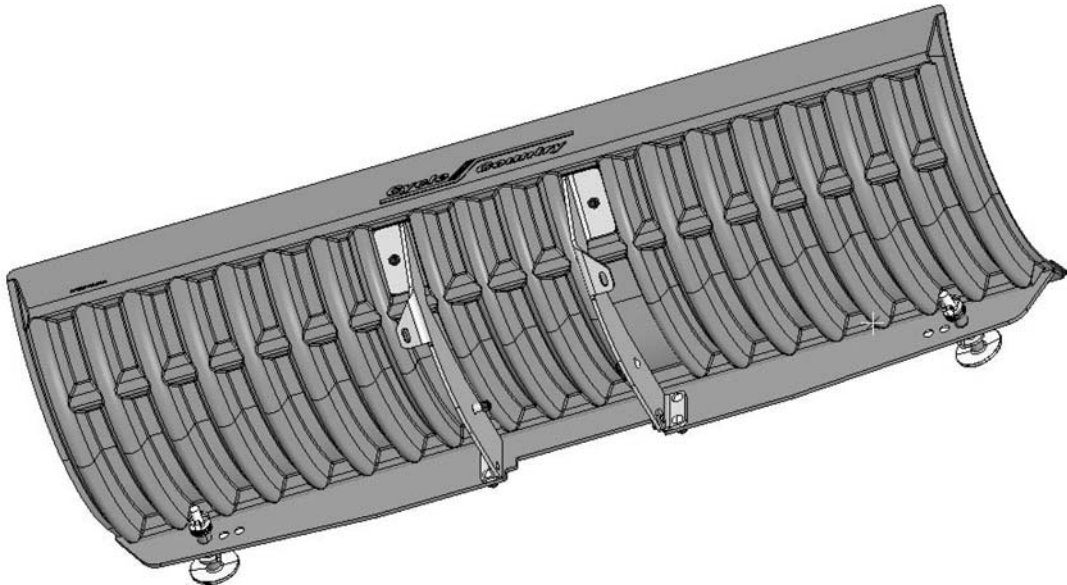
# BEARFORCE POLY 'XT' BLADE

## ASSEMBLY / OWNER'S MANUAL

Part No: 10-0440

10-0450

10-0460



# OPERATING INSTRUCTIONS

Congratulations! You've just purchased the most durable, lightweight plow in the industry. The X-Force Poly Plow works great for summer or winter plowing and features our patented rib-core technology with polyethylene construction.

NOTICE
<p>This plow assembly requires additional components for operation*</p> <p><b>Cycle Country Push Tube</b></p> <p><b>Cycle Country Mount Kit</b></p> <p><b>Cycle Country Blade Lift System</b> <b>(Winch Kit, Electric Lift, Manual Lift)</b></p> <p><small>*These components may be specific to your vehicle. To find your specific application, use the 'Search by Vehicle' function at <a href="http://www.cyclecountry.com">www.cyclecountry.com</a></small></p>

Please read and understand all assembly instructions, notices and warnings before assembling and operating your Cycle Country plow system.


## Follow these guidelines to ensure satisfactory operation:

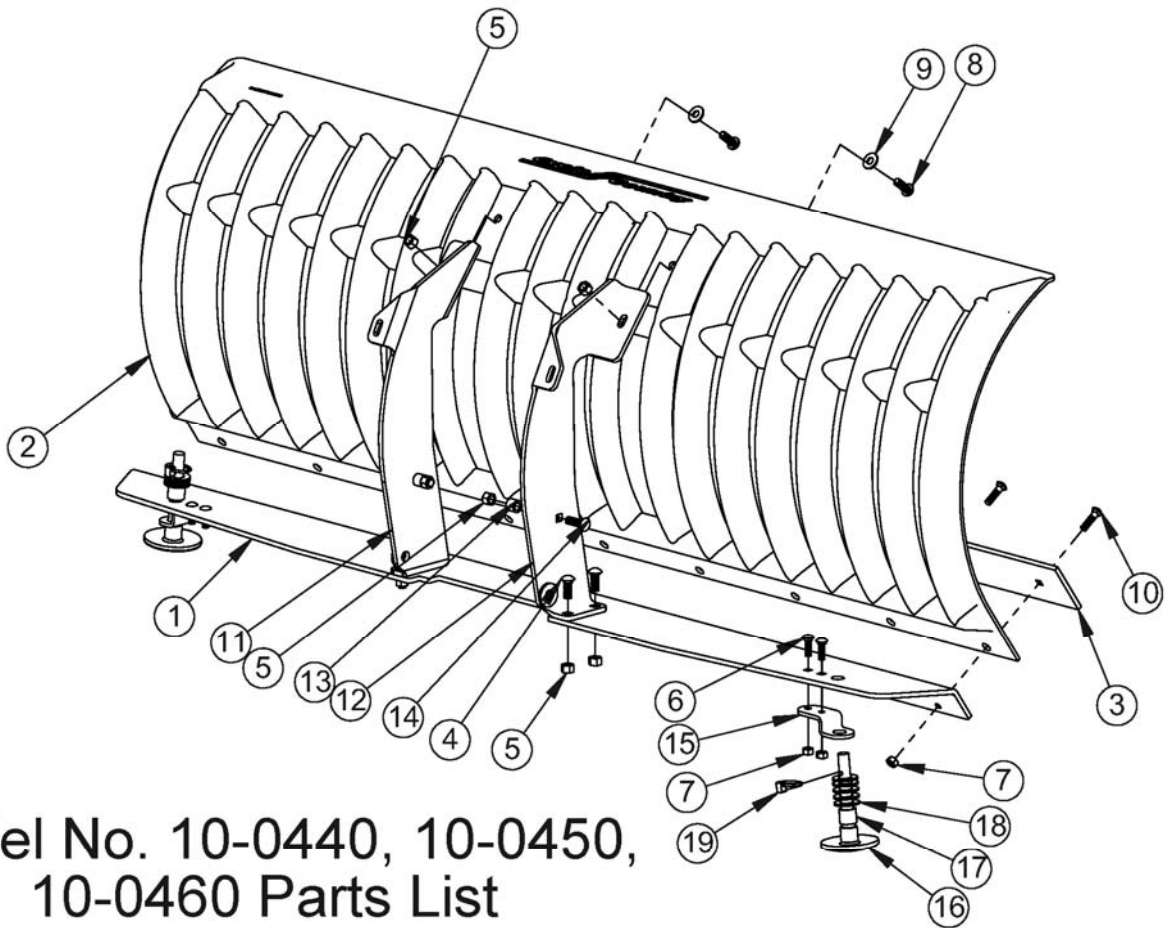
- Read this manual and your ATV operators manual before use.
- Before first use, set plow in the furthest right or left angled position to check for clearance between the plow and front tires.
- Operate with extreme caution on slopes and rough terrain. Be familiar with the area before you plow.
- Be aware of immovable objects that could be hidden in the dirt, gravel or snow you are plowing.
- To avoid damage when plowing dirt, gravel or snow into a pile, reverse direction before raising the plow blade.
- Do not ram the plow blade into piles of dirt, gravel or snow .
- Periodically check for wear and tightness of all fasteners. Replace or re-torque fasteners as necessary.

A complete operator's guide can be downloaded for free at [www.cyclecountry.com](http://www.cyclecountry.com). This guide contains beginner-to-advanced information regarding plow systems and operation.

# SAFETY INFORMATION

Cycle Country plow systems were designed with your safety in mind. In order to protect you and your ATV, certain parts of the plow system and/or hardware are designed to fail when the equipment is over-stressed.

 <b>WARNING</b>
<p><b>To avoid personal injury or damage to your vehicle:</b></p> <p>Do not exceed 5 mph (8 kph) with the blade installed</p> <p>Be aware that vehicle ground clearance is reduced with plow system installed</p> <p>Keep yourself, other people and pets away from the blade and moving parts during operation</p> <p>Before adjusting blade angle or disconnecting the plow system, stop the ATV engine and set the parking brake</p> <p>Remove your plow system before trail riding</p>



## Model No. 10-0440, 10-0450, 10-0460 Parts List

ITEM NO.	QTY.	PART NO.	DESCRIPTION
1	1	CYC2142	Angle 66"
1	1	CYC2143	Angle 72"
1	1	CYC2135	Angle 60"
2	1	OSP0124	Blade 66" Plastic Black
2	1	OSP0125	Blade 72" Plastic Black
2	1	OSP0123	Blade 60" Plastic Black
3	1	12-0165	Wear Bar 66" Double Sided
3	1	12-0170	Wear Bar 72" Double Sided
3	1	12-0160	Wear Bar 60" Double Sided
4	4	PUR1185	Carriage Bolt 3/8" x 1"
5	8	PUR1272	Locknut 3/8" Nylock
6	4	PUR1189	Carriage Bolt 5/16" x 1" Clear Zinc
7	15	PUR1275	Locknut 5/16" Nylock Clear Zinc
8	2	PUR2263	3/8" x 1" Button Head Screw
9	2	PUR2501	3/8" x 1-1/2" Washer
10	11	PUR1191	Carriage Bolt 5/16" x 1-1/4"
11	1	CYC2172	Rib Weldment LH
12	1	CYC2174	Rib Weldment RH
13	2	CYC4488	Bushing
14	2	PUR1187	Carriage Bolt 3/8" x 1-1/4"
15	2	CYC2090	Skid Bracket
16	2	PUR1467	Skid Cast Heavy Duty
17	4	PUR0400	Spacer
18	10	PUR1246	Flatwasher 5/8 SAE
19	2	PUR1359	Quick Pin .1875" x 1.5"

### PARTS ORDERING INFORMATION:


Replacement fasteners are common-type and can be purchased locally. Use minimum Grade 3 galvanized fasteners.

Standard bolt kit is supplied. Extra fasteners account for the different blade lengths.

Skid Kit #10-0055 must be ordered to replace items 16, 17, 18, 19.

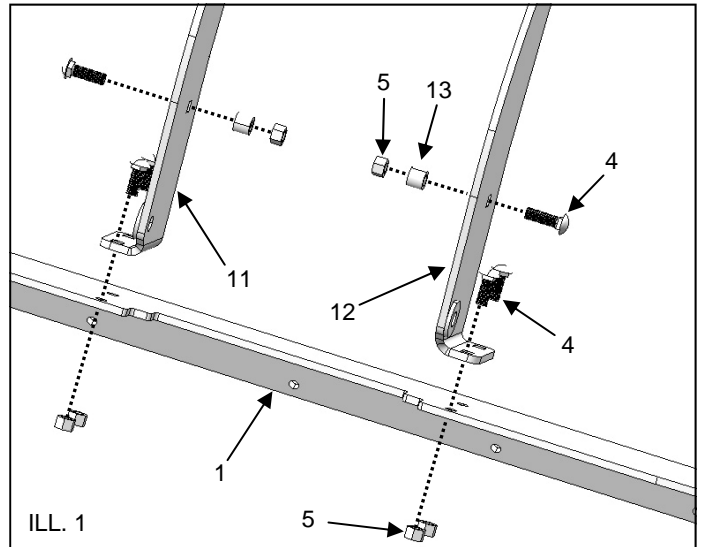
## ASSEMBLY INSTRUCTIONS:

1. Attach blade stops, items #4, #13 and #5 to ribs #11 and #12 as shown in Illustration 1. *Torque fasteners to specification.*

 = T
<b>BLADE STOP FASTENER TORQUE:</b> 17ft. lbs. (23 Nm)

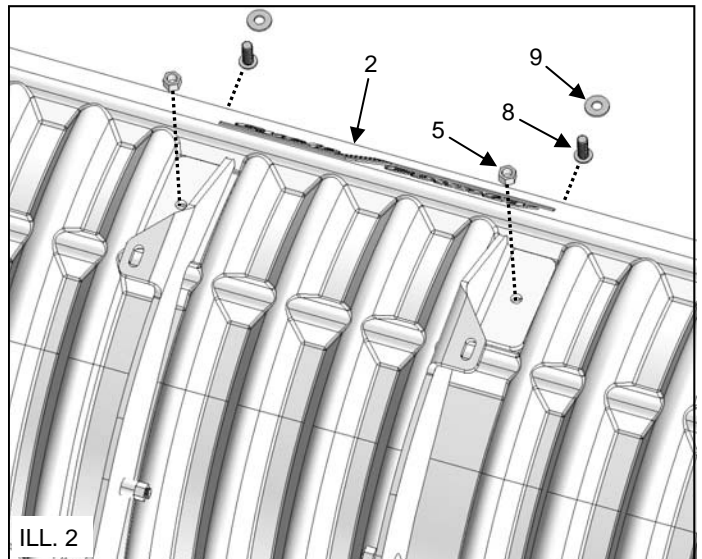
2. Attach ribs, Item #11 and #12, to angle #1, using fasteners #4 and #5 as shown in Illustration 1. *Leave fasteners loose.*

<b>NOTICE</b>
Do not torque lower support fasteners #4 and #5 until blade is fully assembled.




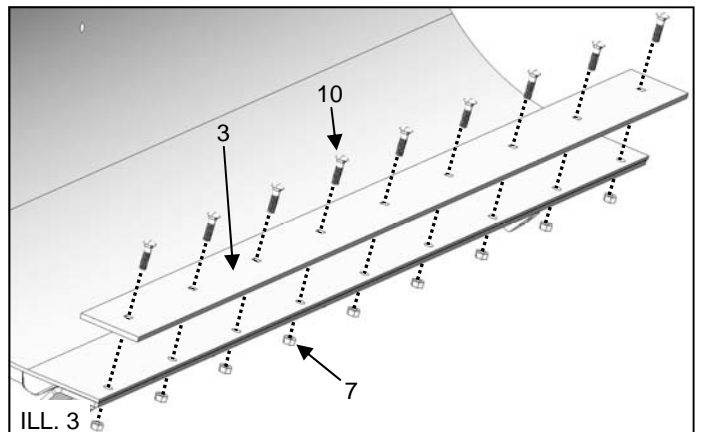
3. Attach the assembled support to the blade, Item #2, at the upper support location using washers, Item #9 and fasteners #8 and #5 as shown in Illustration 2. *Leave fasteners loose.*

<b>NOTICE</b>
Do not torque fasteners #8 and #5 until blade is fully assembled.




4. Place the blade assembly on its back and attach the wear bar, item #3, to the blade and support using fasteners #10 and #7. See Illustration 3. *Torque to specification after all fasteners have been installed.*


 = T
<b>WEAR BAR FASTENER TORQUE:</b> 17ft. lbs. (23 Nm)




5. Torque the lower support fasteners #4 and #5 to specification. Refer to Illustration 1.

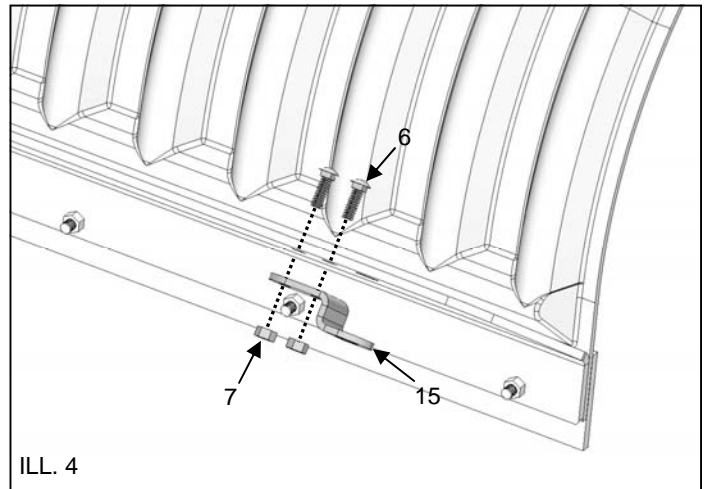
 = T
<b>LOWER SUPPORT FASTENER TORQUE:</b> 30ft. lbs. (41 Nm)

6. Torque the upper support fasteners #5 and #8 to specification. Refer to Illustration 2.

 = T
<b>UPPER SUPPORT FASTENER TORQUE:</b> 17ft. lbs. (23 Nm)

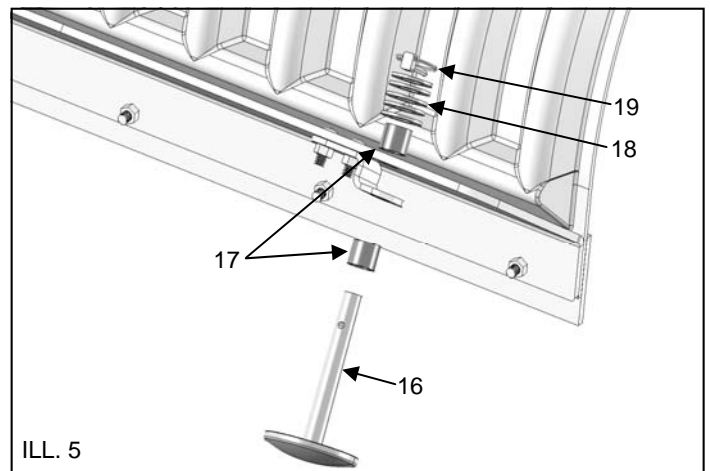
7. Attach skid brackets #15 (x2) to each end of angle #1 using fasteners #6 and #7 as shown in Illustration 4. Torque to specification.

 = T
<b>SKID BRACKET FASTENER TORQUE:</b> 17ft. lbs. (23 Nm)



8. Assemble and install skid component items #16, #17 and #18 as shown in Illustration 5. Fasten with quick pins #19.

**NOTE:** Initial setting of skid height depends on the terrain. Set the skids even with the wear bar cutting edge for level surfaces such as concrete or asphalt. For irregular surfaces, lower the skids to raise the wear bar cutting edge.





## **Limited Lifetime Blade Assembly Warranty**

For the lifetime of the blade assembly from the purchase date, Cycle Country Accessories Corporation will replace for the original purchaser, free of charge, any part or parts when found upon examination by Cycle Country Accessories Corporation to be defective in material, workmanship, or both.

All transportation costs incurred submitting product to Cycle Country for warranty consideration must be borne by the purchaser. If Cycle Country determines that the product must be returned to the factory for credit, please call 1-800-841-2222 for a Return Merchandise Authorization (RMA) number and shipping instructions.

This warranty does not apply to parts that have been damaged by accident, alteration, abuse, improper lubrication, normal wear, or other causes beyond the manufacturer's control. Peripheral products such as engines, electric motors, and actuators may carry an original manufacturer's warranty. Please call Cycle Country Accessories Corporation for more information..

### **CYCLE COUNTRY ACCESSORIES CORPORATION**

**1701 38TH AVE W**

**SPENCER, IA 51301**

**SERVICE: 800-841-2222**

**FAX: 712-262-0248**

**E-MAIL: [ccac@cyclecountry.com](mailto:ccac@cyclecountry.com)**

**WEB: [www.cyclecountry.com](http://www.cyclecountry.com)**