



# Rhino/Teryx Utility Trunk Installation Instructions

Stock No.: 1485/1494

Please read and understand these instructions completely before installation to avoid injury to yourself or damage to the vehicle or accessory.

**Dealer:** These instructions contain important information for future reference and must be given to the customer at time of purchase or upon completion of installation.

## Parts List:

ITEM	PART NAME	DESCRIPTION	QTY.
1	Utility Trunk	Rotomolded utility trunk	1
2	Storage Boxes	Rotomolded storage box with nylon strap and removable tool tray	3
3	Nylon Strap	108" nylon strap with buckle	1
4	T-Handle Knob	M6 x 35mm lg. T-handle knob, stainless steel	4
5	Washer	M6 lock washer, stainless steel	4
6	Washer	M6 x 25mm O.D. fender washer, stainless steel	2
7	Bracket	Strap guide bracket, stainless steel	2
8	U-Style Nut	M6 U-style nut ( <i>Rhino mounting only</i> )	4
9	Adapter Rail	14 gauge, black powder-coated steel Teryx adapter rail ( <i>Teryx mounting only</i> )	2
10	Screw	M8 x 20mm lg. button head cap screw, black oxide ( <i>Teryx mounting only</i> )	4
11	Washer	M8 flat washer, stainless steel ( <i>Teryx mounting only</i> )	4
12	Nut	M8 nylock nut, stainless steel ( <i>Teryx mounting only</i> )	4
13	Spacer	12mm x 15mm installation spacer ( <i>Teryx mounting only</i> )	2

The Utility Trunk has the ability to be mounted on either a Yamaha Rhino or Kawasaki Teryx. Please note the hardware pack contains alternative items labeled to identify which vehicle you intend to mount it to.

## Mounting to a Yamaha Rhino:

- 1) Remove rear fenders to access dump bed as shown in **Image "A"**. It should be noted that the Phillips head plastic fasteners used on the Rhino vehicles require a very light force to unscrew and remove.
- 2) Attach the supplied M6 U-style nuts to the two forward existing hole locations on both sides of vehicle's bed as shown in **Image "B"**.
- 3) Replace rear fender and associated hardware with the exception of the four plastic fasteners replaced by the four M6 U-style nuts.

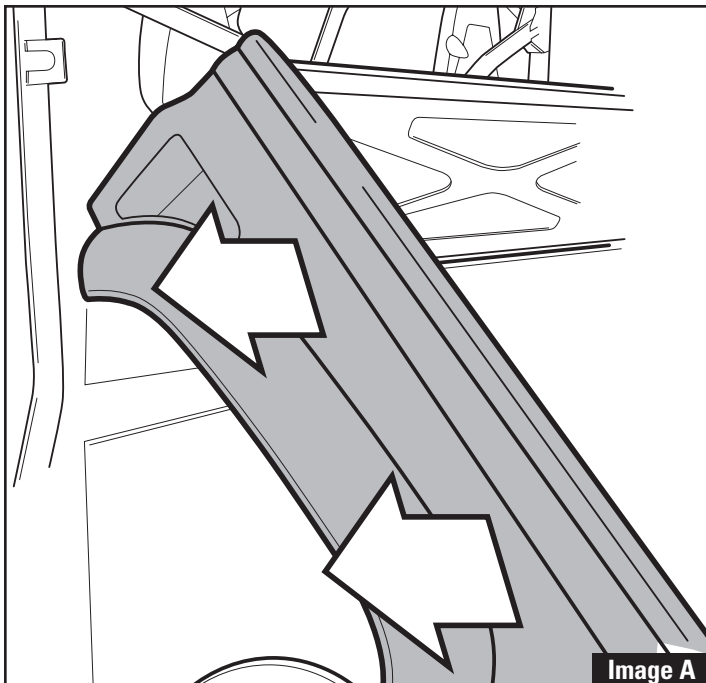


Image A

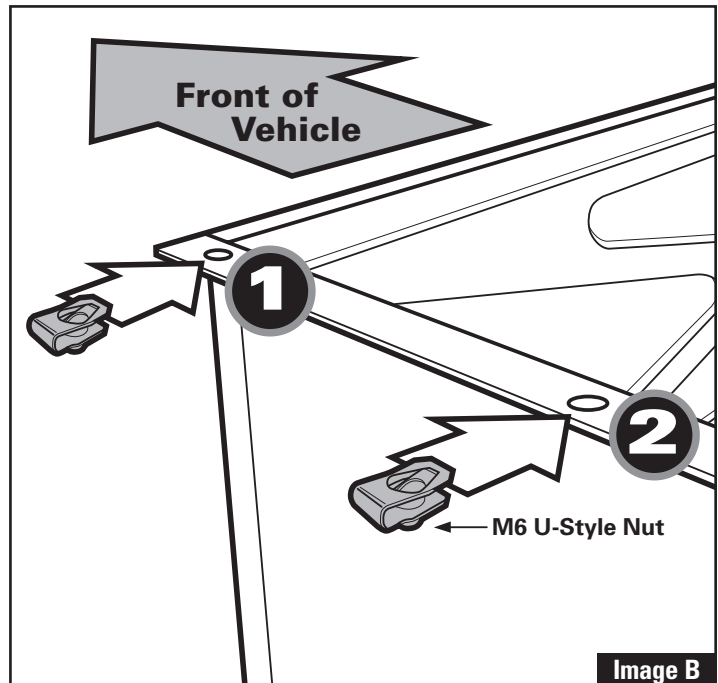
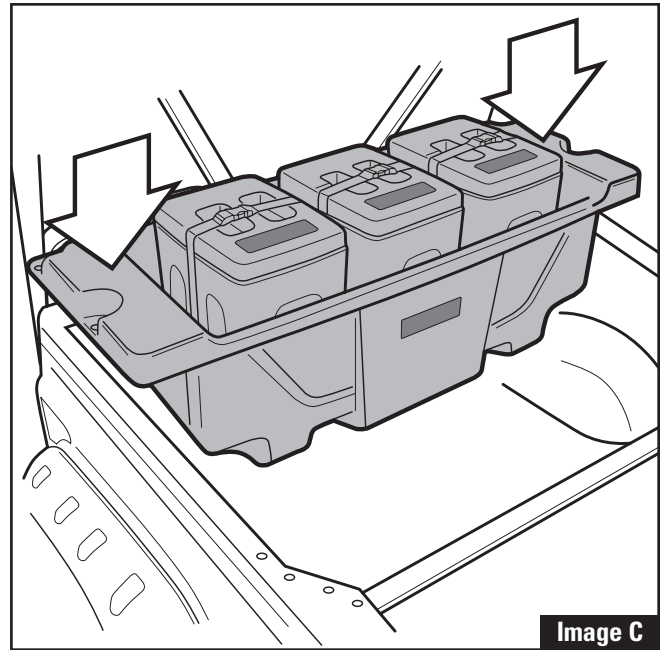
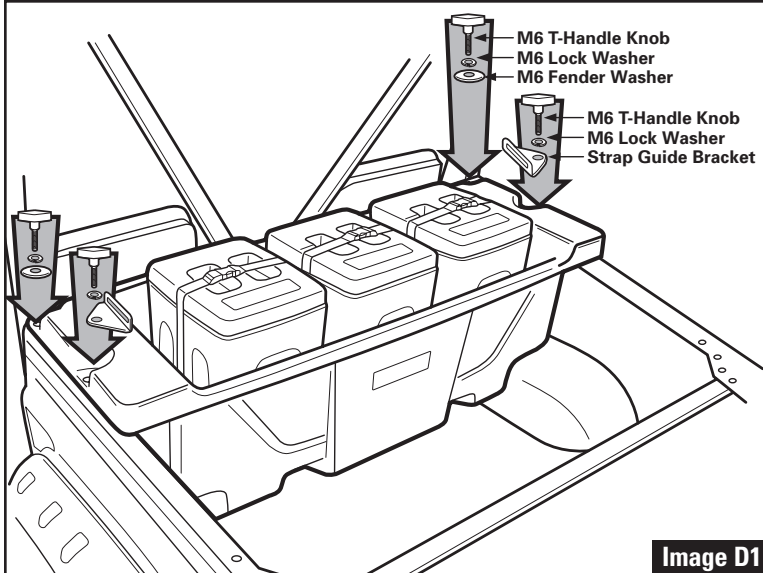


Image B

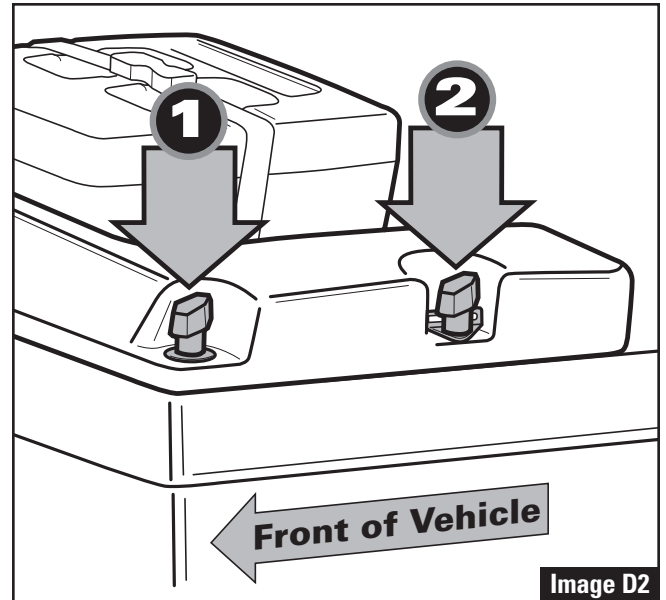
- 4) Position the Utility Trunk in the bed of your vehicle as shown in **Image "C"**. Align the mounting holes with the M6 U-style nuts installed in **Step "2"**.
- 5) Install the supplied M6 x 35mm lg. T-handle knob, M6 lock washers and M6 x 25mm O.D. fender washers in the two forward hole locations (*position 1*) as shown in **Image "D1"** and **"D2"**. Do not overtighten.
- 6) Install the supplied M6 x 35mm lg. T-handle knob, M6 lock washers and strap guide brackets in the two rear hole locations (*position 2*) as shown in **Image "D1"** and **"D2"**. Do not overtighten.



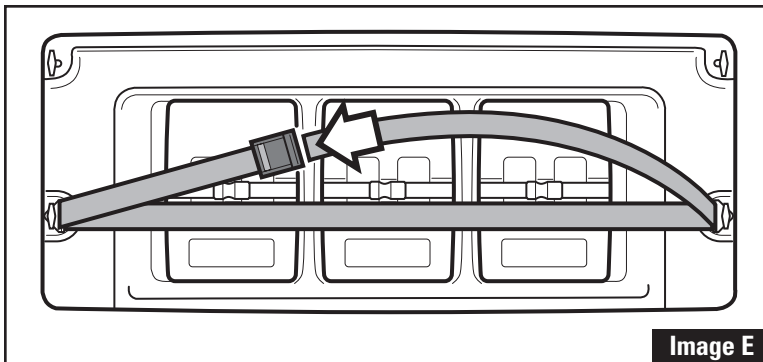
**Image C**



**Image D1**



**Image D2**



**Image E**

- 7) Secure the three storage boxes by threading the supplied nylon strap with buckle through the slots of the two strap guides and then back through the open buckle as shown in **Image "E"**. Draw strap tight and close buckle to secure.
- 8) **Maintenance and Care:** Tighten all hardware after first use and periodically thereafter.

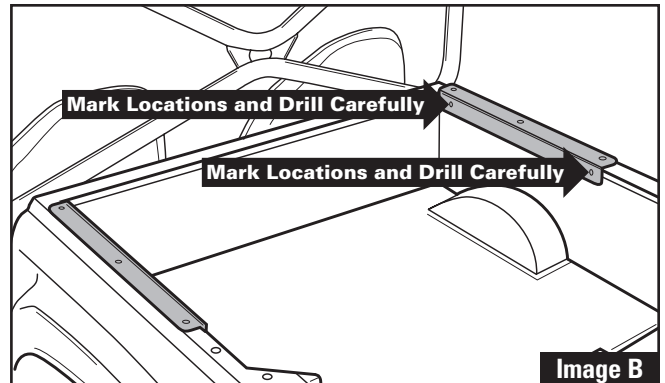
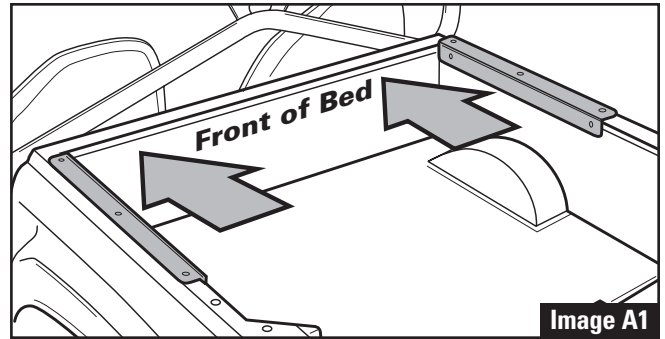
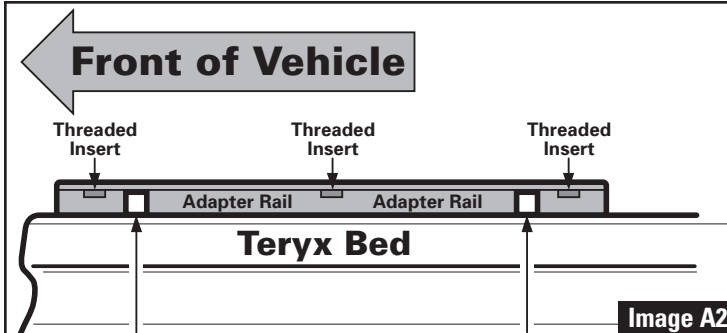
**⚠ WARNING** Failure to follow these installation instructions completely may void any warrantable components and result in property damage or personal injury. NEVER operate or transport UTV with unsecured cargo.

For additional assistance, please contact our customer service department at:

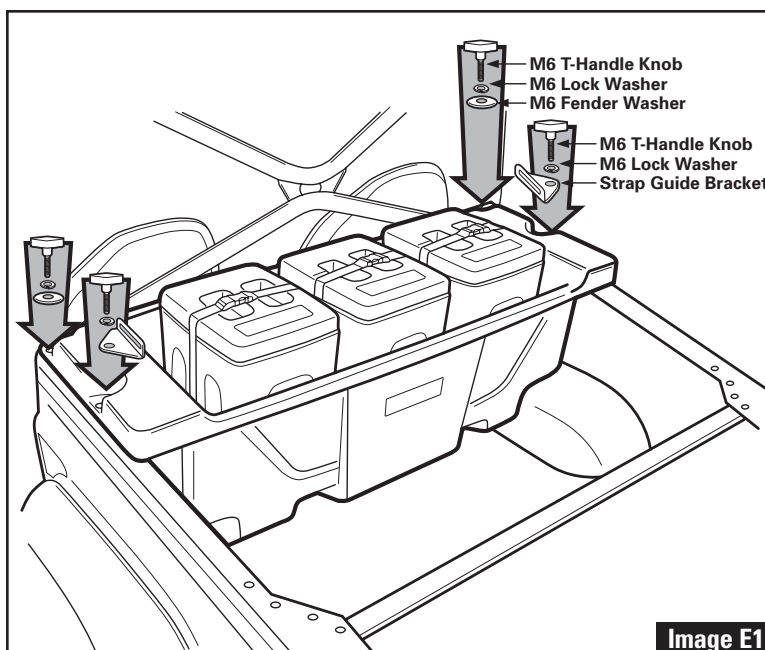
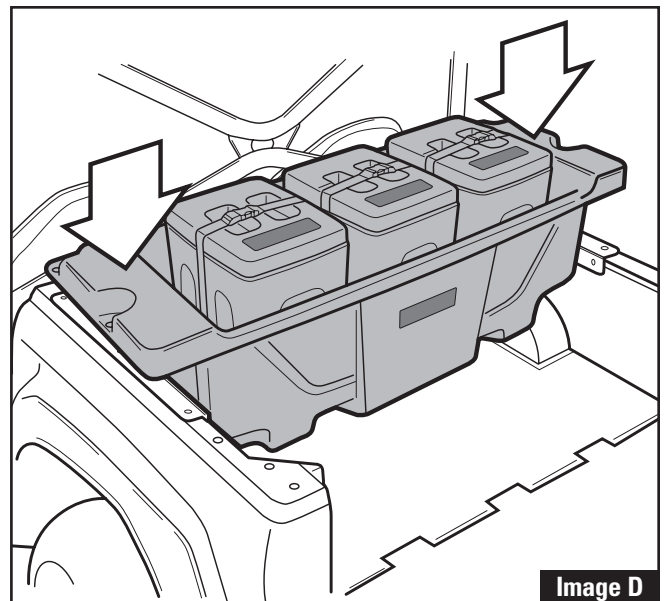
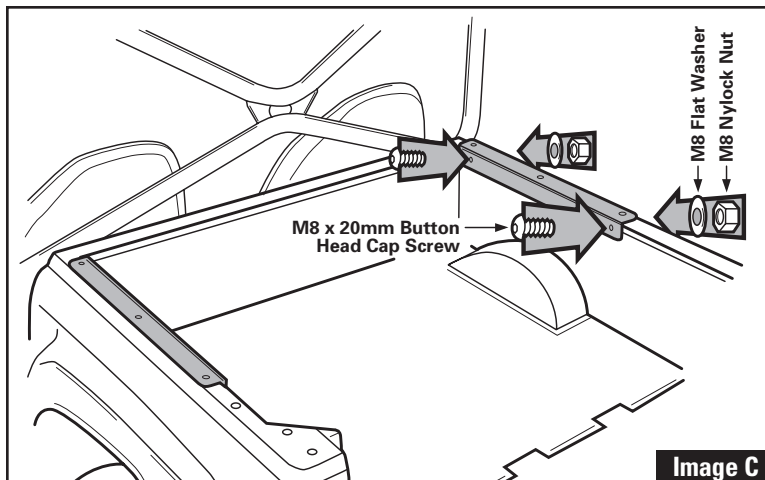
Kolpin Outdoors, Inc. | 205 N. Depot Street | Fox Lake, WI 53933 | 1.877.956.5746 | customerservice@kolpin.com

## Mounting to a Kawasaki Teryx:

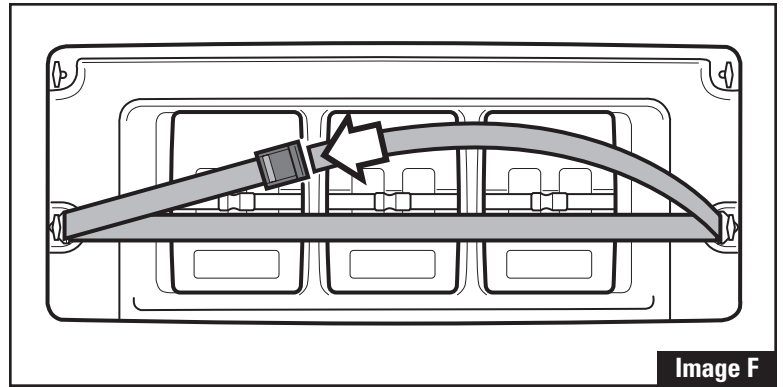
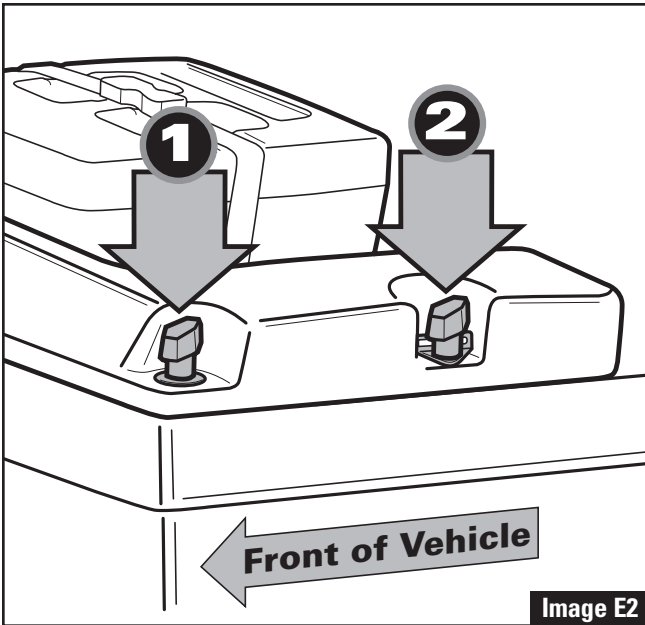
- 1) Place one of the two supplied Teryx Adapter Rails on the edge of your vehicle's bed, directly against the front corner as shown in **Image "A1"**. The correct position of the adapter rail will allow the three holes with the threaded inserts to face upward, and the two unthreaded holes to face inward.
- 2) Using the two supplied white installation spacers, raise the adapter rail off of the edge of the bed as shown in **Image "A2"**.



- 3) Once it is in the correct position, use the adapter rail as a template and mark the location of the two side holes. Remove the adapter rail and installation spacers and carefully drill these two holes using a 11/32" bit making sure to only drill through the inner bed and not through the rear fender. See **Image "B"**.



- 4) Finish mounting the adapter rail to your vehicle utilizing the supplied M8 x 20mm long button head cap screws from the inside of the bed, and the supplied M8 flat washers and nylock nuts from the outside of your bed (**reaching underneath the rear fender**) as shown in **Image "C"**.
- 5) Mount the second adapter rail on the opposite side by repeating **Steps "1"** through **"4"**.
- 6) Position the Utility Trunk in the bed of your vehicle as shown in **Image "D"**. Align the mounting holes with the first two holes in the adapter plate located toward the front of the vehicle.
- 7) Install the supplied M6 x 35mm lg. T-handle knob, M6 lock washers and M6 x 25mm O.D. fender washers in the two forward hole locations (*position 1*) as shown in **Image "E1"** and **"E2"**. Do not overtighten.



- 8) Install the supplied M6 x 35mm lg. T-handle knob, M6 lock washers and strap guide brackets in the two rear hole locations (*position 2*) as shown in **Image "E1"** and **"E2"**. Do not overtighten.
- 9) Secure the three storage boxes by threading the supplied nylon strap with buckle through the slots of the two strap guides and then back through the open buckle as shown in **Image "F"**. Draw strap tight and close buckle to secure.

**10) Maintenance and Care:** Tighten all hardware after first use and periodically thereafter.



**WARNING** Failure to follow these installation instructions completely may void any warrantable components and result in property damage or personal injury. NEVER operate or transport UTV with unsecured cargo.