



RZR Sport Roof Installation Instructions

Stock No.: 2002

Please read and understand these instructions completely before installation to avoid injury to yourself or damage to the vehicle or accessory.

Dealer: These instructions contain important information for future reference and must be given to the customer at time of purchase or upon completion of installation.

Parts List:

ITEM	PART NAME	DESCRIPTION	QTY.
1	Roof	Rotomolded roof w/optional stereo and speaker mounts	1
2	Bracket	Universal mounting bracket	4
3	Screw	M8 x 35mm lg. socket head cap screw, black-coated stainless steel	4
4	Washer	M8 serrated lock washer, black-coated stainless steel	4
5	Nut	M8 nylock nut, black-coated stainless steel	4
6	Screw	M6 x 50mm lg. button head cap screw, stainless steel	4
7	Washer	M6 x 25mm O.D. fender washer, stainless steel	4
8	Washer	M6 x 18mm O.D. fender washer, stainless steel	4
9	Nut	M6 nylock nut, stainless steel	4

- 1) Mount the four sets of brackets on the vehicle's roll cage as indicated in **Image "A1"**. Insert the tongue of the top clamp into the groove of the bottom clamp and close the two halves as indicated in **Image "A2"**. Please note that the tabs of the vehicle's front clamps face outward, and the tabs of the vehicle's rear clamps face inward.
- 2) Continue mounting the clamps on the vehicle's frame by utilizing the supplied M8 x 35mm lg. socket head cap screws, M8 serrated lock washers and M8 nylock nuts as indicated in **Image "A3"**. **Do not tighten at this point.** The brackets will need to be adjusted before this is done.

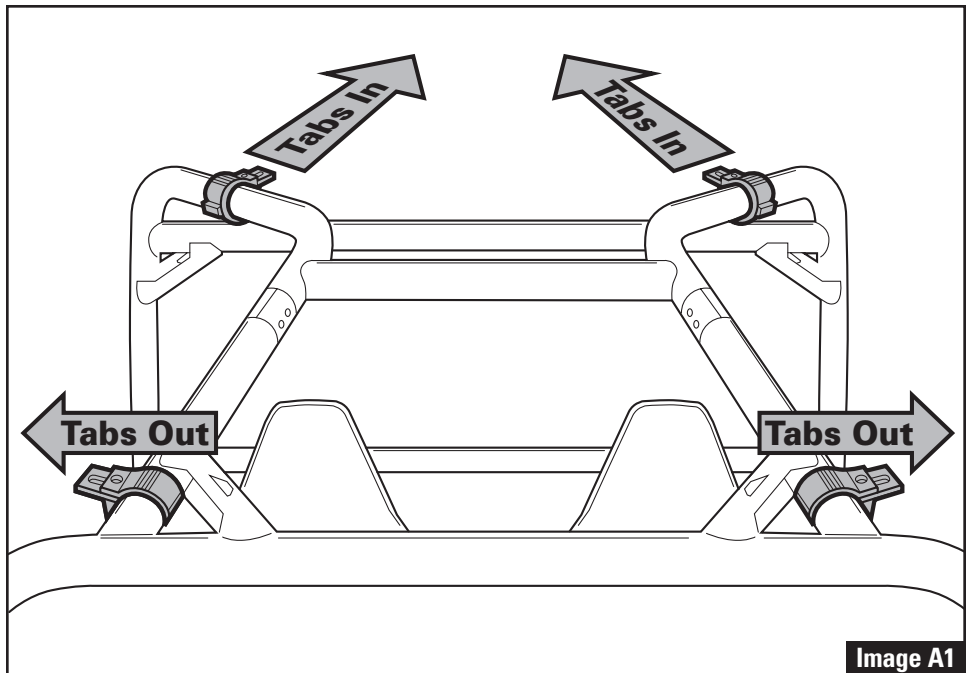


Image A1

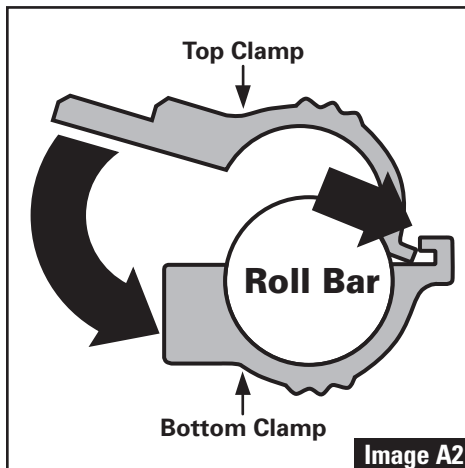


Image A2

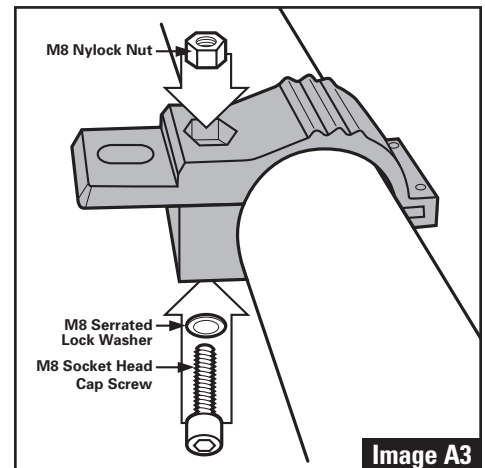


Image A3

- 3) Place the rotomolded roof onto the vehicle by aligning the mounting holes with the holes in the four mounting brackets as shown in **Image "B"**.
- 4) Slide the mounting brackets along the vehicle's frame until the hole in the mounting tab aligns with the mounting holes in the roof as shown in **Image "C"**.
- 5) Once all four brackets are aligned with the mounting holes in the roof, finish tightening the hardware on the clamps. **Do not overtighten screws as this will cause them to break the mounting clamps.**
- 6) Finish mounting the roof by inserting the supplied M6 x 50mm lg. button head cap screws through the M6 x 25mm O.D. fender washers, then continue through the roof and mounting brackets. Secure these screws with the supplied M6 x 18mm O.D. fender washers and M6 nylock nuts on the underside of the mounting brackets as shown in **Image "D"**.

⚠ WARNING Failure to follow these installation instructions completely may void any warrantable components and result in property damage or personal injury. NEVER operate or transport UTV with unsecured cargo.

For additional assistance, please contact our customer service department at:
 Kolpin Outdoors, Inc. | 205 N. Depot Street
 Fox Lake, WI 53933 | 1.877.956.5746
 customerservice@kolpin.com

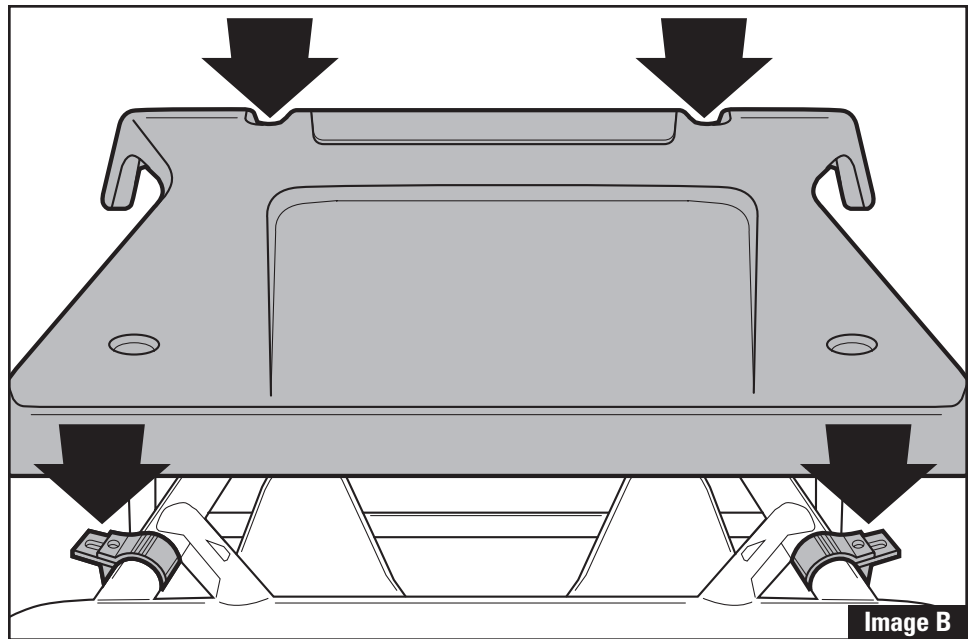


Image B

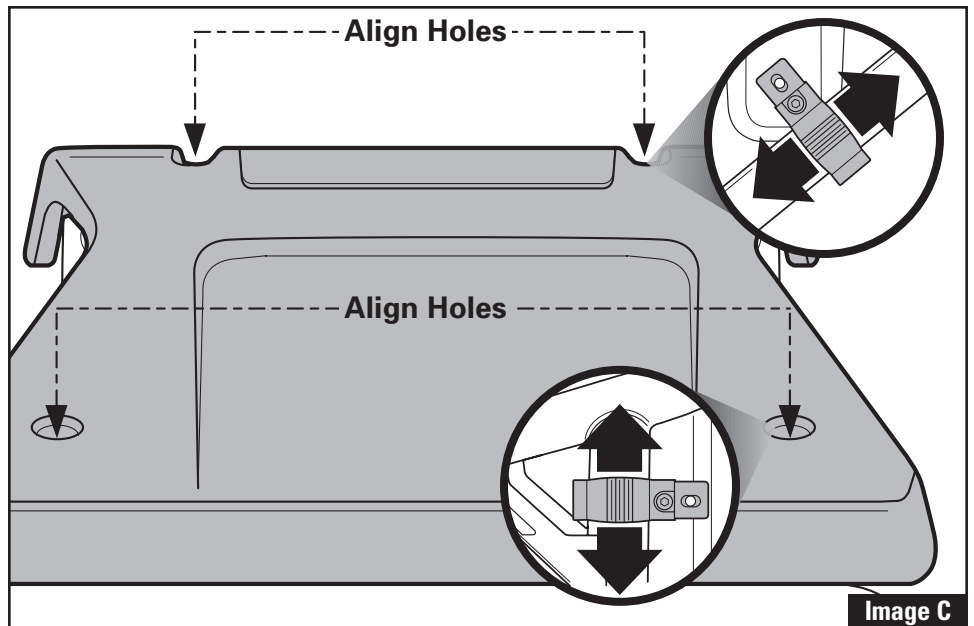


Image C

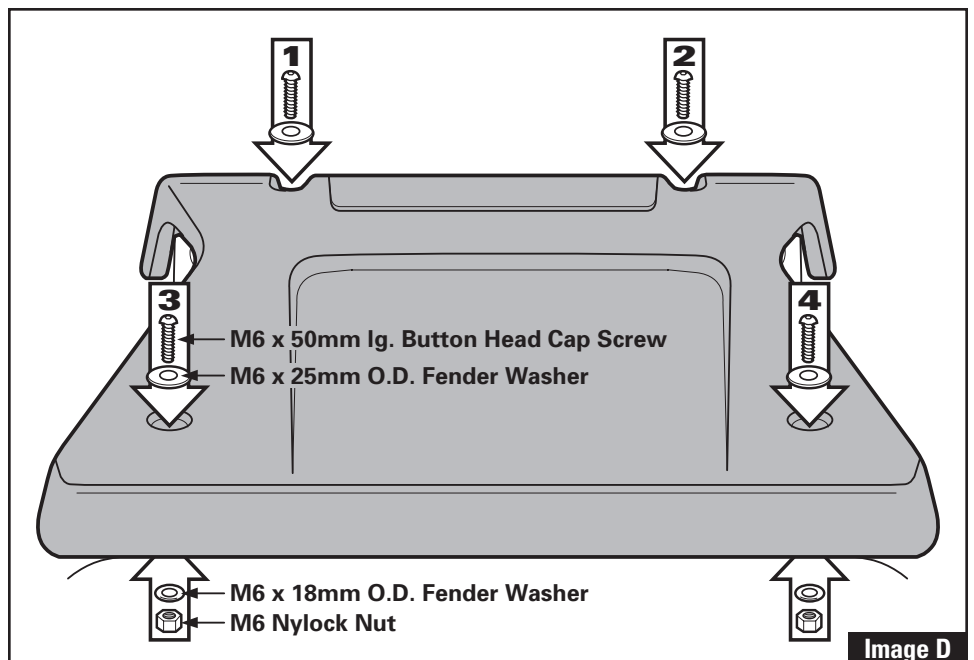


Image D