

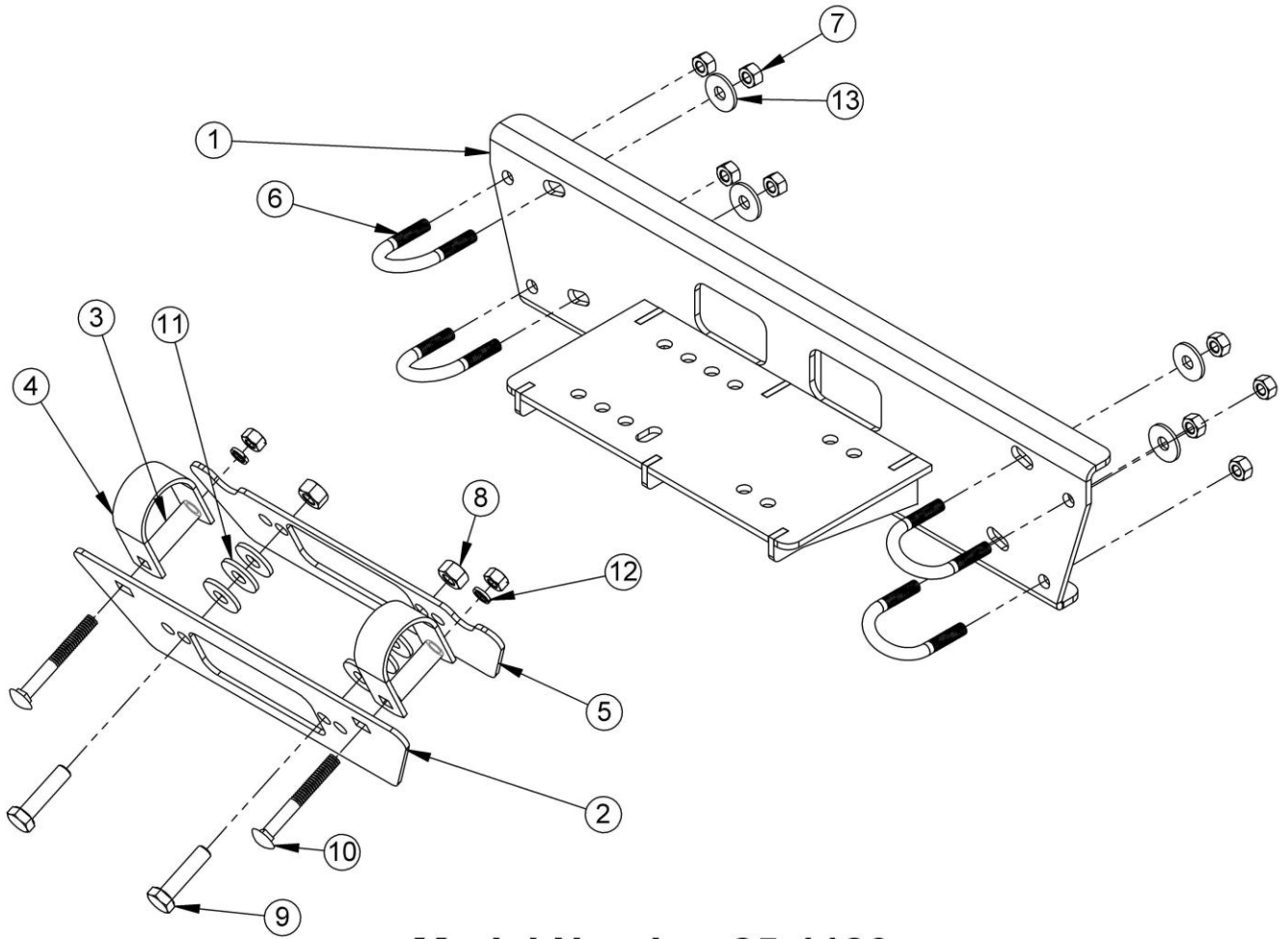


**WINCH
MOUNT KIT
For Honda Big Red**

OWNER'S MANUAL

MODEL NUMBER: 25-1180

**CUSTOMER MUST RECEIVE A COPY OF THIS
OWNER'S MANUAL AT TIME OF SALE**



Model Number 25-1180 Parts List

ITEM NO.	QTY.	PART NO.	DESCRIPTION
1	1	CYC0935	Winch Mount Weldment
2	1	CYC0939	Roller Hawse Mount Plate
3	2	CYC4577	1-5/8" Spacer Black
4	2	CYC4576	U-Clamp 1-3/4" Black
5	1	CYC0940	Roller Hawse Back Plate
6	4	PUR3191	U-bolt 8mm x 35mm x 50mm
7	10	PUR3068	Nylon Lock Nut M8
8	2	PUR3081	Hex Nut M10
9	2	PUR3026	Metric Bolt 10 x 40mm
10	2	PUR3058	Carriage Bolt M8 x 70mm
11	6	PUR3088	Flat Washer 10mm
12	2	PUR3100	8mm Spring Lock Washer
13	4	PUR3087	Flat Washer 8mm

Hardware Package CYC0955

THIS WINCH MOUNTING KIT CAN BE USED TO MOUNT A CYCLE COUNTRY 1500/2500 WINCH OR A WARN 15RT-XT/25RT-XT/30RT-XT/4.0ci WINCH.

All directions referring to right and left are when the rider is sitting in the drivers' seat of the machine. Please Note: The cable clamp, roller hawse, and cable stop are included in Cycle Country winch kits.

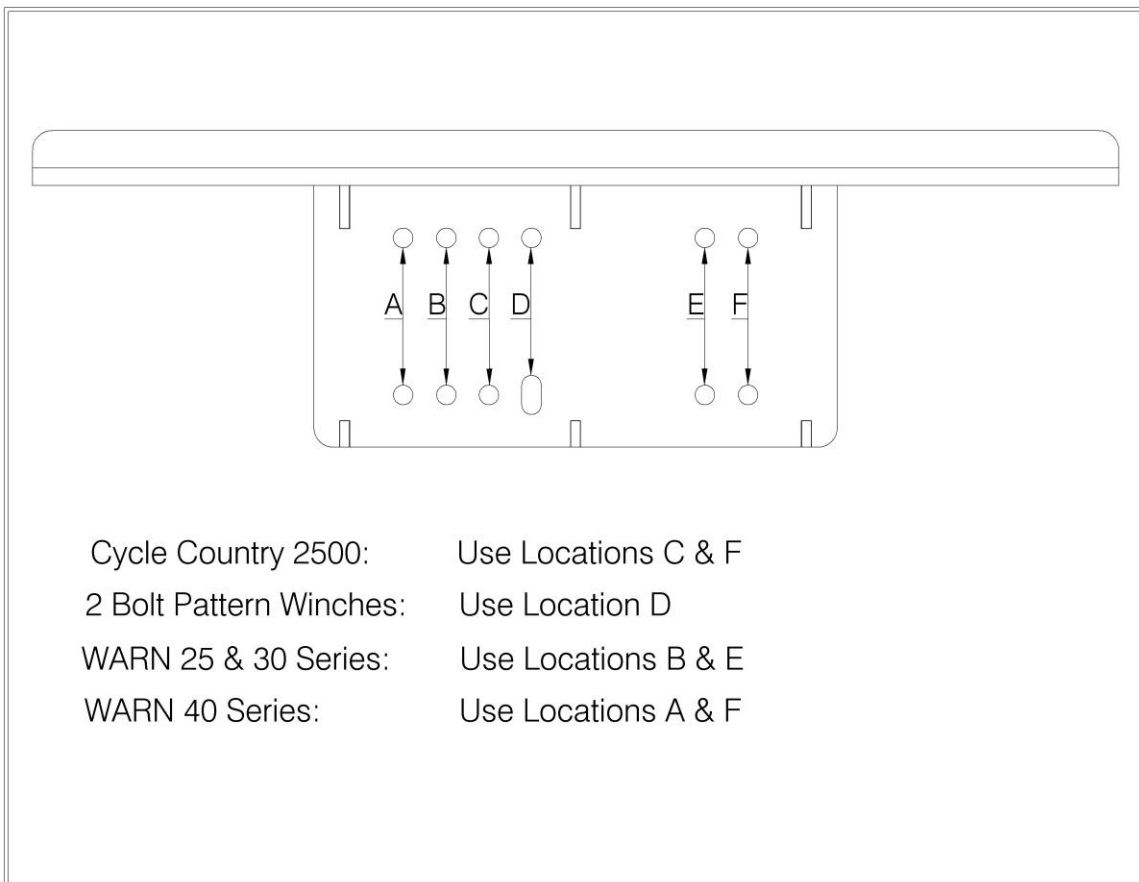
MODEL NUMBER: 25-1180 WINCH MOUNT INSTALLATION INSTRUCTIONS

- 1) Remove the front bumper from the unit.
- 2) The winch mount (Item 1) will be installed on the back side of the front vertical frame tubing. The mount will need to be angled to insert it and then rotated to be positioned into the final mounting location. Insert the winch mount using the picture below for orientation.

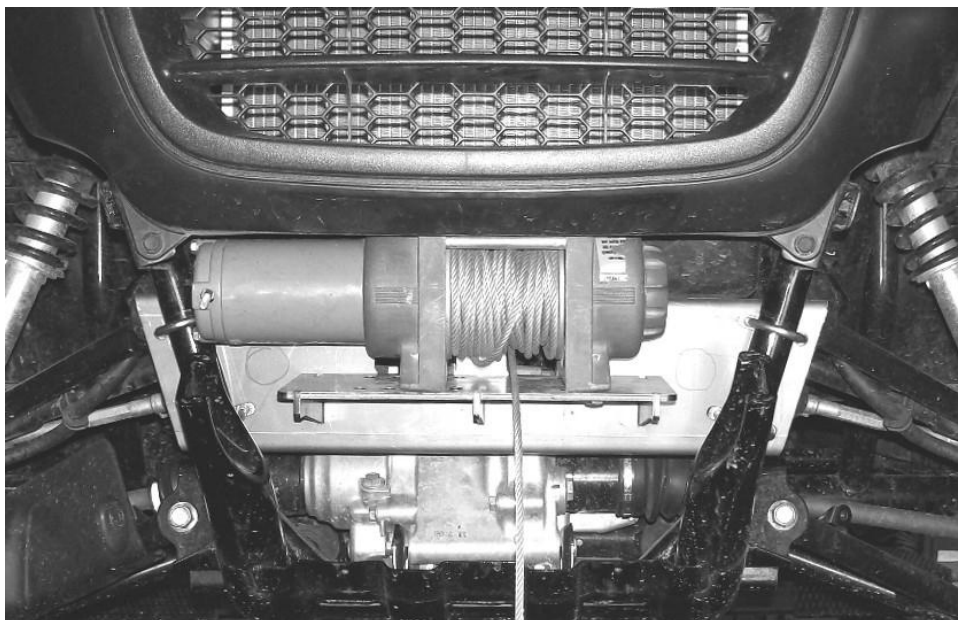


- 3) Install U-bolts, flatwashers and lock nuts to the winch mount but do not tighten at this time.
- 4) Winch installation instructions. Note: Winches using the two bolt pattern will have the motor on the **LEFT** side of the machine and four bolt pattern winches will have the motor on the **RIGHT** side of the machine.
 - a) Position the winch on the winch mount plate but do not attach hardware at this time.
 - b) Depending on what winch is being mounted, now may be a good time to connect any wiring to the winch that may be difficult to access after the winch is mounted. (See step 6 for other wiring instructions.)

- c) Mount the winch to the winch mount plate using hardware supplied with this kit or the winch, using the illustration below as a mounting guide.

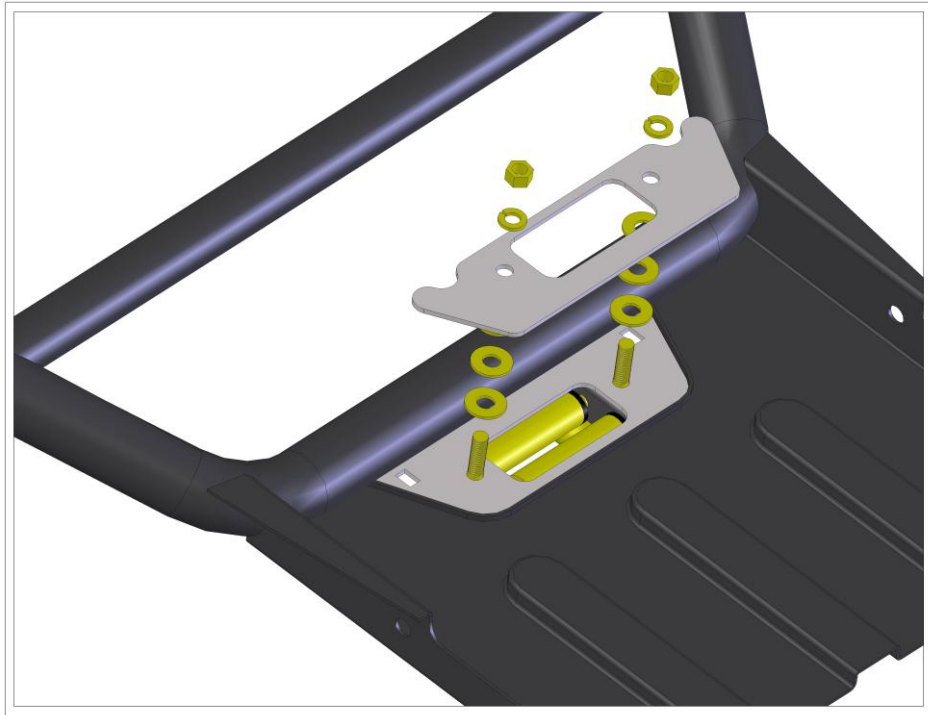


- 5) Lift the winch and winch mount plate assembly up until the top of the winch is approximately 1/4" from the bottom of the plastic radiator shroud and tighten U-bolts to secure it in place.

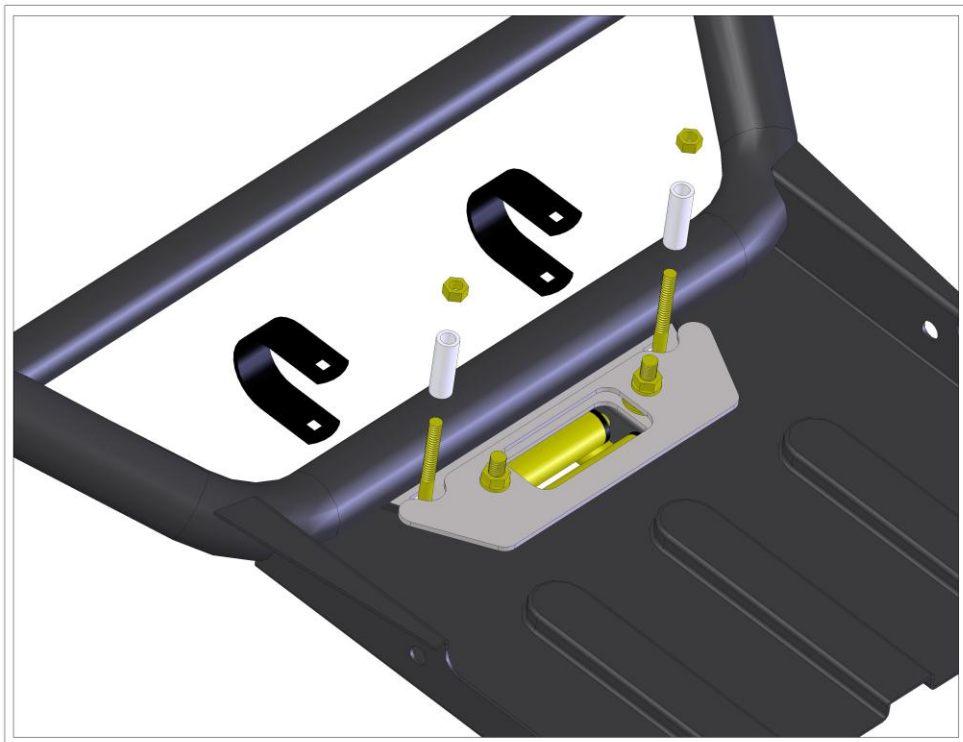


6) Place the front bumper on a work bench or the floor and install the roller hawse to the front bumper as shown in the image below.

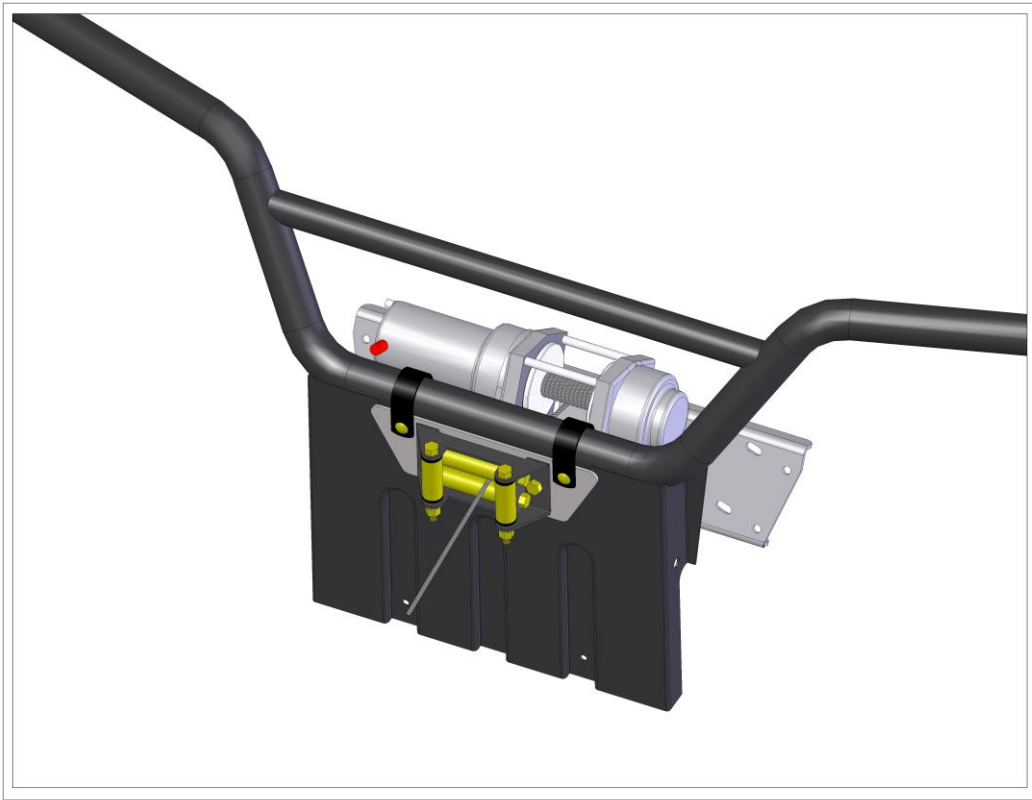
a) Step 1: Assemble the roller hawse, roller hawse plates, bolts, washers and lock nuts.



b) Step 2: Install U-clamps, carriage bolts, spacers and lock nuts.



c) Finished view.



- 7) Feed the winch cable through the roller hawse rollers and reinstall the front bumper to the vehicle. (Depending on how large your cable end is, you may need to remove one of the long rollers and the two short rollers from the roller hawse and feed the winch cable through. Reinstall the rollers and be sure all rollers move freely.)



One Year Limited Warranty

For the period of one (1) year from the purchase date, Cycle Country (a Kolpin Powersports Brand) will replace for the original purchaser, free of charge, any part or parts found upon examination by Cycle Country to be defective in material, workmanship, or both.

All transportation costs incurred submitting product to Cycle Country for warranty consideration must be borne by the purchaser. If Cycle Country determines that the product must be returned to the factory for credit, please call 1-800-841-2222 for a Return Merchandise Authorization (RMA) number and shipping instructions.

This warranty does not apply to parts that have been damaged by accident, alteration, abuse, improper maintenance, normal wear, or other causes beyond the manufacturer's control. In order to protect you and your ATV, certain parts of the plow system and/or hardware are designed to fail when the equipment is over-stressed.

Peripheral products such as engines, electric motors, and actuators may carry an original manufacturer's warranty. Please call Cycle Country for more information.

Cycle Country

A Kolpin Powersports Brand

205 N Depot St.

PO Box 107

Fox Lake, WI 53933

Service: 1-800-841-2222

Fax: 1-800-245-7569

Email: ccac@cyclecountry.com

Web: www.cyclecountry.com