



CanAm Maverick Pro Series Roof Installation Instructions

Stock No.: 4456

Please read and understand these instructions completely before installation to avoid injury to yourself or damage to the vehicle or accessory.

Dealer: These instructions contain important information for future reference and must be given to the customer at time of purchase or upon completion of installation.

Parts List:

ITEM	PART NAME	PART NO.	DESCRIPTION	QTY.
1	Roof	10-4456	CanAm Maverick Pro Series Roof	1
	Hardware Kit	60-4456	CanAm Maverick Pro Series Roof Hardware Kit (includes all items below)	1
2	Clamp	52-0028	2.0" Diameter "P" Type Clamp	8
3	Screw	75-7519	M6 x 1.0 x 25mm Torx Head Screw	8
4	Washer	76-0035	0.25" I.D. x 0.625" O.D. Bonded Sealing Washer	8
5	Washer	76-6329	0.281" I.D. x 0.875" O.D. Fender Washer	8
6	Nut	77-7547	M6 x 1.0 Hex Flange Nylock Nut	8

- 1) Viewing your vehicle from above, and illustrated in **Image A1**, please note the suggested roof mounting points. They are represented with arrows on the cab frame.
- 2) Wrap the eight "P" Type Clamps around the cab frame as indicated in **Image A2**. Please note the direction the tabs on the clamps face, either **INWARD** or **OUTWARD**.
- 3) Place the **Pro Series Roof** on the vehicle with the logo facing toward the front as indicated in **Image A3**.
- 4) Once the roof and clamps are into position, clearly mark the eight (8) recommended mounting points through the holes on tabs of the clamps.

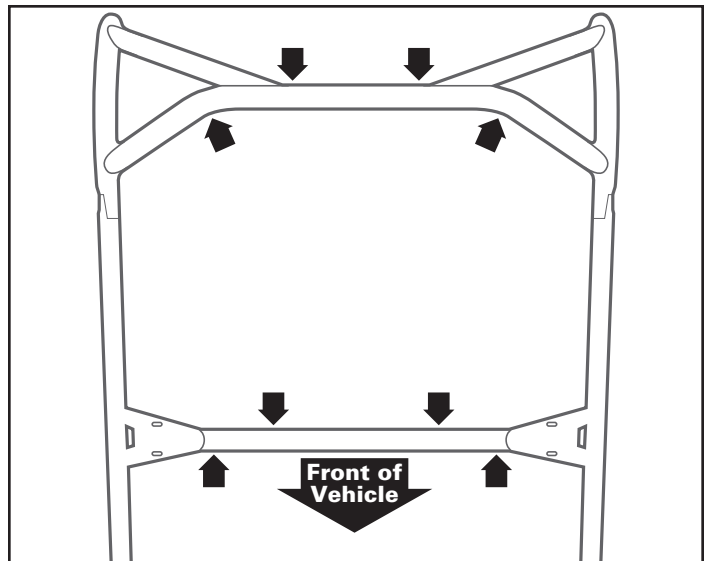


Image A1 – View From Top of Vehicle

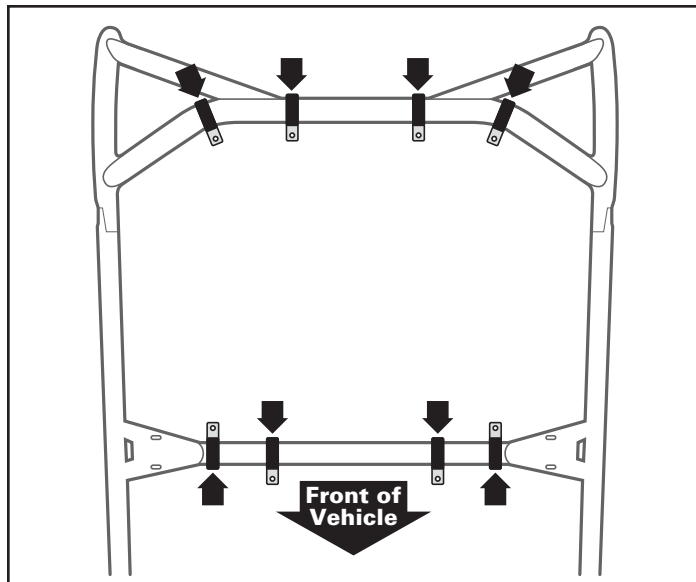


Image A2 – View From Top of Vehicle

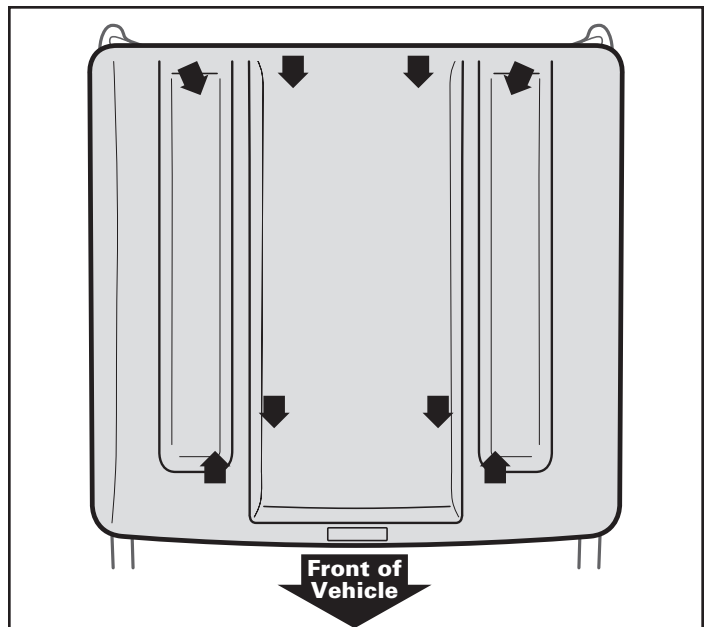


Image A3 – View From Top of Vehicle

- 5) Remove the roof and with an M6 bit, **CAREFULLY** drill the roof in the eight (8) marked locations.
- 6) Place the roof back on the vehicle and align the clamps with the holes you just drilled.
- 7) As illustrated in **Image B**, attach the roof to the clamps using the **M6 Screws, Sealing Washers, Fender Washers** and **M6 Nut**. **DO NOT** completely tighten at this point.
- 8) Check the alignment and positioning of the roof. Once you are satisfied with its location, continue to **COMPLETELY TIGHTEN** all of the hardware.
- 9) **Maintenance and Care:** Tighten all hardware after first use and periodically thereafter.

⚠️ WARNING Failure to follow these installation instructions completely may void any warrantable components and result in property damage or personal injury **NEVER** operate or transport UTV with unsecured cargo. For additional assistance, please contact our customer service department at:

