

Product Installation Instructions

For:

POLARIS ACE

BLACK BIMINI TOP

Part No. 4485



Kolpin Outdoors, Inc.

205 N. Depot Street, Fox Lake, WI

Phone #: (877) 9KOLPIN or (920) 928-3118

www.kolpin.com customerservice@kolpin.com

Before you begin:

- Read and understand all instructions.
- Verify all parts are accounted for.
- Reference to Left and Right are from a driver's perspective.

Tools required:

No Tools Required.

Vehicle Preparation

- Clean the top of the roll cage using soap and water. Make sure to completely dry off before applying Velcro.

Velcro Installation

- Apply Velcro to roll cage as closely as possible as shown in Illustration 1-2 (Back View) and 1-3 (Front View).

Illustration 1-1

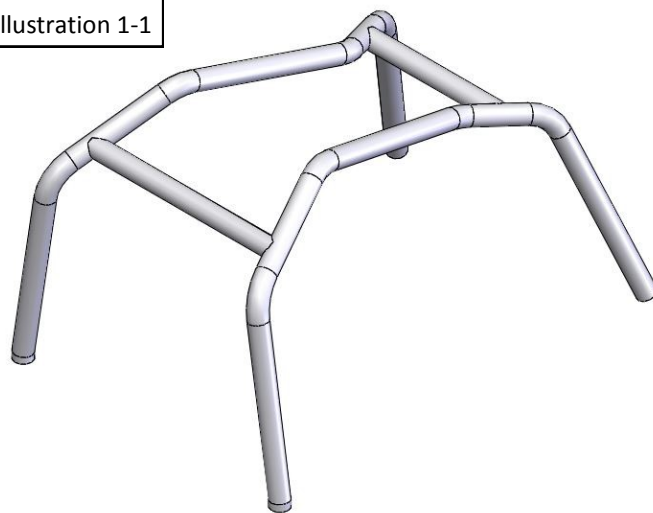
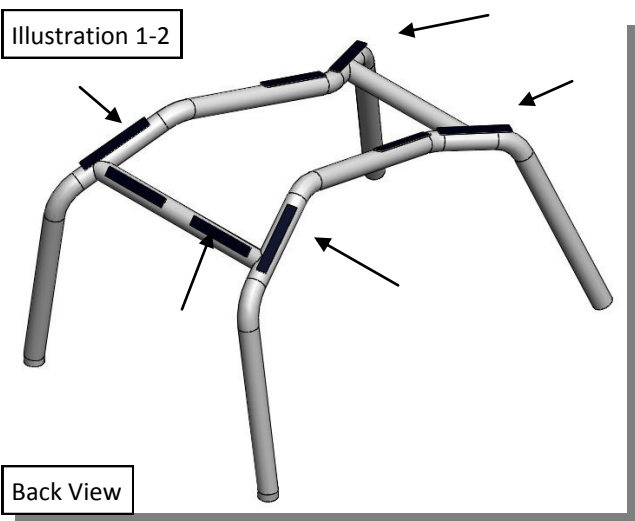
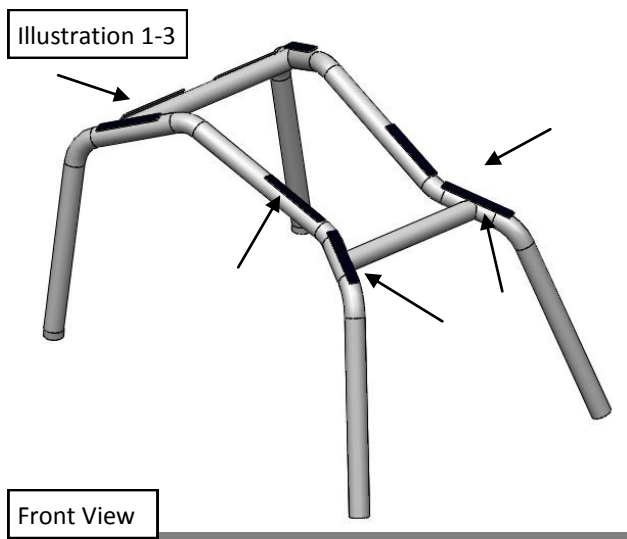


Illustration 1-2



Back View

Illustration 1-3



Front View

Bimini Top Placement

- Place Bimini cover to top of roll cage as shown in Illustration 1-4. The Kolpin Label should be facing the rear of the vehicle. Make sure to stretch cover tightly over Velcro for a nice finish.

WARNING: To prevent damaging or loss of Bimini Top, remove from vehicle while during open transport.

Illustration 1-4

