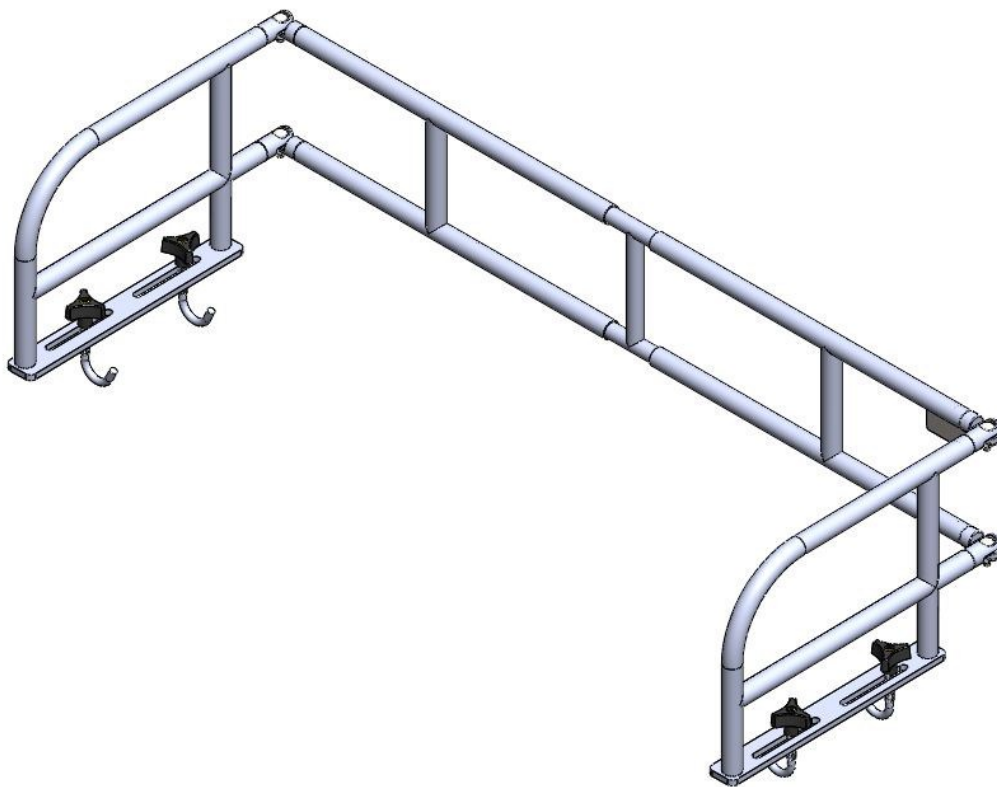


Product Installation Instructions

For:

ATV REAR RACK EXTENDER

Part No. 53600



Kolpin Outdoors, Inc.

205 N. Depot Street, Fox Lake, WI

Phone #: (877) 9KOLPIN or (920) 928-3118

www.kolpin.com customerservice@kolpin.com

Before you begin:

- Read and understand all instructions.
- Verify all parts are accounted for.
- Reference to Left and Right are from a driver's perspective.

Tools required:

- Ratchet and 10mm Socket
- Drill with 3/16" drill bit
- Phillips head screw driver

Install Preparation

- Remove the ATV Rear Rack Extender from packaging. Verify that the Rack Extender is in good condition and that all the parts and hardware are present.

Rack Extender Installation

- Assemble the Rear Rack Extender as shown in Illustration 1-1. Leave out the 4 Machine Screws till later. Once the Rack Extender is assembled, place the assembly on top of the atv rack as shown in Illustration 1-2. Attach the 4 J-Hooks as shown.

Hardware Included (KOL0400)

	Qty.	Part No.
• M6 x 15mm Machine Screw	4	PUR3261
• M8 x 70mm J-Hook	4	PUR3260
• M8 Turn Knob	4	PUR3262
• M6 Nylock Nut	4	PUR3067
• M6 x 12mm OD Flat Washer	4	PUR3269
• M6 x 25mm Carriage Bolt	4	PUR3047

Illustration 1-1

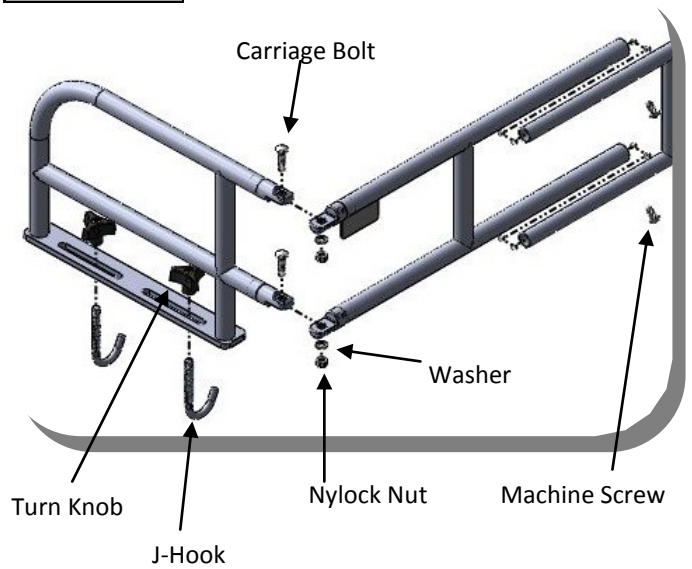
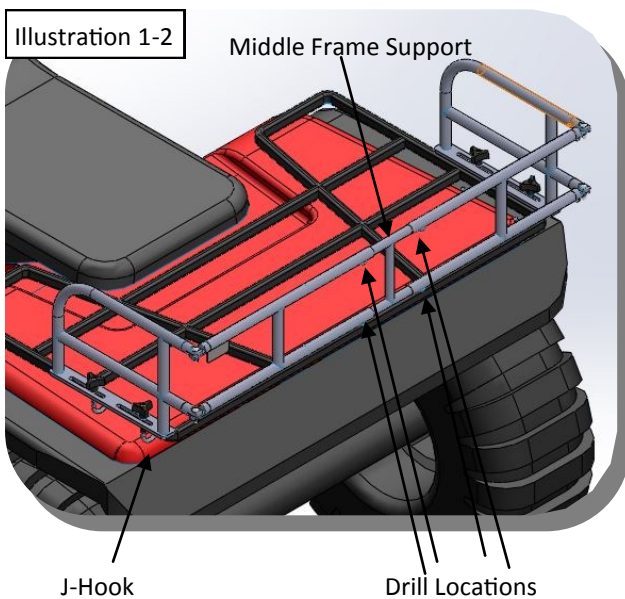


Illustration 1-2



Rack Extender Final Attachment

- Once the J-Hooks are securely tightened down, Center the Middle Frame Support as shown in Illustration 1-2. Locate and drill in the locations of the open holes. Finish by installing the machine screws to secure the frame.

WARNING: Do not over tighten to prevent stripping the hardware.

Illustration 1-3

