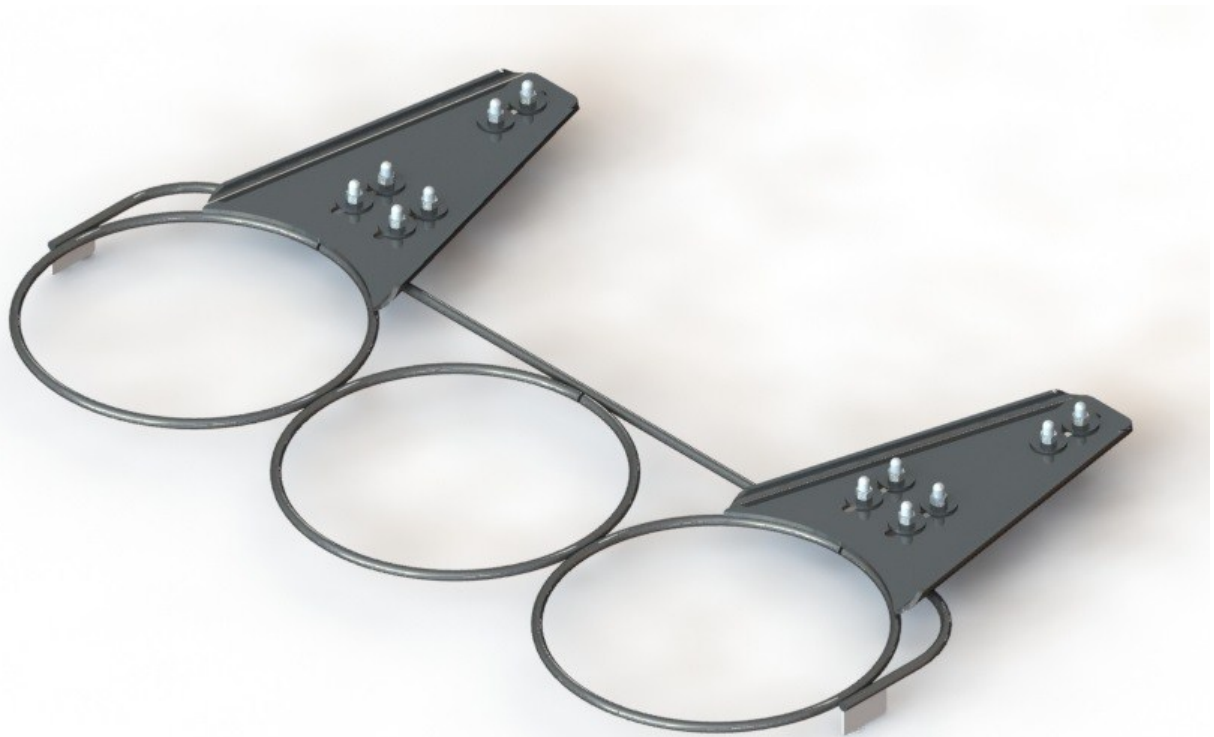


Product Installation Instructions

For:

ATV TRIPLE BUCKET HOLDER

Part No. 53650



Kolpin Outdoors, Inc.

205 N. Depot Street, Fox Lake, WI

Phone #: (877) 9KOLPIN or (920) 928-3118

www.kolpin.com customerservice@kolpin.com

Before you begin:

- Read and understand all instructions.
- Verify all parts are accounted for.
- Reference to Left and Right are from a driver's perspective.

Tools required:

- Ratchet and 13mm Socket

Install Preparation

- Remove the Universal Bucket Holder from packaging. Verify that the Bucket Holder is in good condition and that all the hardware is present.

Hardware Included (KOL0401)

	Qty.	Part No.
• M8 x 30mm x 40mm U-Bolt	6	PUR3277
• M8 Nylock Nut	12	PUR3068
• M8 Wide Flat Washer	12	PUR3093
• Plastic End Cap	12	60216

Bucket Holder Installation

- Position and center the Universal Bucket Holder on the rear rack of the ATV as in Illustration 1-1. Once the Bucket Holder is centered side-to-side on the rack, install the hardware as shown in Illustration 1-2.

Illustration 1-1

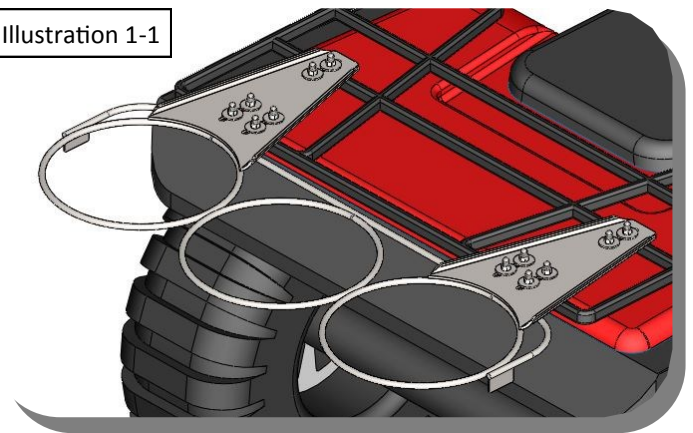


Illustration 1-2

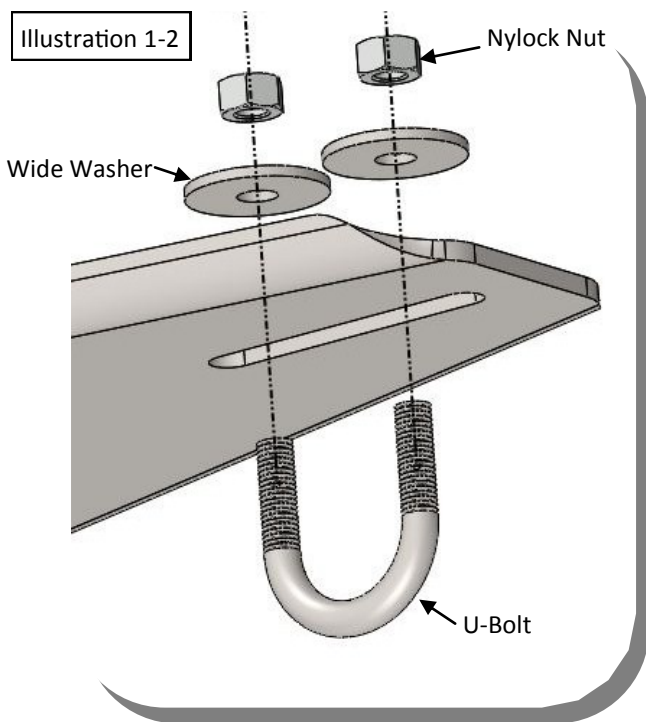
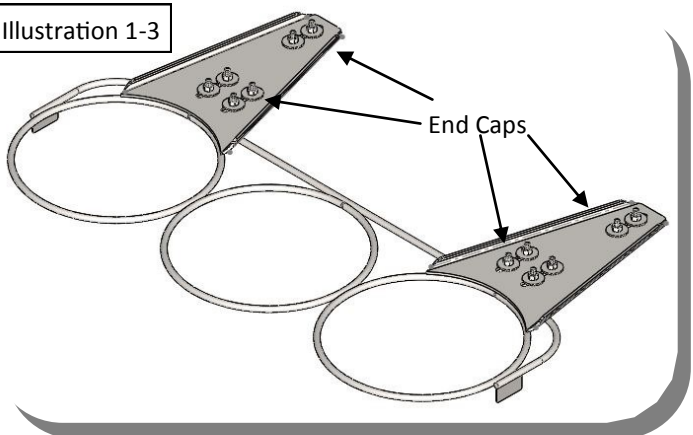


Illustration 1-3



Universal Bucket Holder Final Attachment

- After all the hardware has been tightened, make sure the Bucket Holder is fastened securely to the ATV. Place Plastic End Caps (60216) to open ends of U-Bolts as shown in Illustration 1-3.

WARNING: Do not over tighten hardware to prevent stripping the hardware.