



## 93103 - KXP Box Bracket Mounting Kits

For Kolpin P/N – 93101

### Mounting Kit Assembly:

1. Attach (2) 98500 – KXP Plungers to the (2) Mounting Brackets provided in this kit. (see page 2 for assembly method)
2. Place the plungers and the brackets into highlighted holes as shown in photo below. Snug the KXP plungers.



NO.	Description	QTY.
1	Mounting Bracket	2
2	98500 - KXP Plungers	4
3	1/4" by 3/4" Truss Head Screws	4
4	1/4" Washers	4
5	1/4" Lock Nuts	4

3. Place box between the (2) brackets so the box can be accessed from the driver's seat. Be sure to slide the box forward to ensure your front 2 lock and ride holes are drillable. Once in position, drill the (4) 1/4" holes through the bracket and into the box. Secure using (4) 1/4" x 1/2" Truss Head bolts, washers and lock nuts provided.



4. Remove the Sportsman XP Rack with the box attached. Place the rack upside down to expose the 2 lock and ride holes in the front of the rack. Flip over with the bottom facing up. Find the center of lock and ride holes and drill 2 5/16" holes for KXP Plungers.
5. Remove the box from the OE rack, and attach the KXP plungers directly to the box with the handle and nylon washer on the inside of the box.
6. Reattach the rack to the ATV.
7. Tighten the (4) KXP Plungers securely.

Kolpin now offers many accessory options for Polaris ATV and UTV models. For a complete listing of these KXP accessories and Kolpin's KXP Plungers that are compatible with Polaris® Lock & Ride® System, be sure to check out [www.kolpin.com](http://www.kolpin.com), as new items will be coming soon.



Rev. 1

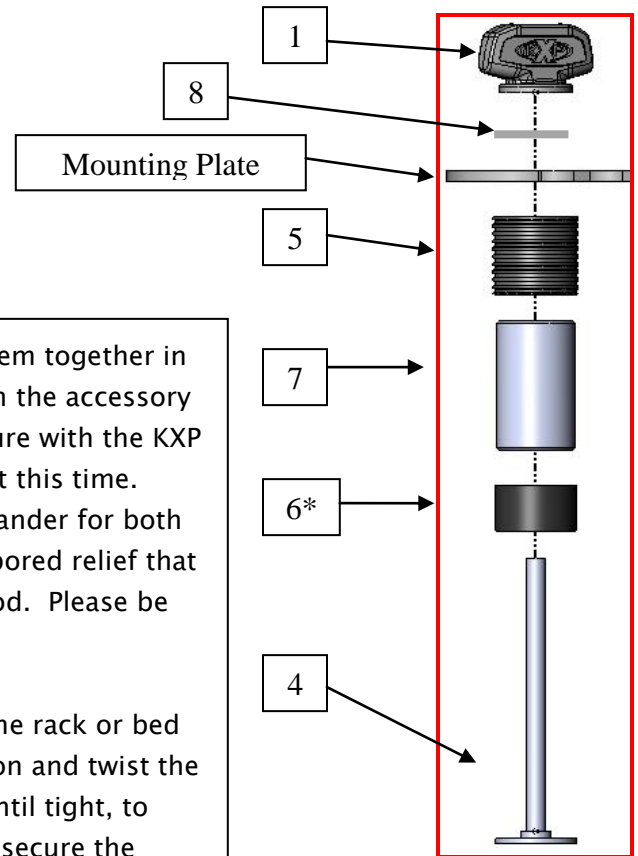
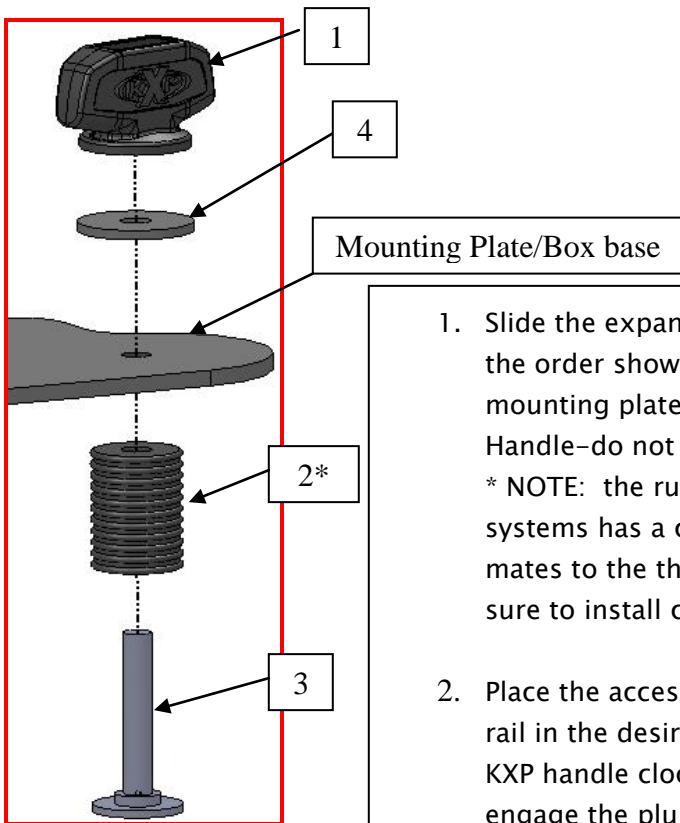
## 98500 / 98510 - KXP Expansion Plungers

### 98500 Parts List: (Fits ATV)

Item	Description	Quantity
1	KXP Handle	1
2	Rubber Expander*	1
3	Threaded Rod	1
4	Nylon Washer (not shown)	1

### 98510 Parts List: (Fits UTV)

Item	Description	Quantity
1	KXP Handle	1
4	Threaded Rod	1
5	Large Rubber Expander	1
6	Small Rubber Expander*	1
7	Large Plastic Spacer	1
8	Nylon Washer	1



- Slide the expansion system together in the order shown through the accessory mounting plate and secure with the KXP Handle—do not tighten at this time.  
\* NOTE: the rubber expander for both systems has a counter-bored relief that mates to the threaded rod. Please be sure to install correctly!
- Place the accessory on the rack or bed rail in the desired location and twist the KXP handle clockwise, until tight, to engage the plunger and secure the accessory. Do Not Over Tighten—secure fastening is possible without over stressing components!

Kolpin now offers many accessory options for Polaris ATV and UTV models. For a complete listing of these KXP accessories and Kolpin's KXP Plungers that are compatible with Polaris® Lock & Ride® System, be sure to check out [www.kolpin.com](http://www.kolpin.com), as new items will be coming soon.