



## 93203 - KXP Box Bracket Mounting Kits

For Kolpin P/N – 93201

### Mounting Kit Assembly:

1. Attach (2) 98500 – KXP Plungers to the (2) Mounting Brackets provided in this kit. (see page 2 for assembly method)
2. Place the plungers and the brackets into the 2 side hole as highlighted in photo below. Snug the KXP plungers.



NO.	Description	QTY.
1	Mounting Bracket	2
2	98500 - KXP Plungers	2
3	1/4" by 3/4" Truss Head Screws	4
4	1/4" Washers	6
5	1/4" Lock Nuts	6
6	Cinch Strap	1
7	Cinch Strap Bracket	1
8	1/4" Carriage Bolt	2

3. Place box between the (2) brackets so the contour in the box goes around the seat cushion. Be sure to slide the box back to until it can slide back any further. The brackets will stop the box from coming to far back on the rack. Once in position, drill the (4) 1/4" holes through the bracket and into the box. Secure using (4) 1/4" x 1/2" Truss Head bolts, washers and lock nuts provided.



4. Next, position the Cinch Strap Bracket on Center of the rear of the box. The bracket should be placed under the ridge on the box as shown top right. Drill holes accordingly and attach the bracket using the Carriage Bolts and hardware supplied.
5. Hook the cinch strap to the bottom side of the rack (just below the warning sticker and above the dry storage box), shown above. Cinch tight. Cut strap and burn edge to keep from fraying.
6. Tighten the (2) 98500 – KXP Plungers securely.

Kolpin now offers many accessory options for Polaris ATV and UTV models. For a complete listing of these KXP accessories and Kolpin's KXP Plungers that are compatible with Polaris® Lock & Ride® System, be sure to check out [www.kolpin.com](http://www.kolpin.com), as new items will be coming soon.



Rev. 1

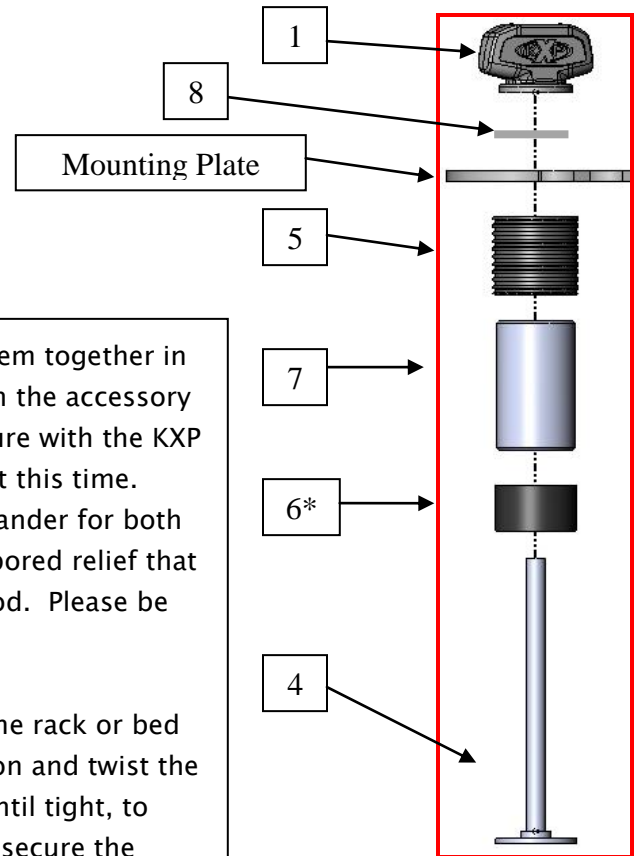
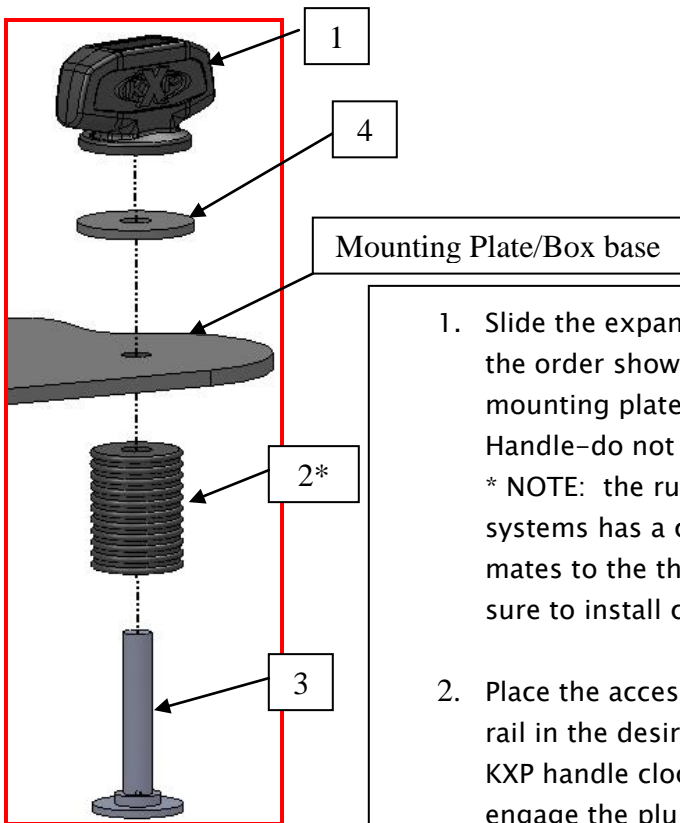
## 98500 / 98510 - KXP Expansion Plungers

### 98500 Parts List: (Fits ATV)

Item	Description	Quantity
1	KXP Handle	1
2	Rubber Expander*	1
3	Threaded Rod	1
4	Nylon Washer (not shown)	1

### 98510 Parts List: (Fits UTV)

Item	Description	Quantity
1	KXP Handle	1
4	Threaded Rod	1
5	Large Rubber Expander	1
6	Small Rubber Expander*	1
7	Large Plastic Spacer	1
8	Nylon Washer	1



- Slide the expansion system together in the order shown through the accessory mounting plate and secure with the KXP Handle—do not tighten at this time.  
\* NOTE: the rubber expander for both systems has a counter-bored relief that mates to the threaded rod. Please be sure to install correctly!
- Place the accessory on the rack or bed rail in the desired location and twist the KXP handle clockwise, until tight, to engage the plunger and secure the accessory. Do Not Over Tighten—secure fastening is possible without over stressing components!

Kolpin now offers many accessory options for Polaris ATV and UTV models. For a complete listing of these KXP accessories and Kolpin's KXP Plungers that are compatible with Polaris® Lock & Ride® System, be sure to check out [www.kolpin.com](http://www.kolpin.com), as new items will be coming soon.