



# Scout Box Installation Instructions

Stock No.: 93400

Please read and understand these instructions completely before installation to avoid injury to yourself or damage to the vehicle or accessory.

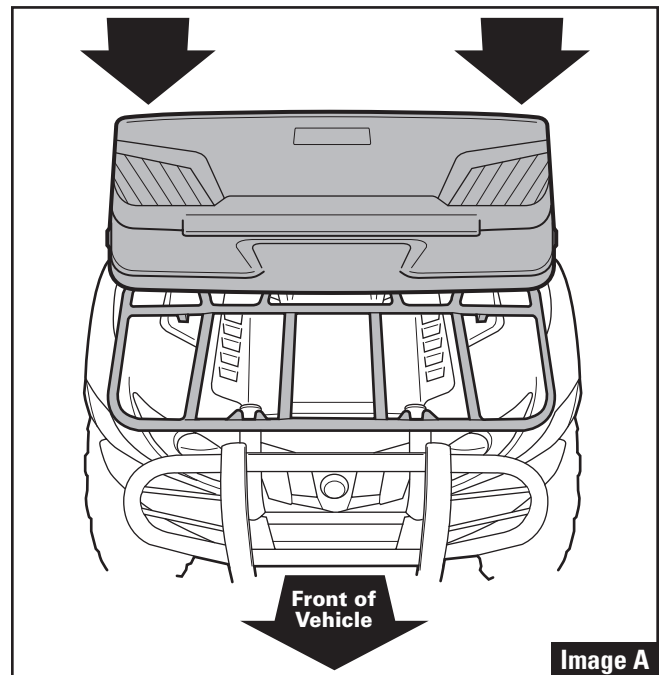
**Dealer:** These instructions contain important information for future reference and must be given to the customer at time of purchase or upon completion of installation.

**Parts List:**

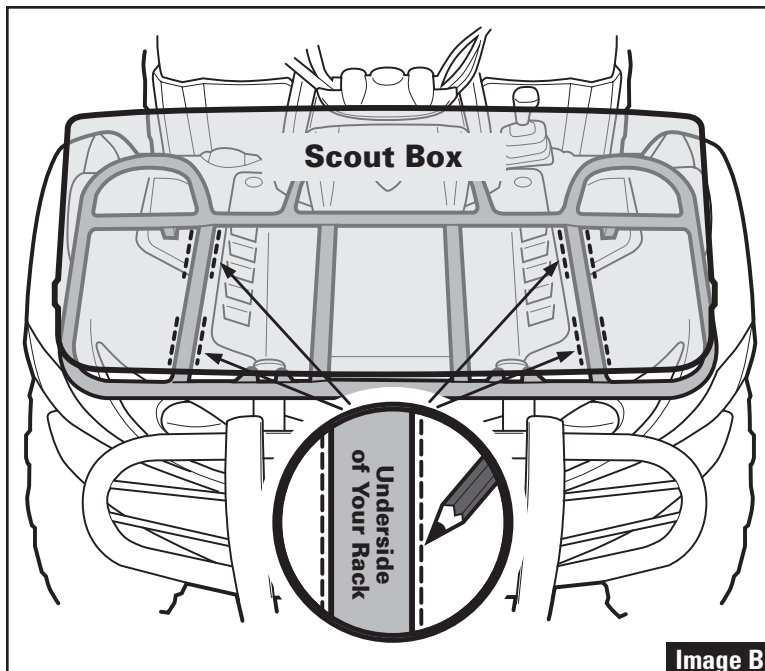
ITEM	PART NAME	PART NO.	DESCRIPTION (60-93400)	QTY.
1	Box	100-93400	Scout Box assembly	1
2	U-Bolt	72-0001	1/4" x 1-1/8" x 2" U-bolt, zinc-plated	4
3	U-Bolt Plate	72-0002	2" x 3/4" U-bolt plate, zinc-plated	4
4	Washer	76-0035	1/4" bonded sealing washer, zinc-plated	8
5	Washer	76-0041	1/4" lock washer, zinc-plated	8
6	Nut	77-0017	1/4"-20 finish nut, zinc plated	8
7	Thread Cap	56-0008	Black thread caps	8

**Please Note:** The Scout Box was designed to fit most ATV rack systems. These particular instructions demonstrate mounting this accessory on a tubular-type rack system. Because rack systems may vary in size and design, use your best judgement in determining where to locate the mounting hardware in order to provide a secure and stable installation.

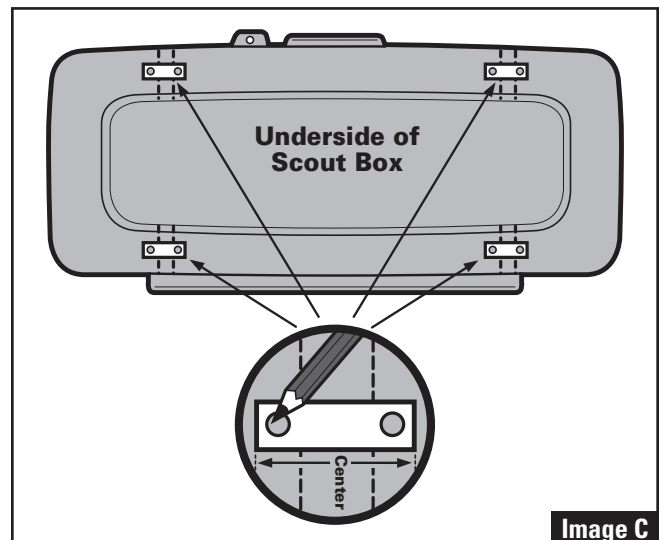
- 1) Position your Scout Box on the front *or* rear rack of your vehicle in your desired location and center as indicated in **Image "A"**.
- 2) Once you have the Scout Box positioned properly, use a pencil to mark four mounting points. Do this by scribing a line at these locations on each side of the rack as indicated in **Image "B"**.
- 3) After you have marked the four mounting locations, remove the Scout Box and carefully lay it upside-down on a level surface. Center one of the supplied U-bolt plates on the lines you have just marked. Using the U-bolt plate as a template, mark the two hole locations with a pencil as indicated in **Image "C"**. Repeat this step in all four of your mounting locations.



**Image A**



**Image B**

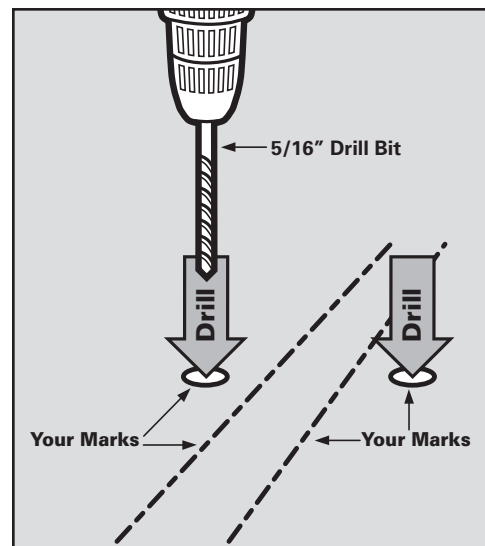


**Image C**

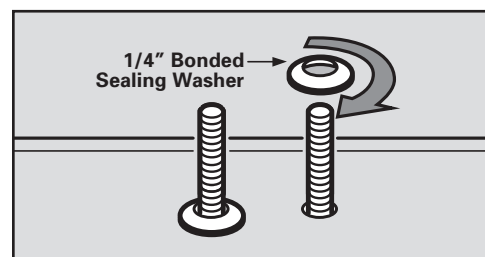
- 4) Once you have accurately marked both hole locations at all four mounting points, carefully use a 5/16" bit to drill all eight holes as indicated in **Image "D"**.
- 5) Place the Scout Box back onto your vehicle's rack while feeding the supplied 1/4" x 1-1/8" x 2" U-bolts around the rack and through the holes you have just drilled in the bottom of the box as indicated in **Image "E"**. Repeat this step in all four mounting locations.
- 6) Place the supplied 1/4" bonded sealing washers over the U-bolts by threading them over both ends as indicated in **Image "F"**. Repeat this step in all four mounting locations.
- 7) Finish mounting the Scout Box by sliding the supplied 2" x 3/4" U-bolt plate over all four U-bolts and fasten with the 1/4" lock washers and 1/4"-20 nuts as indicated in **Image "G"**. Repeat this step in all four mounting locations. **Do not overtighten.**
- 8) Slide the thread caps over the U-bolts as indicated in **Image "H"**. Repeat this step in all four mounting locations.
- 9) **Maintenance and Care:** Tighten all hardware after first use and periodically thereafter.

**⚠ WARNING** Failure to follow these installation instructions completely may void any warrantable components and result in property damage or personal injury. **NEVER** operate or transport ATV with unsecured cargo.

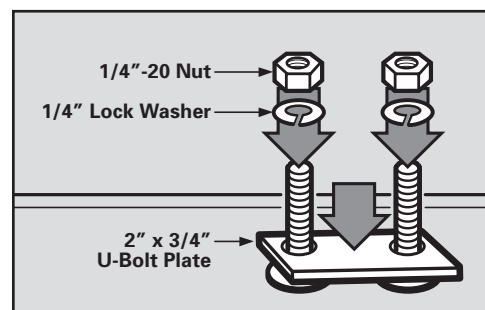
For additional assistance, please contact our customer service department at:  
 Kolpin Outdoors, Inc. | 205 N. Depot Street | Fox Lake, WI 53933  
 1.877.956.5746 | customerservice@kolpin.com



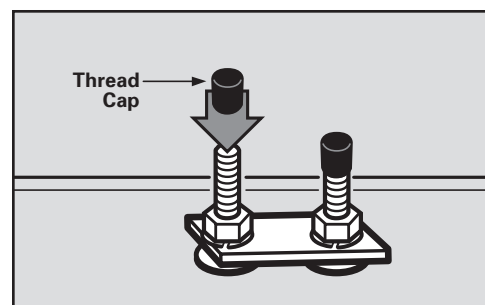
**Image D – View from Underside of Box**



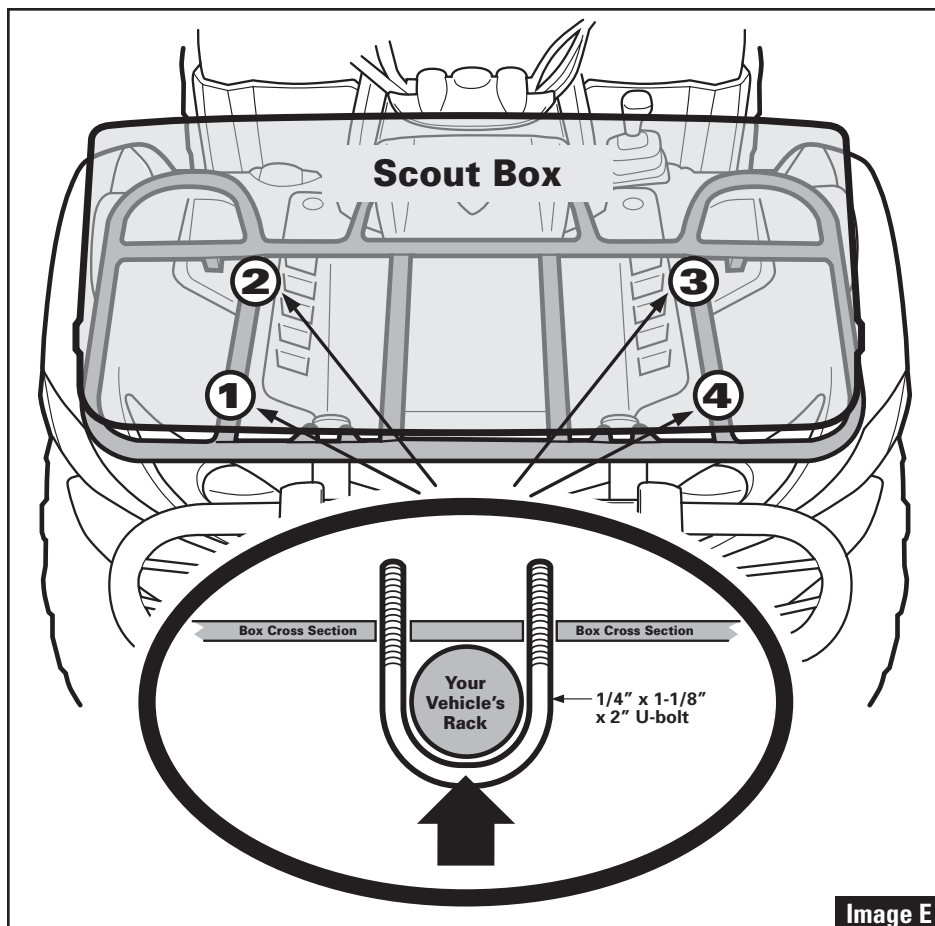
**Image F – View from Inside of Box**



**Image G – View from Inside of Box**



**Image H – View from Inside of Box**



**Image E**