



# Outfitter Box Installation Instructions

Stock No.: 93450

Please read and understand these instructions completely before installation to avoid injury to yourself or damage to the vehicle or accessory.

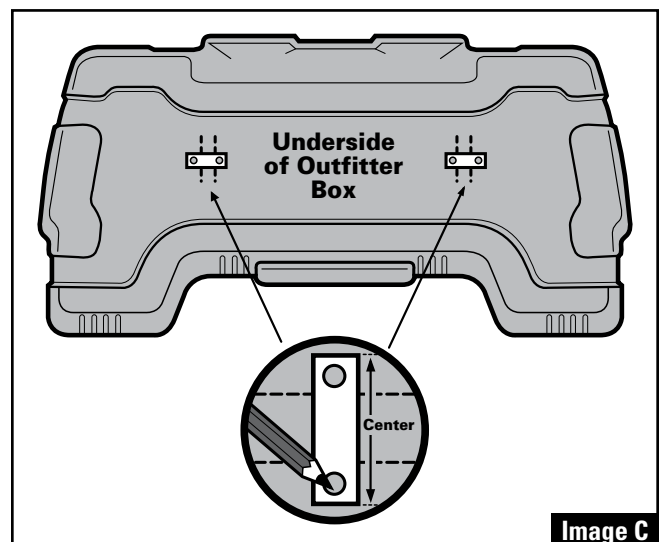
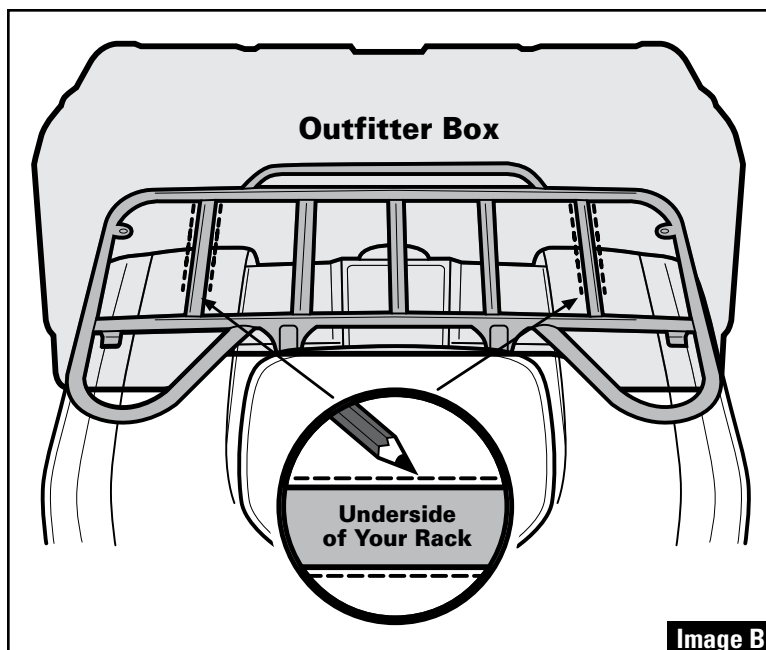
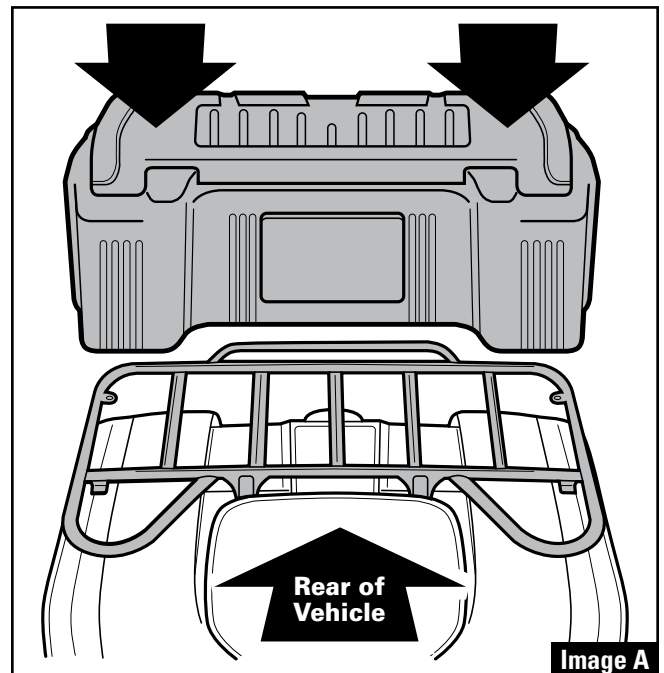
**Dealer:** These instructions contain important information for future reference and must be given to the customer at time of purchase or upon completion of installation.

## Parts List:

| ITEM | PART NAME    | PART NO.  | DESCRIPTION (60-93450)                  | QTY. |
|------|--------------|-----------|---|------|
| 1    | Box          | 100-93450 | Outfitter Box assembly                  | 1    |
| 2    | U-Bolt       | 72-0001   | 1/4" x 1-1/8" x 2" U-bolt, zinc-plated  | 2    |
| 3    | U-Bolt Plate | 72-0002   | 2" x 3/4" U-bolt plate, zinc-plated     | 2    |
| 4    | Washer       | 76-0035   | 1/4" bonded sealing washer, zinc-plated | 4    |
| 5    | Washer       | 76-0041   | 1/4" lock washer, zinc-plated           | 4    |
| 6    | Nut          | 77-0017   | 1/4"-20 finish nut, zinc plated         | 4    |
| 7    | Thread Cap   | 56-0008   | Black thread caps                       | 4    |

**Please Note:** The Outfitter Box was designed to fit most ATV rack systems. These particular instructions demonstrate mounting this accessory on a tubular-type rack system. Because rack systems may vary in size and design, use your best judgement in determining where to locate the mounting hardware in order to provide a secure and stable installation.

- 1) Position your Outfitter Box on the rear rack of your vehicle in your desired location and center as indicated in **Image "A"**.
- 2) Once you have the Outfitter Box positioned properly, use a pencil to mark two mounting points. Do this by scribing a line at these locations on each side of the rack as indicated in **Image "B"**.
- 3) After you have marked the two mounting locations, remove the Outfitter Box and carefully lay it upside-down on a level surface. Center one of the supplied U-bolt plates on the lines you have just marked. Using the U-bolt plate as a template, mark the two hole locations with a pencil as indicated in **Image "C"**. Repeat this step.



- 4) Once you have accurately marked both hole locations at both mounting points, carefully use a 5/16" bit to drill all four holes as indicated in **Image "D"**.
- 5) Place the Outfitter Box back onto your vehicle's rack while feeding the supplied 1/4" x 1-1/8" x 2" U-bolts around the rack and through the holes you have just drilled in the bottom of the box as indicated in **Image "E"**. Repeat this step.
- 6) Place the supplied 1/4" bonded sealing washers over the U-bolts by threading them over both ends as indicated in **Image "F"**. Repeat this step.
- 7) Finish mounting the Outfitter Box by sliding the supplied 2" x 3/4" U-bolt plate over all four U-bolts and fasten with the 1/4" lock washers and 1/4"-20 nuts as indicated in **Image "G"**. Repeat this step in all four mounting locations. **Do not overtighten.**
- 8) Slide the thread caps over the U-bolts as indicated in **Image "H"**. Repeat this step.
- 9) **Maintenance and Care:** Tighten all hardware after first use and periodically thereafter.

**⚠ WARNING** Failure to follow these installation instructions completely may void any warrantable components and result in property damage or personal injury. **NEVER** operate or transport ATV with unsecured cargo.

For additional assistance, please contact our customer service department at:  
 Kolpin Outdoors, Inc. | 205 N. Depot Street | Fox Lake, WI 53933  
 1.877.956.5746 | customerservice@kolpin.com

