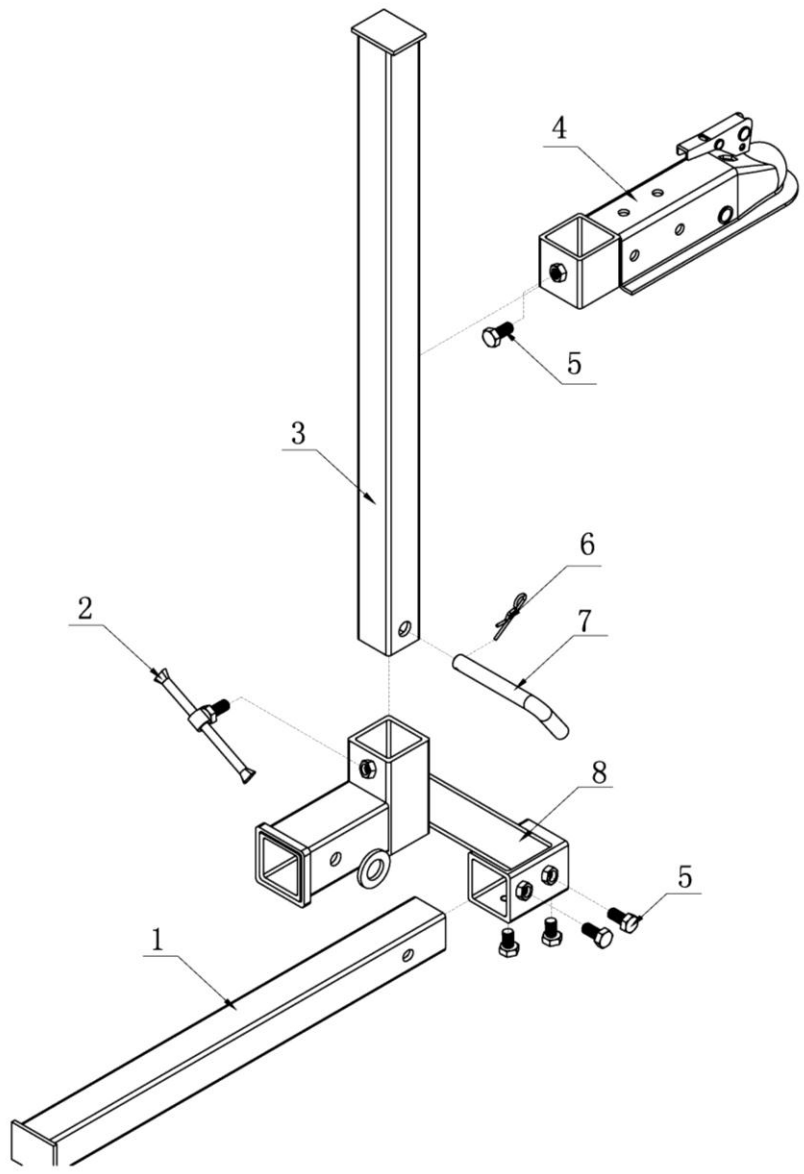




Lock-it Rite ATV System Installation Manual



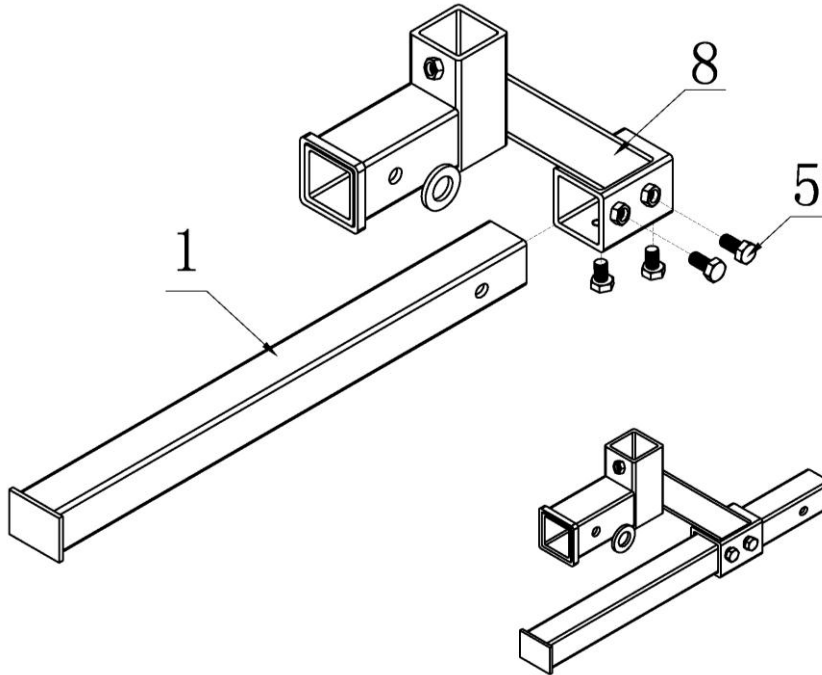


Part	Description	Qty
1	2" Hitch Tube (24") SHORT	1
2	Slip Handle ½" SAE Thread-(KFI/RB)	1
3	2" Vertical Tube (32") LONG	1
4	2" Ball Coupler	1
5	½" SAE thread x 1" Hex Bolt	5
6	R-Pin ø3	2
7	5/8" x 3.00" Bent Hitch Pin	2
8	Housing Weldment	1

Assembly Steps:

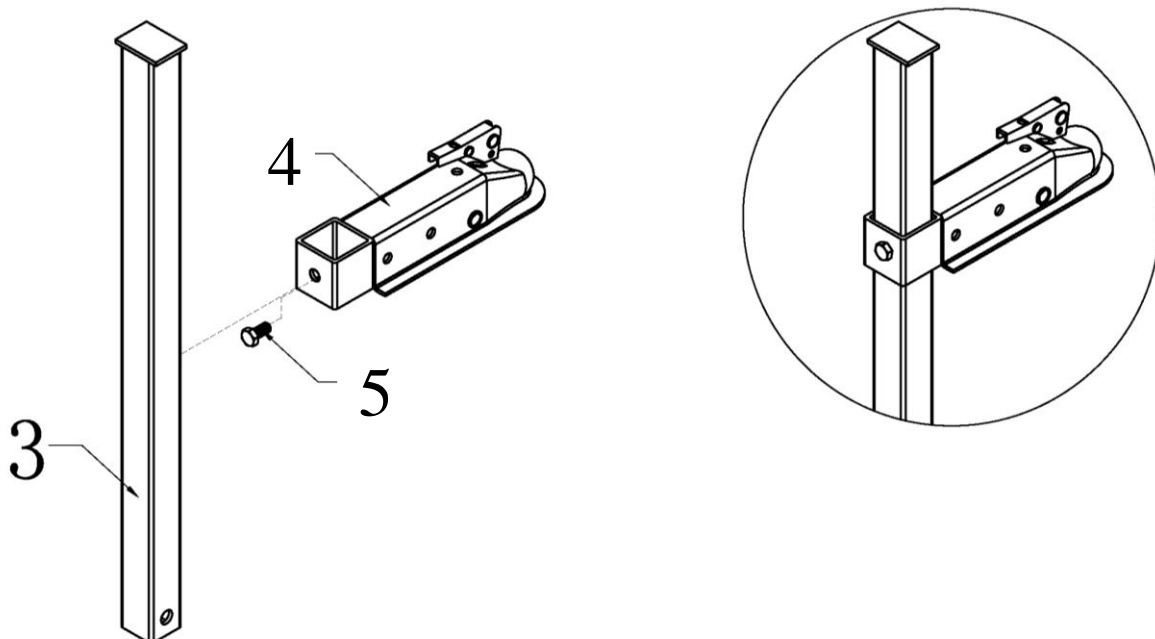
Step 1:

1. Locate (#1) 2" Hitch Tube (short), (#8) Housing Weldment, (#5) 1/2" 2 Hex Bolts.
2. Assemble (#1) 2" Hitch Tube (short), to (#8) Housing Weldment using (#5) 1/2" Hex Bolts.
(See figure)



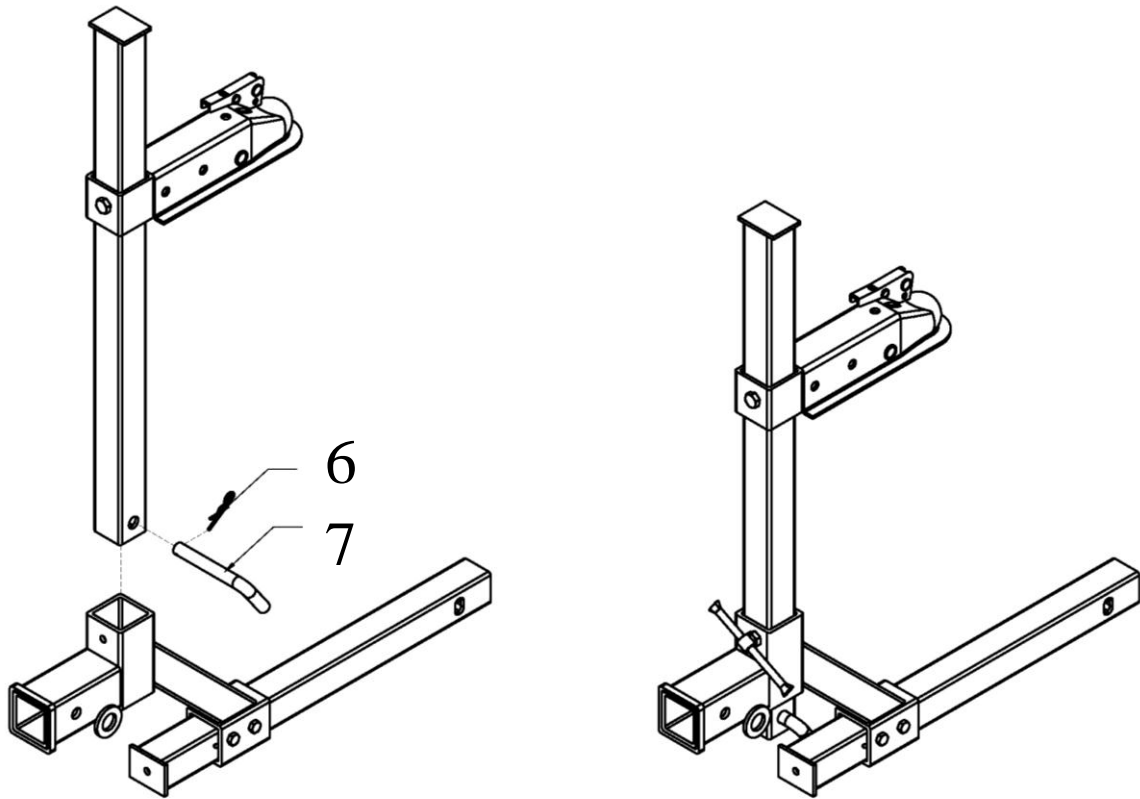
Step 2:

1. Locate (#3) 2" Vertical Tube (long), (#4) 2" Ball Coupler, (#5) 1/2" Hex Bolts.
2. Fix (#4) 2" Ball Coupler and (#3) 2" Vertical Tube using (#5) 1/2" Hex Bolts.
(See figure)



Step 3:

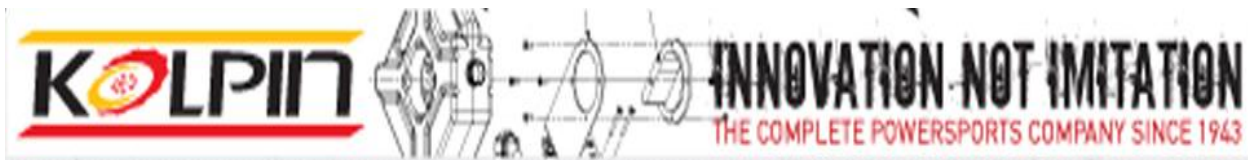
1. Locate (#7) Bent Hitch Pin and (#6) R-Pin
2. Fix Assembled (#3) 2" Vertical Tube (long), and (#4) 2" Ball Coupler to (#8) Housing Weldment Assembly using (#7) Bent Hitch Pin and (#6) R-Pin. (see figure)



NOTE: In some cases the coupler comes with a bolt installed for shipping purposes only. This must be removed before the unit will operate properly! Be sure to adjust the coupler nut to the hitch ball size before operation!!!!

MAINTENANCE

- Make sure all mounting bolts are tight after each use!!!
- Spray with light oil after using in rain or salt to prevent rust.



CORPORATE HEADQUARTERS

P.O. Box 107, 205 N. Depot Street

Fox Lake, Wisconsin 53933-0107

Telephone: (920) 928-3118

Toll Free: (877) 956-5746

Fax: (920) 928-3782

Email: customerservice@kolpin.com

Customer Service: (920) 928-3118, Option 1

Customer Service Fax: (920) 928-3782

For warranty information log into: <http://www.kolpinpowersports.com/warranty.html>

To purchase additional high quality KOLPIN products to enhance your ATV / UTV experience and utilization you can purchase on line or if you need a product today find your nearest dealer at:

<http://www.kolpinpowersports.com>