



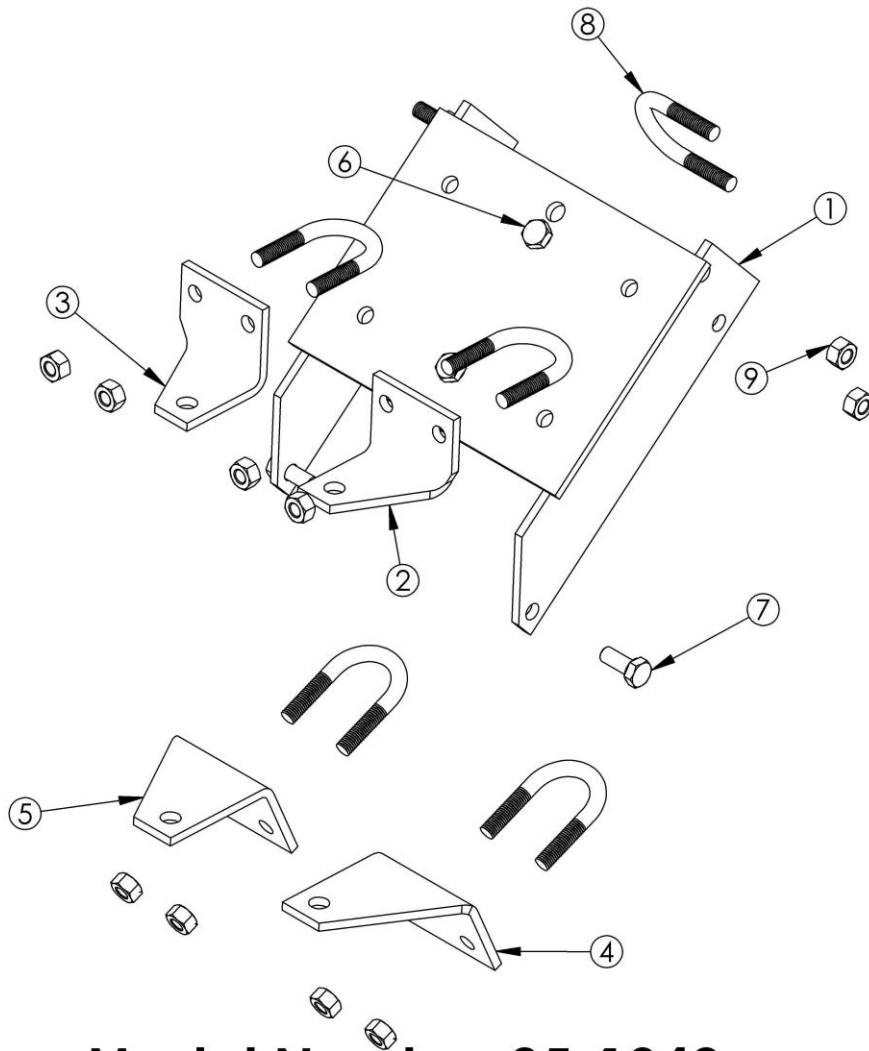
**WINCH**

**MOUNT KIT**  
**For HONDA ATVs**  
**300 4X4**

**Owner's Manual**

**MODEL NUMBER: 25-1042**

**CUSTOMER MUST RECEIVE A COPY OF THIS  
OWNERS MANUAL AT TIME OF SALE**



## Model Number 25-1042 Parts List

ITEM NO.	QTY.	PART NO.	DESCRIPTION
1	1	CYC0903	Winch Mount Plate
2	1	CYC0906	Upper Left Attaching Bracket
3	1	CYC0907	Upper Right Attaching Bracket
4	1	CYC0908	Lower Left Attaching Bracket
5	1	CYC0909	Lower Right Attaching Bracket
6	2	PUR3012	Metric Bolt 8 x 25mm
7	2	PUR3011	Metric Bolt 8 x 20mm
8	6	PUR3190	U-bolt 8mm x 30mm x 50mm
9	14	PUR3068	Nylon Lock Nut M8

## Hardware Package CYC5808

**THIS WINCH MOUNTING KIT CAN BE USED TO MOUNT  
EITHER A CYCLE COUNTRY 1500/2500 WINCH OR A WARN  
2000/2500 WINCH.**

All directions referring to right and left are when the rider is sitting on the machine. Please Note: The cable clamp, roller hawse, and cable stop are included with the winch.

**WINCH MOUNT INSTALLATION INSTRUCTIONS  
Model Number 25-1042**

1. Remove the ATV's front bumper assembly and both inside headlight covers.
2. Mount winch to winch mount plate. Go to instructions for your winch.

**CYCLE COUNTRY 1500  
WINCH MOUNTING INSTRUCTIONS**

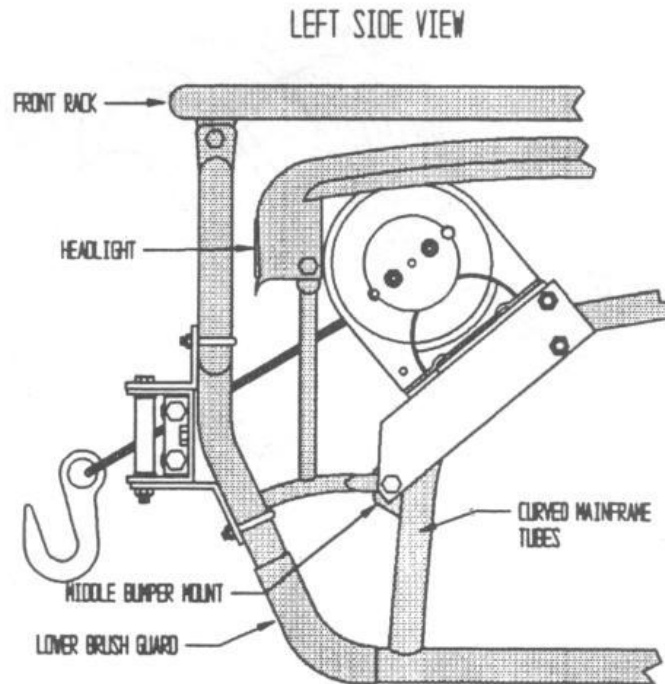
Attach the winch to the winch mount plate using the supplied M8 x 25mm bolts and M8 nylock nuts. The winch mounts in the two centrally located holes on top of the winch mount plate. Be sure to position the motor of the winch towards the **LEFT** side of the ATV. GO TO INSTRUCTION #3.

**CYCLE COUNTRY 2500  
WINCH MOUNTING INSTRUCTIONS**

Using the four bolts PROVIDED WITH THE CYCLE COUNTRY WINCH, mount the winch to the winch mount plate. Be sure that when the winch is mounted on the winch mount plate, the winch motor is to the **RIGHT** side of the machine. GO TO INSTRUCTION #3.

**WARN 2000/2500  
WINCH MOUNTING INSTRUCTIONS**

Using the four bolts PROVIDED WITH THE WARN WINCH, mount the winch to the winch mount plate. Be sure that when the winch is mounted on the winch mount plate, the winch motor is to the **RIGHT** side of the machine. GO TO INSTRUCTION #3.



3. Carefully slide the winch and winch mount plate up underneath of the plastic front so that the winch rests on the two curved mainframe tubes and so that the front hole of the winch mount plate lines up with the middle bumper mount of the ATV.
4. Using the two supplied 8 x 20 metric bolts, hand tighten the front holes of the winch mount plate to the middle bumper mount.
5. Using the supplied U-bolts, attach the winch mount plate to the two curved mainframe tubes. U-Bolts are placed from the **INSIDE**. **Tighten Securely. Remove the 8 x 20 metric bolts from the front holes. Reinstall the front bumper using the 8 x 20 metric bolts in the middle tube mount where the winch mount plate attaches. TIGHTEN ALL BOLTS SECURELY.**
6. Using two U-Bolts, attach the Upper Left and Upper Right Roller Hawse Attaching Brackets to the vertical Bumper Tubes just above the horizontal cross tube of the bumper. **Do not tighten at this time.** Using the remaining two U-Bolts, attach the Lower Left and Lower Right Hawse Attaching Brackets to the vertical Bumper Tubes. **Do not tighten at this time.**
7. Remove the two vertical bolts and rollers and one of the horizontal bolts and roller from Roller Hawse Frame and feed the Winch Cable through the Roller Hawse. Position the Roller Hawse Frame between the Upper & Lower Attaching Brackets and reinstall rollers. Make sure rollers move freely. **Tighten U-Bolts at this time.**

**See Winch Wiring Instructions supplied with the Winch for proper installation.**



## **One Year Limited Warranty**

For the period of one (1) year from the purchase date, Cycle Country (a Kolpin Powersports Brand) will replace for the original purchaser, free of charge, any part or parts found upon examination by Cycle Country to be defective in material, workmanship, or both.

All transportation costs incurred submitting product to Cycle Country for warranty consideration must be borne by the purchaser. If Cycle Country determines that the product must be returned to the factory for credit, please call 1-800-841-2222 for a Return Merchandise Authorization (RMA) number and shipping instructions.

This warranty does not apply to parts that have been damaged by accident, alteration, abuse, improper maintenance, normal wear, or other causes beyond the manufacturer's control. In order to protect you and your ATV, certain parts of the plow system and/or hardware are designed to fail when the equipment is over-stressed.

Peripheral products such as engines, electric motors, and actuators may carry an original manufacturer's warranty. Please call Cycle Country for more information.

**Cycle Country**  
**A Kolpin Powersports Brand**  
**205 N Depot St.**  
**PO Box 107**  
**Fox Lake, WI 53933**  
**Service: 1-800-841-2222**  
**Fax: 1-800-245-7569**  
**Email: [ccac@cyclecountry.com](mailto:ccac@cyclecountry.com)**  
**Web: [www.cyclecountry.com](http://www.cyclecountry.com)**