



1701 38TH AVE W
PO BOX 257
SPENCER, IA 51301
PHONE: 712-262-4191
FAX: 712-262-0248
SERVICE: 800-841-2222
E-MAIL: ccac@cyclecountry.com
www.cyclecountry.com

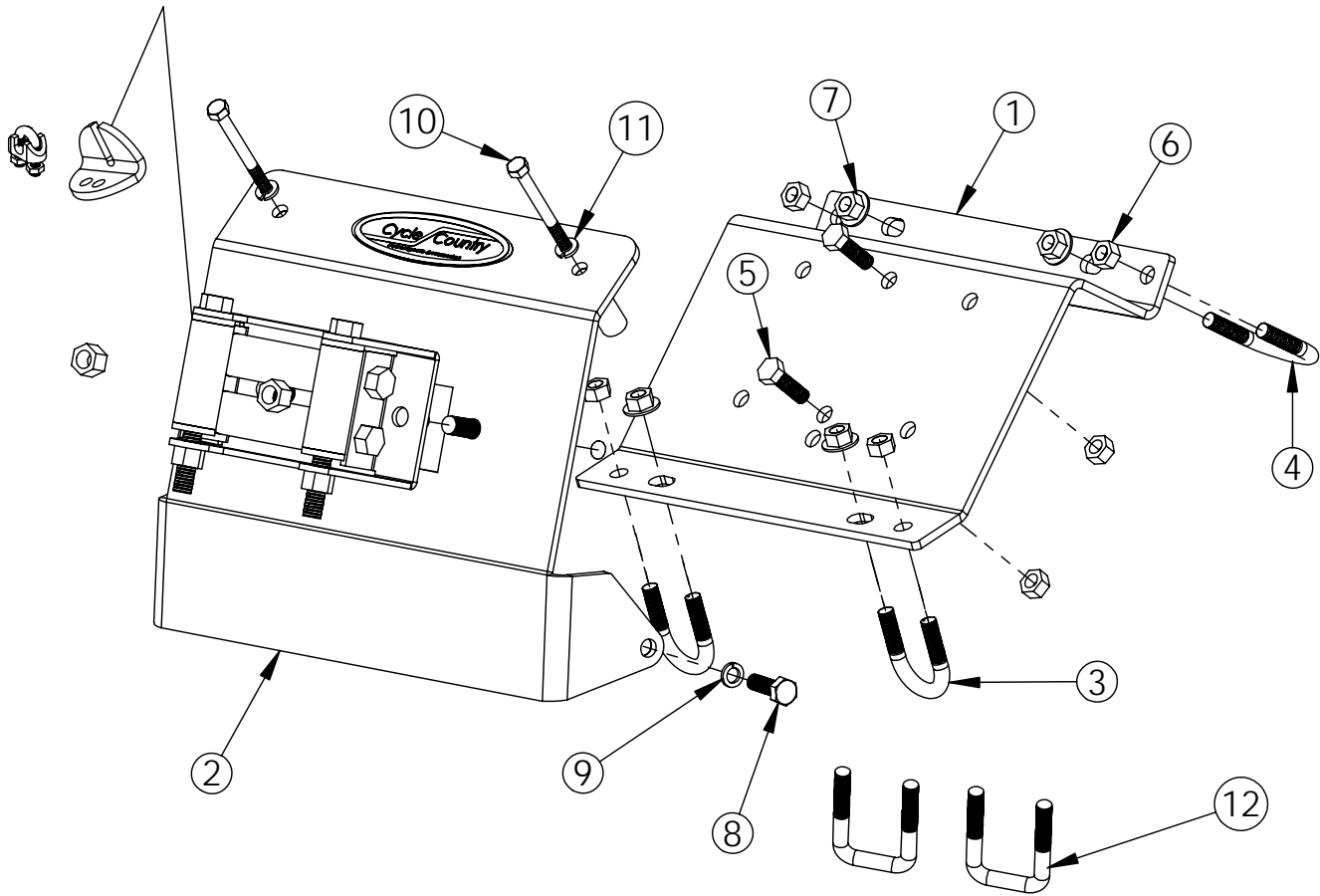
WINCH MOUNT KIT For HONDA ATVs

OWNER'S MANUAL

MODEL NUMBER: 25-1140

**CUSTOMER MUST RECEIVE A COPY OF THIS
OWNER'S MANUAL AT TIME OF SALE**

Please Note:
The roller hawse, cable clamp, and cable stop are included with the winch.



Model Number 25-1140 Parts List

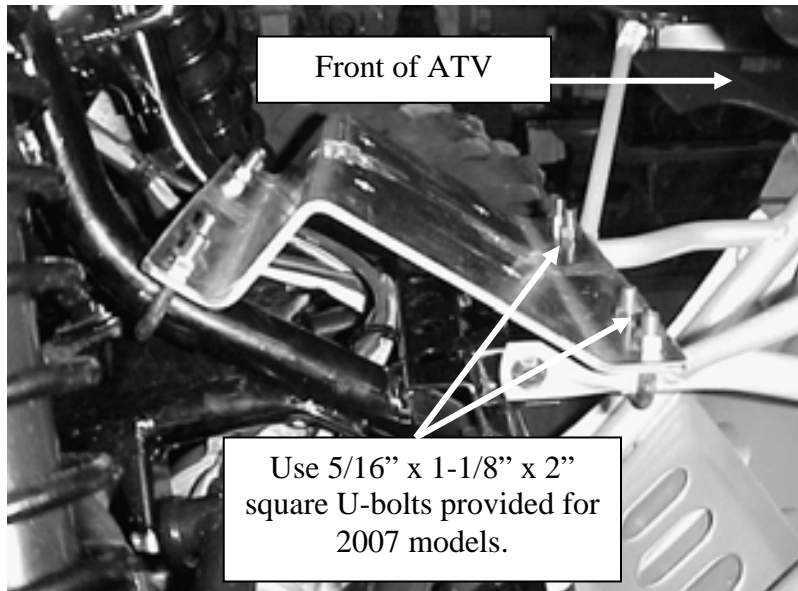
ITEM NO.	QTY.	PART NO.	DESCRIPTION
1	1	CYC5161	Winch Plate
2	1	CYC5162	Roller Hawse Mount Weldment
3	2	PUR1418	5/16" x 1" x 1-3/4" U-Bolt
4	2	PUR1419	5/16" x 1-1/4" x 2" U-Bolt
5	2	PUR1155	5/16" x 1" Bolt
6	6	PUR1275	Locknut 5/16" Nylock
7	4	PUR1274	Flange Nut 5/16" Nylock
8	2	PUR1312	8 x 25 Metric Bolt
9	2	PUR1293	5/16" Lockwasher
10	2	PUR1310	M6 x 60 Metric Bolt
11	2	PUR1289	1/4" Lockwasher
12	2	PUR1424	U-bolt 5/16" x 1-1/8" x 2" SQ.

THIS WINCH MOUNTING KIT CAN BE USED TO MOUNT A CYCLE COUNTRY 1500/2500/3000 WINCH OR A WARN 2000/2500 WINCH TO YOUR ATV.

All directions referring to right and left are when the rider is sitting on the machine. Please Note: The roller hawse, cable clamp, cable stop, and hardware are included with the winch.

**MODEL NUMBER: 25-1140
WINCH MOUNT INSTALLATION INSTRUCTIONS**

1. Slide the winch plate up under the plastic front so the winch plate rests on the two curved mainframe tubes. *See diagram below.*



2. Using the four 5/16'' U-bolts, secure the winch plate to the curved mainframe tubes. Note: 5/16'' x 1-1/8'' x 2'' square U-bolts are used for the forward mounting positions on 2007 models.
3. Mount the roller hawse to the roller hawse mount using the two 3/8'' bolts included with the winch.
4. Mount the roller hawse mount to the front bumper using the two MB6-60 bolts and two MB8-25 bolts provided with the kit. *See diagram below.*



CYCLE COUNTRY 1500 WINCH MOUNTING INSTRUCTIONS

- Be sure that when the winch is mounted to the ATV the winch motor is on the **LEFT** side of the machine. Align the two holes on the Cycle Country 1500 lb winch up to the two holes on the winch plate and attach with 5/16" x 1" bolts and nylock nuts.
- GO TO NEXT INSTRUCTION.

CYCLE COUNTRY 2500 WINCH MOUNTING INSTRUCTIONS

- Be sure that when the winch is mounted to the ATV the winch motor is on the **RIGHT** side of the machine. Align the winch with the four holes on the winch plate and attach the Cycle Country 2500 lb. winch with the four bolts provided with the winch. The roller hawse mount plate that comes with the winch will not be used.
- GO TO NEXT INSTRUCTION.

CYCLE COUNTRY 3000 WINCH MOUNTING INSTRUCTIONS

- Be sure that when the winch is mounted to the ATV the winch motor is on the **RIGHT** side of the machine. Align the winch with the two holes on the winch plate and attach the Cycle Country 3000 lb. winch with the two bolts provided with the kit. The roller hawse mount plate that comes with the winch will not be used.
- GO TO NEXT INSTRUCTION.

WARN 2000/2500 WINCH MOUNTING INSTRUCTIONS

- Be sure that when the winch is mounted to the ATV the winch motor is on the **RIGHT** side of the machine. Align the winch with holes noted on drawing below and attach the Warn 2000/2500 lb. winch with the four 5/16" x 1" bolts provided with the winch. The roller hawse mount plate that comes with the winch will not be used.
- GO TO NEXT INSTRUCTION.

Install Roller Hawse

Remove one of the long rollers and the two side rollers and feed the winch cable through the roller hawse. Reinstall the rollers and be sure rollers move freely.

See winch wiring instructions supplied with the winch for proper installation

Tighten all attaching hardware at this time.

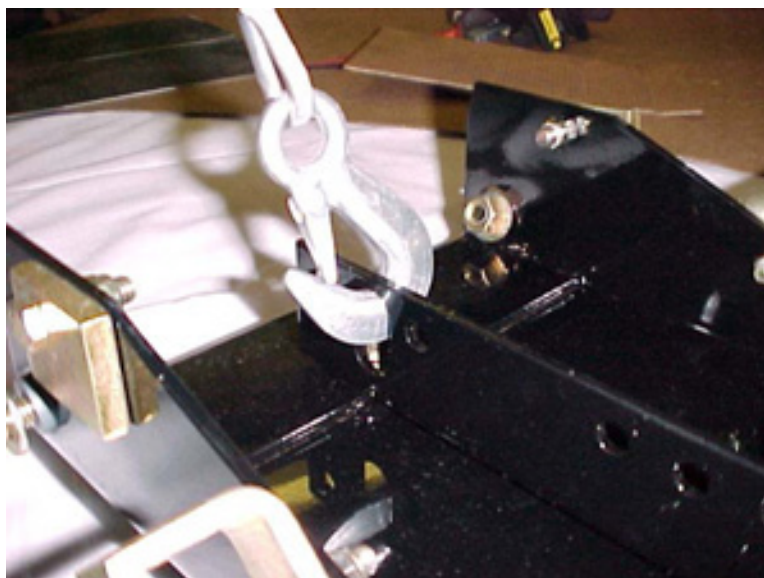
CAUTION

BE AWARE OF THE CABLE STOP CONTACTING THE ROLLER HAWSE WHEN THE CABLE IS WOUND IN.

FAILURE TO RELEASE THE SWITCH MAY CAUSE DAMAGE TO WINCH PARTS OR TO THE ATV.

When using the Winch to raise and lower a Cycle Country Plow, a Cable Stop must be installed.

Hook the Winch Cable to the CYC0345 (U608) (item #4 on your 15-0001 push tube kit) through the slotted hole. Carefully raise the blade until the top of the push tube are no closer than 1" anywhere on the ATV. Place the Cable Stop onto the Winch Cable up against the Winch Hawse. Secure the Cable Stop to the Winch Cable using the Cable Clamp Assembly as shown in the pictures below.





1701 38TH AVE W
PO BOX 257
SPENCER, IA 51301
PHONE: 712-262-4191
FAX: 712-262-0248
SERVICE: 800-841-2222
E-MAIL: ccac@cyclecountry.com
www.cyclecountry.com

ONE YEAR LIMITED WARRANTY

For the period of one year from the purchase date Cycle Country Accessories Corporation will replace for the original purchaser, free of charge, any part or parts, when found, upon examination by Cycle Country Accessories Corporation, to be defective in material, workmanship, or both.

All transportation cost incurred by the purchaser in submitting the material to Cycle Country Accessories Corporation for replacement under this warranty must be borne by the purchaser. If Cycle Country Accessories Corporation determines that the product must be returned to the factory for credit please call 1-800-841-2222 for an RMA number and shipping instructions.

The warranty does not apply to parts that have been damaged by accident, alteration, abuse, improper lubrication, normal wear, or other causes beyond Cycle Country Accessories Corporation's control. Products such as engines, electric motors, and actuators may carry an original manufacturer's warranty. Please call Cycle Country Accessories Corporation for information.



Cycle Country Accessories Corporation has been a world-renowned manufacturer of quality ATV products since 1981 and we hope you will enjoy your new Cycle Country accessory.

Check out our other accessories

We're the Industry Snow Blade leader:

48", 54", 60" & 72" Bear Force Straight Blades 52" & 60" State Plows
72" 'V' Force Plow System "New" A.R.M. 52" Plow available in Poly or Steel Blade

If a winch is what you must have, then you've come to the right place:

1500lb and 2500lb Winches
We also have an extensive line of winch mounts for both Cycle Country and Warn winches

If you need to haul more gear on your quad, check out our baskets:

Front Basket Rear Basket Rear Drop Basket
All Purpose Basket "New" Poly Rear Drop Basket

If you need to mow the trail before you go riding one of these will help:

Our 54" finish cut Quick Silver 54 can be mounted in front or towed behind your ATV
The 48" Rough Cut will handle your toughest mowing jobs
The Rough Cut 44 provides an economical way to handle all your mowing needs

If you are into deer hunting and want to make a food plot, you will love our 3 Point Hitch & Implements:

Rear Blade Moldboard Plow Furrower Rake
Cultivator Disk Harrow

If you have a landscaping or gardening project, check out our "Work Ready" Tow Behind Implements:

Universal Tow Frame Cultivator Rake Rear Blade
Disc Disk Harrow

And many more accessories to help you Work Hard and Play Hard:

For more information call us at 1-800-841-2222, or on the web at www.cyclecountry.com