



# WINCH MOUNT KIT

FOR POLARIS ATV

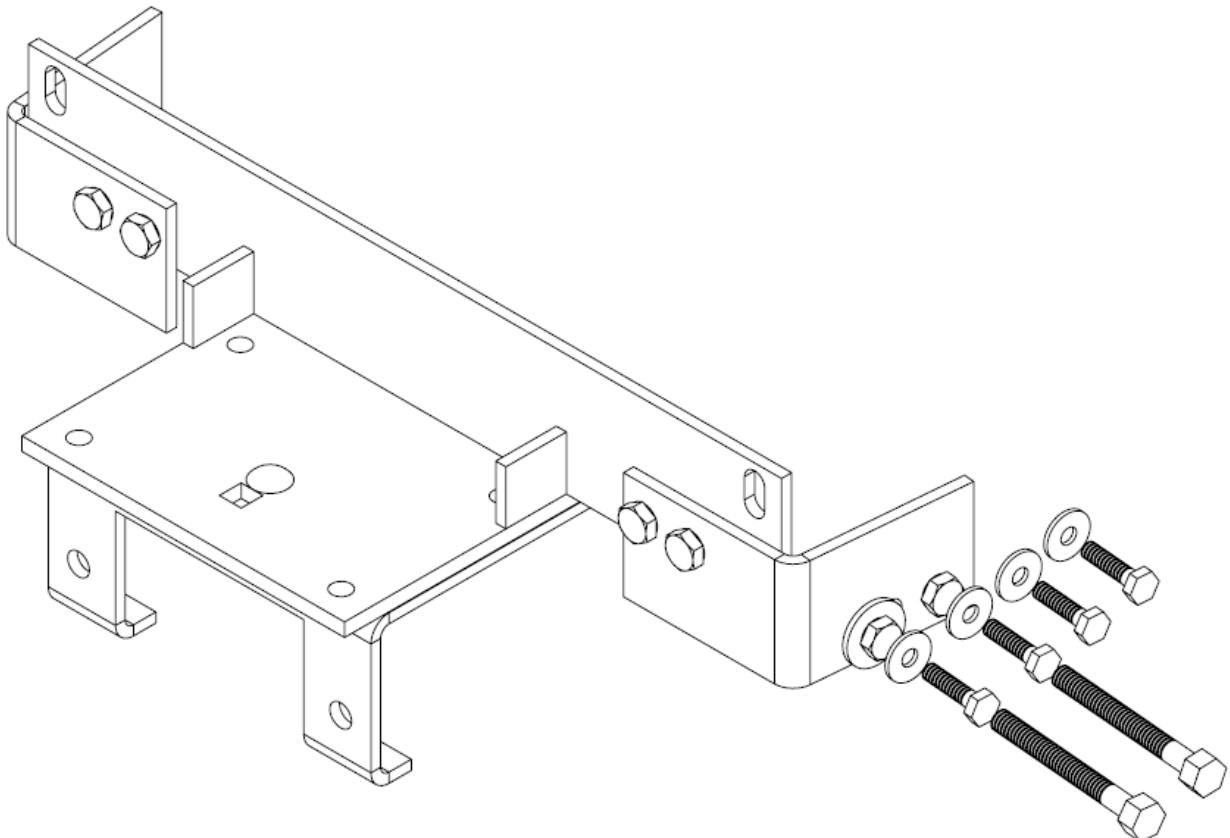
P/N 25-3043

ASSEMBLY / OWNERS MANUAL

Application

WINCH KIT NO. 25-xxxx

Before you begin, please read these instructions and check to be sure all parts and tools are accounted for. The following instructions contain details required to install and service the contents of this kit.



# OPERATING INSTRUCTIONS

Congratulations! You've just purchased the most durable accessory component in the industry. Our accessories work great all year round! With proper care and maintenance, your Kolpin accessory will last for years to come! Please read and understand all assembly instructions, notices and warnings before assembling and using your Kolpin accessory.

## Follow these guidelines to ensure a successful and satisfactory installation:

Read, understand this manual before beginning installation

Periodically check for wear and tightness of all fasteners.

Replace or re-torque fasteners as necessary.

## SAFETY & GENERAL PRODUCT INFORMATION

Kolpin accessories are designed with your safety in mind.

In order to protect you and your vehicle, certain parts of the accessory and/or hardware may be designed to collapse or break when the equipment is over-stressed.

Kolpin winch mount kits are designed to be compatible with Kolpin and Cycle Country winches along with many others, but may not be compatible with some winches. Kolpin winch mount kits have design features that benefit snow plow applications.



### **! DANGER ! ! WARNING ! ! CAUTION !**

#### **To avoid personal injury or damage to your vehicle:**

Read and understand all notices for:

Caution

Warning

Danger

Follow instructions for your vehicle, winch, winch mount and other items used in combination with this product.

Do not winch unsecured loads at any time.

Disconnect battery during winch installation or service to prevent electrical hazards.

Do not lift loads overhead.

Do not exceed the load capacity of the winch.

Always wear gloves when handling wire winch cable.

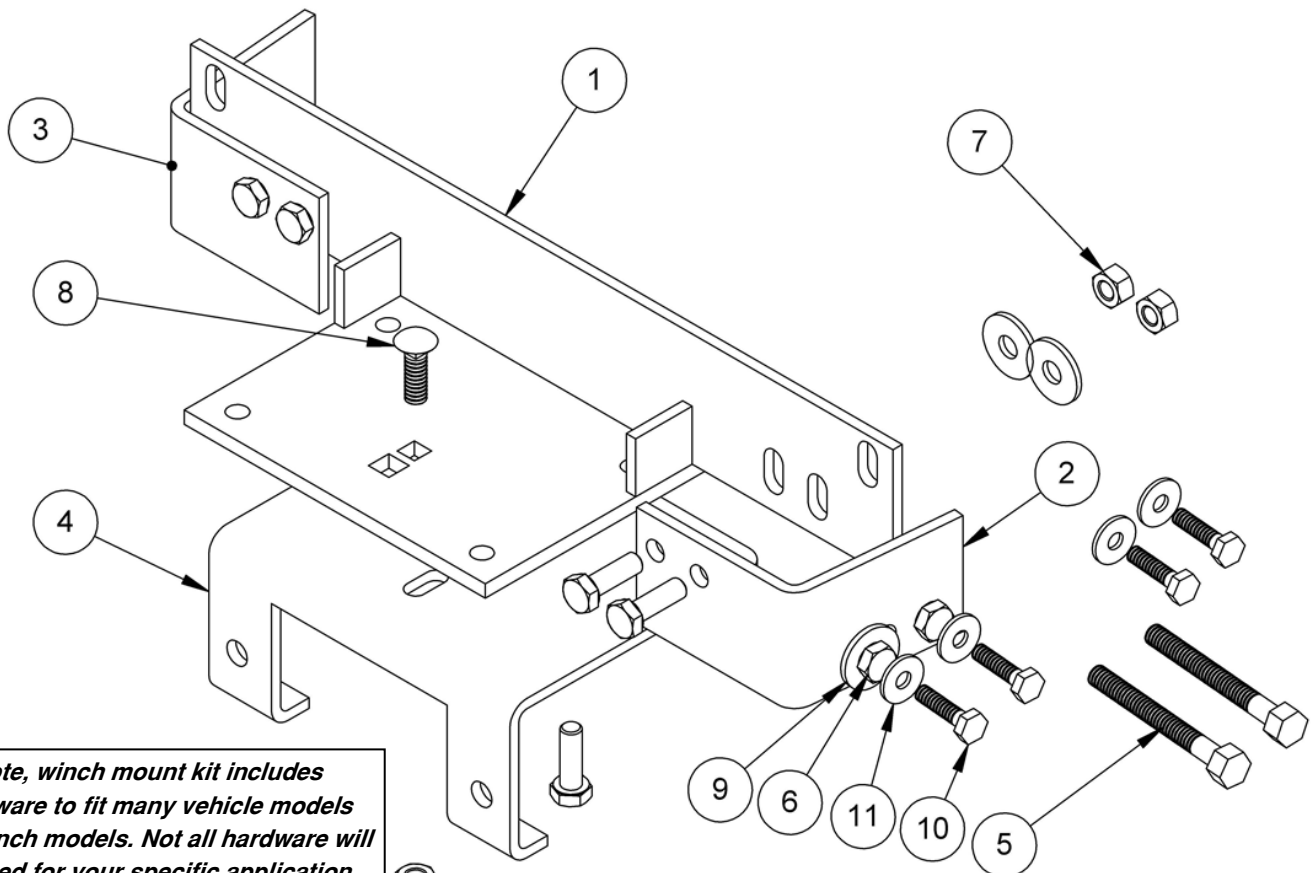
Do not use your winch or winch mount for towing.

Do not shock load the winch, cable or winch mount.

Keep fingers, hands and loose clothing away from roller fairlead and winch cable drum when in use.

## Kit Contents:

Item	Qty	Part Description	Part Number
1	1	Winch Mount Bracket	-
2	1	Left Mount Plate Bracket	-
3	1	Right Mount Plate Bracket	-
4	1	Fairlead Adapter Mount Plate	-
5	2	Hex Bolt, Zinc Plated, 5/16-18 x 2.75" LG	-
6	9	Hex Bolt, Zinc Plated, M8-1.25 x 25mm LG	-
7	6	Locknut, Zinc Plated, M8-1.25	-
8	1	Carriage Bolt, Zinc Plated, M8-1.25 x 25mm LG	-
9	6	Flat Washer, Zinc Plated, M8	-
10	4	Hex Bolt, Zinc Plated, 1/4-20 x 1.0" LG	-
11	4	Flat Washer, Zinc Plated, M6	-
12	1	Instruction Guide (not shown)	-



**Note, winch mount kit includes hardware to fit many vehicle models and winch models. Not all hardware will be used for your specific application. For example, item #4 is only used for older style 1500lb winches.**

## BEFORE YOU BEGIN:

- Your Kolpin accessory is exclusively designed for your vehicle
- Please read and understand all instructions
- Verify all parts and tools are accounted for
- To ensure a satisfactory installation, follow all steps correctly and in the sequence described
- Keep these instructions for future reference or for informational requests
- To facilitate installation, make sure that your vehicle is clean and free of debris
- All directions referring to right and left are when the rider is sitting on the machine

## TOOLS REQUIRED:

- Basic Metric wrench and socket set
- Pliers
- Do not use impact tools to install hardware

## APPROXIMATE ASSEMBLY TIME: 30 minutes

Note: Additional time may be required to accommodate other installed accessories.

Note: If any hardware is missing, do not return to the store. Call us to help, Toll Free 1-877-956-5746.

<b>SPARE KITS</b>		<b>Hardware kit P/N CYC0013</b>
<b>Item</b>	<b>Description</b>	
5	Hex Bolt, Zinc Plated, 5/16-18 x 2.75" LG	2x
6	Hex Bolt, Zinc Plated, M8-1.25 x 25mm LG	9x
7	Locknut, Zinc Plated, M8-1.25	6x
8	Carriage Bolt, Zinc Plated, M8-1.25 x 25mm LG	1x
9	Flat Washer, Zinc Plated, M8	6x
10	Hex Bolt, Zinc Plated, 1/4-20 x 1.0" LG	4x
11	Flat Washer, Zinc Plated, M6	4x

### Installation Prep:

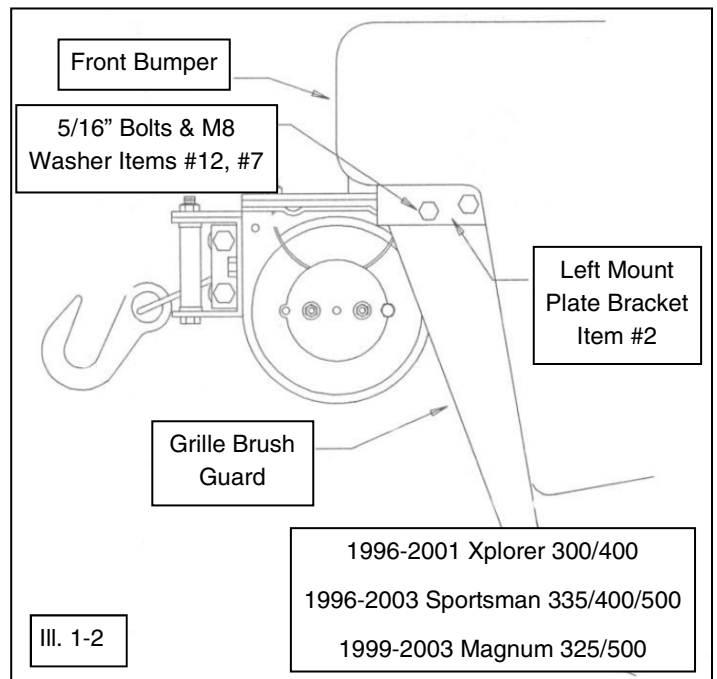
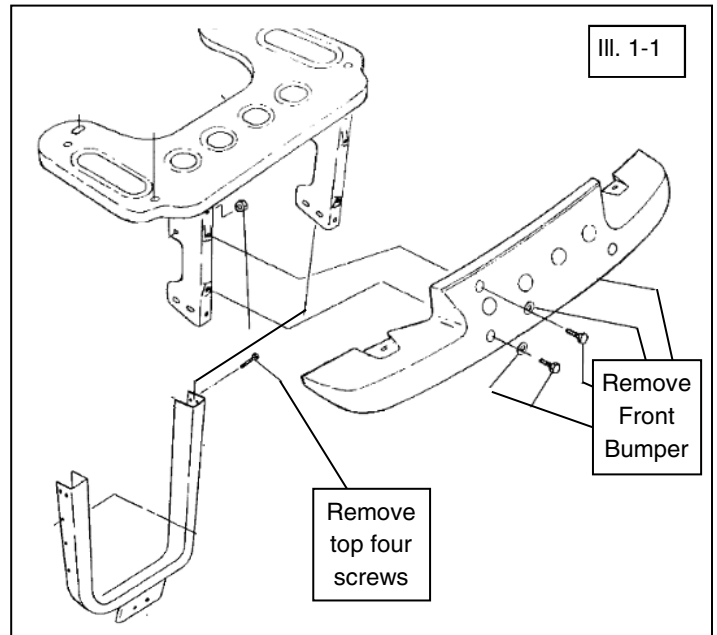
1. Shift vehicle transmission into NUETRAL/PARK and/or set parking brake. Turn ignition key to OFF position and remove from ignition switch.
2. Disconnect black negative (-) cable first, and then the red positive (+) cable secondly from battery. **Note, be sure to disconnect the negative (-) cable first.**
3. Remove the front bumper from the ATV by removing the four bolts from the front. Remove the four OEM 5/16" bolts located on both sides of the upper part of the grill brush guard. (See illustration 1-1).

### Mount Installation:

4. Using four M8 hex bolts (item #6) attach the left (item #2) and right mount plate brackets (item #3) to the winch mount plate (item #1) and secure loosely with M8 locknut (item #8) and M8 flat washer (item #7) as shown on parts page 3.
5. Attach the left (item #2) and right mount plate brackets (item #3) to the upper grill holes of the ATV using the shorter 5/16" bolts (item #12) and M8 flat washers (item #7) as shown. (See illustration 1-2). **Note, 1/4" x 1" LG bolts (item #9) and M6 flat washers (item #10) are required for the 1995 Explorer.**
6. Line up the two upper holes in the front corners of the winch mount plate (item #1) with the OEM bolts that secure the front of the bumper. Install and fully tighten the bumper bolts securing the winch mount plate underneath plastic bumper.
7. Some models will require the longer 5/16" x 2-3/4" bolts (item #11) with the M8 flat washers (item #7) provided with the kit.

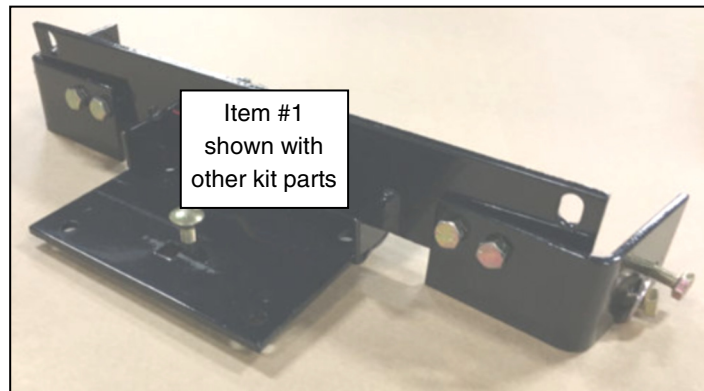
### Older Style 2-Bolt 1500lb Winch Installation:

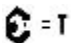
8. The fairlead mount bracket (item #4) included with mount kit will only be used for older style 2-bolt 1500lb winches.
9. Slide the fairlead mount bracket (item #4) between the winch mount plate (item #1) and the winch after first positioning the two M8 bolts (supplied with winch kit) through the fairlead mount bracket (item #4).
10. Using one M8 hex bolt (item #6) and one M8 carriage bolt (item #5), mount the winch to the winch mount plate (item #1). **Note, the winch motor will be on the right side of the ATV once installed.**



### New Style 4-Bolt 2000lb & Larger Winch Installation:

11. The universal fairlead mount bracket (supplied with winch kit) will be required for new style 4-bolt 2000lb and larger winches.
12. Slide the universal fairlead mount bracket (supplied with winch kit) between the winch mount plate (item #1) and the winch. Orient the universal fairlead mount bracket as shown on parts page 3. **Note, the fairlead mount bracket (item #4) will not be used to install new style 4-bolt mounting winch.**
13. Using four of the M8 hex bolts supplied with winch kit, mount the winch to the winch mount plate (item #1). **Note, the winch motor will be on the left side of the ATV once installed.**



 = T
<b>8MM FASTENER TORQUE:</b> 17 ft. lbs. (23 Nm)

### Roller Fairlead Mount:

14. Using the hardware supplied with winch kit, mount the roller fairlead to the winch mount.
15. Tighten M8 fasteners to specification.
16. Connect the hook to cable or rope by using hardware included in winch kit.

### Winch Wiring and Connections:

17. Using the winch kit instructions, route and connect the electrical cables and components for the winch system.
18. Secure all harnesses using cable ties (provided with winch kit) to prevent contact with hot components, sharp edges or moving parts.
19. Reconnect black negative (-) cable to battery, then reinstall under-seat storage compartment and driver's seat. Restore any body panels removed.
20. With the vehicle key in the ON position, check winch for proper operation.
21. Retighten all hardware after 30 minutes of riding.



## **One Year Limited Warranty**

For the period of one (1) year from the purchase date, Kolpin will replace for the original purchaser, free of charge, any part or parts found upon examination by Kolpin to be defective in material, workmanship, or both.

All transportation costs incurred submitting product to Kolpin for warranty consideration must be borne by the purchaser. If Kolpin determines that the product must be returned to the factory for credit, please call 1-877-956-5746 for a Return Merchandise Authorization (RMA) number and shipping instructions.

This warranty does not apply to parts that have been damaged by accident, alteration, abuse, improper maintenance, normal wear, or other causes beyond the manufacturer's control. In order to protect you and your ATV, certain parts of the accessory system and/or hardware are designed to fail when the equipment is over-stressed. Parts that are lost due to loosening and improper maintenance are not covered under warranty. This warranty does not cover removal or reinstallation labor fees of the plow system and related components.

Peripheral products such as engines, electric motors, and actuators may carry an original manufacturer's warranty. Most hardware is general in nature and is easily obtained locally. Be sure to replace with minimum metric class 8.8 specification.

**Kolpin Outdoors, Inc.**

**Telephone: (763)-478-5800**

**Toll Free: (877)-956-5746**

**Fax Number: (800)-245-7569**

**[www.kolpin.com](http://www.kolpin.com)**

**Email: [customerservice@kolpin.com](mailto:customerservice@kolpin.com)**