



WINCH MOUNT KIT

FOR POLARIS RZR 570 / 800

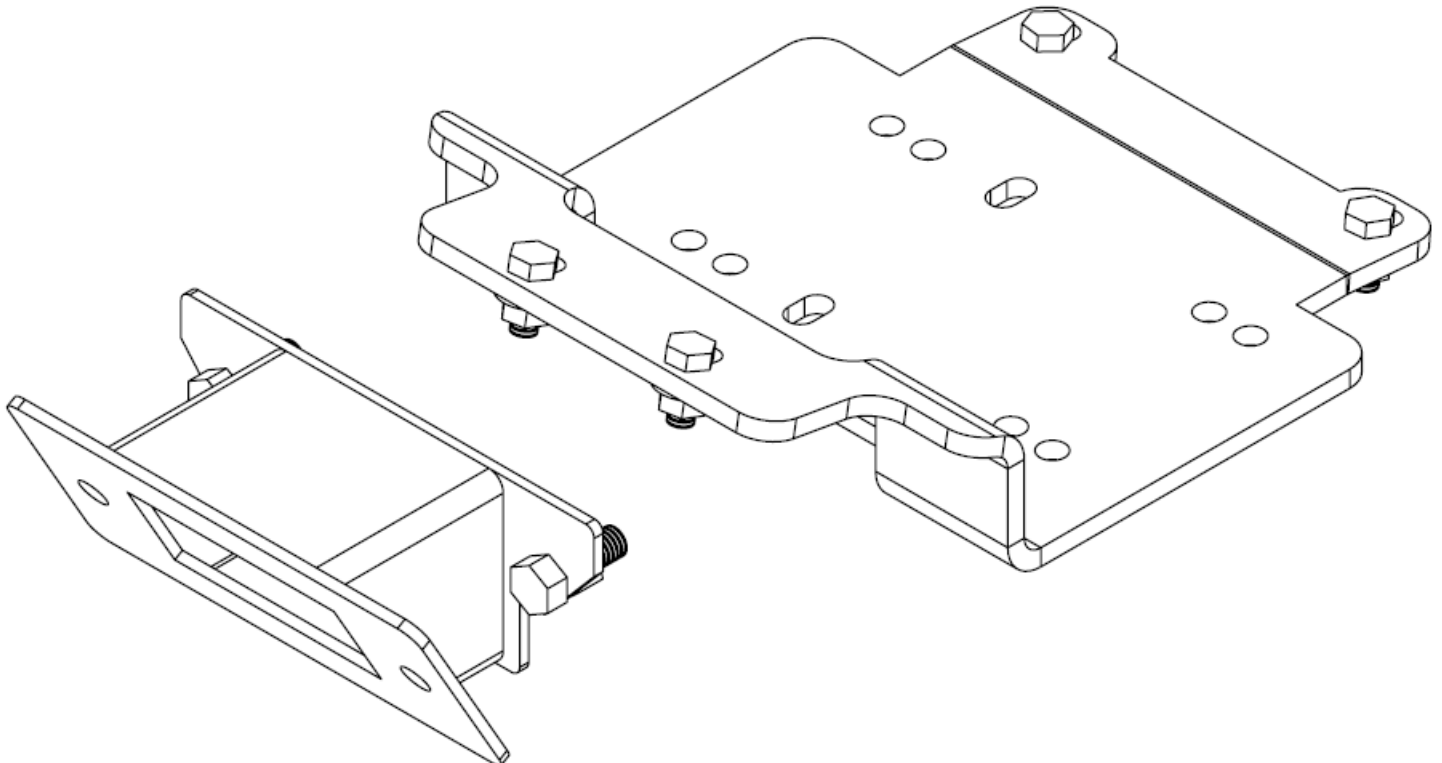
P/N 25-3270

ASSEMBLY / OWNERS MANUAL

Application

WINCH KIT NO. 25-3270

Before you begin, please read these instructions and check to be sure all parts and tools are accounted for. The following instructions contain details required to install and service the contents of this kit.



OPERATING INSTRUCTIONS

Congratulations! You've just purchased the most durable accessory component in the industry. Our accessories work great all year round! With proper care and maintenance, your Kolpin accessory will last for years to come! Please read and understand all assembly instructions, notices and warnings before assembling and using your Kolpin accessory.

Follow these guidelines to ensure a successful and satisfactory installation:

Read, understand this manual before beginning installation

Periodically check for wear and tightness of all fasteners.

Replace or re-torque fasteners as necessary.

SAFETY & GENERAL PRODUCT INFORMATION

Kolpin accessories are designed with your safety in mind.

In order to protect you and your vehicle, certain parts of the accessory and/or hardware may be designed to collapse or break when the equipment is over-stressed.

Kolpin winch mount kits are designed to be compatible with Kolpin and Cycle Country winches along with many others, but may not be compatible with some winches. Kolpin winch mount kits have design features that benefit snow plow applications.



! DANGER ! ! WARNING ! ! CAUTION !

To avoid personal injury or damage to your vehicle:

Read and understand all notices for:

Caution

Warning

Danger

Follow instructions for your vehicle, winch, winch mount and other items used in combination with this product.

Do not winch unsecured loads at any time.

Disconnect battery during winch installation or service to prevent electrical hazards.

Do not lift loads overhead.

Do not exceed the load capacity of the winch.

Always wear gloves when handling wire winch cable.

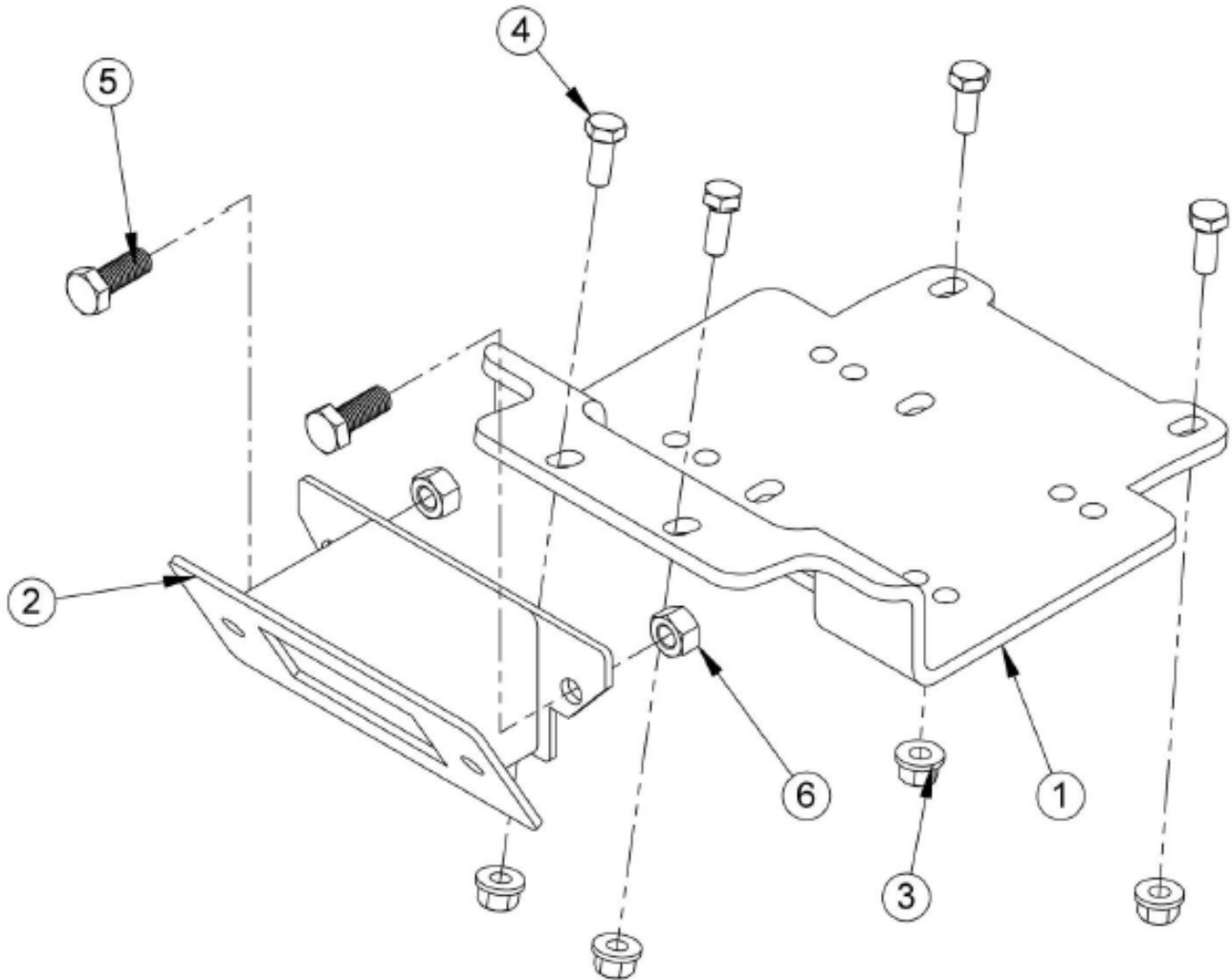
Do not use your winch or winch mount for towing.

Do not shock load the winch, cable or winch mount.

Keep fingers, hands and loose clothing away from roller fairlead and winch cable drum when in use.

Kit Contents:

Item	Qty	Part Description	Part Number
1	1	Winch Mount Bracket	-
2	1	Roller Fairlead Adapter	-
3	4	Flange Locknut, Zinc Plated, M8 x 1.25mm	PUR3074
4	4	Hex Bolt, Zinc Plated, M8 x 1.25 x 20mm LG	
5	2	Hex Bolt, Zinc Plated, M10 x 1.5 x 25mm LG	-
6	2	Locknut, Zinc Plated, M10 x 1.5	PUR3069
7	1	Instruction Guide (not shown)	-



BEFORE YOU BEGIN:

- Your Kolpin accessory is exclusively designed for your vehicle
- Please read and understand all instructions
- Verify all parts and tools are accounted for
- To ensure a satisfactory installation, follow all steps correctly and in the sequence described
- Keep these instructions for future reference or for informational requests
- To facilitate installation, make sure that your vehicle is clean and free of debris
- All directions referring to right and left are when the rider is sitting on the machine

TOOLS REQUIRED:

- Basic Metric wrench and socket set
- Torx bit tools
- Pliers
- Do not use impact tools to install hardware

APPROXIMATE ASSEMBLY TIME: 30 minutes

Note: Additional time may be required to accommodate other installed accessories.

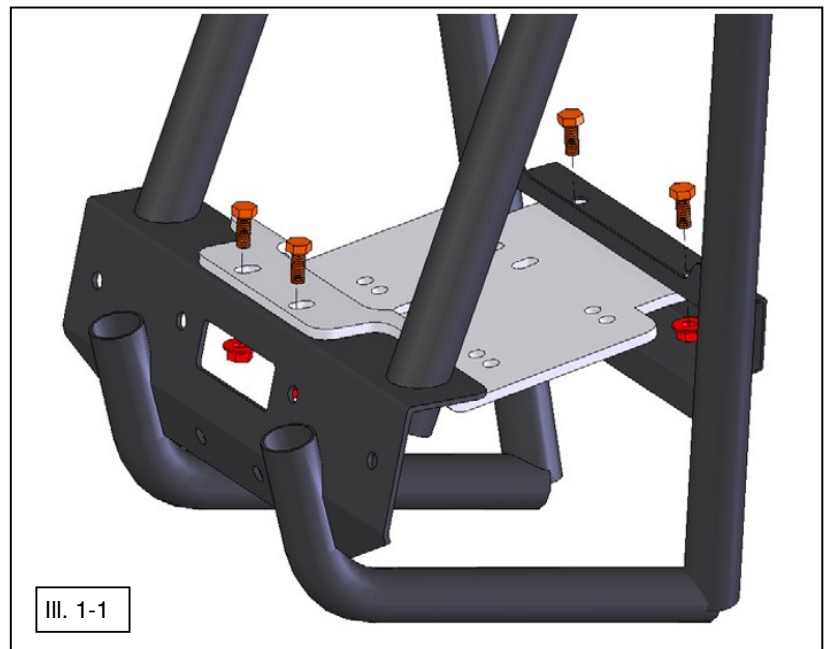
Note: If any hardware is missing, do not return to the store. Call us to help, Toll Free 1-877-956-5746.

Installation Prep:

1. Shift vehicle transmission into PARK. Turn ignition key to OFF position and remove from ignition switch.
2. Disconnect red positive (+) cable and black negative (-) cable from battery.
3. Remove the front hood and disconnect the wiring for the lights at the bulb terminal connectors.
4. Remove the front plastic bumper.
5. Remove the small plastic panel on the lower front of the bumper. This area is where the roller fairlead and winch cable will pass through the bumper.



Winch Mount Installation:

6. Insert winch plate (item #1) and fasten into position as shown using M8 bolts (item #4) and M8 lock nuts (item #3). (See illustration 1-1).



Winch Mount Installation (Continued):

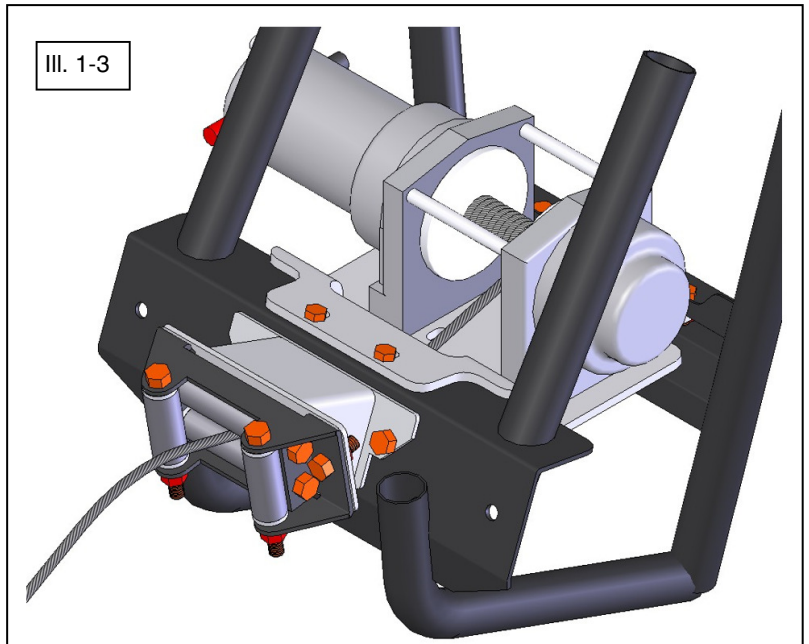
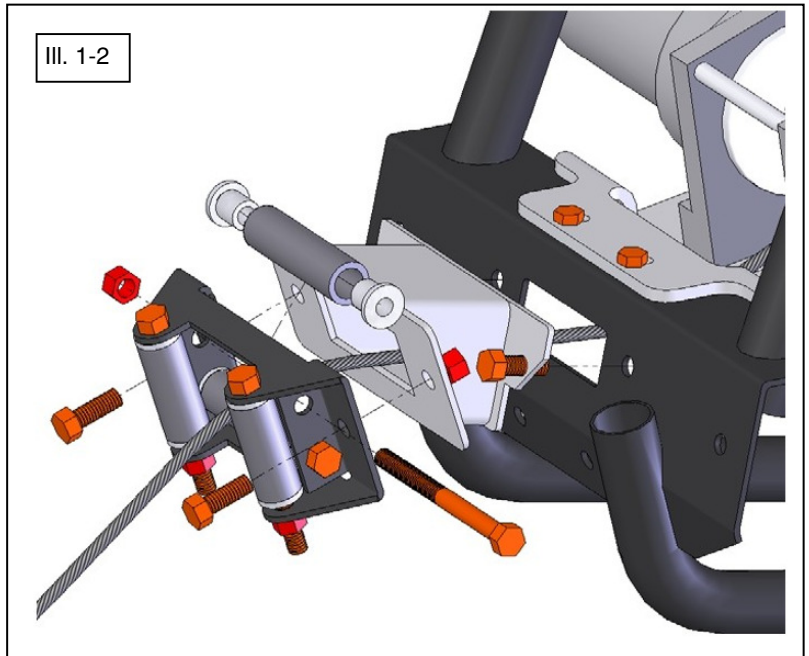
7. Insert your winch into vehicle frame and position it with the motor to the RIGHT side of vehicle. Many other winch models can be installed using this winch plate.
Note: some of the earlier Polaris RZR models have a radiator hose configuration that may rub on certain winch motors. Installer may choose to install a sleeve on the hose or use some other means of protecting the radiator hose from rubbing on the winch.
8. Route the winch cable through the frame and the Fairlead Adaptor (Item #2) and then install the Fairlead Adaptor to the Winch Plate (Item #1) using the M10 bolts (Item #5) and securing with M10 lock nuts (item #6). (See illustration 1-2).
9. Tighten all hardware to specifications. (See illustration 1-3).

 = T
8MM FASTENER TORQUE: 17 ft. lbs. (23 Nm)
 = T
10MM FASTENER TORQUE: 34 ft. lbs. (46 Nm)

10. Using the hardware supplied with winch kit, install the roller fairlead (supplied with winch kit) onto the adapter (item #2).
11. Connect the hook to cable or rope by using hardware included in winch kit.
12. Using the OEM hardware, reinstall the front plastic bumper and the hood and reattach the wiring for the lights.

Winch Wiring and Connections:

13. Using the winch kit instructions, route and connect the electrical cables and components for the winch system.
14. Secure all harnesses using cable ties (provided with winch kit) to prevent contact with hot components, sharp edges or moving parts.
15. Reconnect red positive (+) cable and black negative (-) cable to battery.
16. With the vehicle key in the ON position, check winch for proper operation.
17. Retighten all hardware after 30 minutes of riding.





One Year Limited Warranty

For the period of one (1) year from the purchase date, Kolpin will replace for the original purchaser, free of charge, any part or parts found upon examination by Kolpin to be defective in material, workmanship, or both.

All transportation costs incurred submitting product to Kolpin for warranty consideration must be borne by the purchaser. If Kolpin determines that the product must be returned to the factory for credit, please call 1-877-956-5746 for a Return Merchandise Authorization (RMA) number and shipping instructions.

This warranty does not apply to parts that have been damaged by accident, alteration, abuse, improper maintenance, normal wear, or other causes beyond the manufacturer's control. In order to protect you and your ATV, certain parts of the accessory system and/or hardware are designed to fail when the equipment is over-stressed. Parts that are lost due to loosening and improper maintenance are not covered under warranty. This warranty does not cover removal or reinstallation labor fees of the plow system and related components.

Peripheral products such as engines, electric motors, and actuators may carry an original manufacturer's warranty. Most hardware is general in nature and is easily obtained locally. Be sure to replace with minimum metric class 8.8 specification.

Kolpin Outdoors, Inc.

Telephone: (763)-478-5800

Toll Free: (877)-956-5746

Fax Number: (800)-245-7569

www.kolpin.com

Email: customerservice@kolpin.com