



# WINCH MOUNT KIT

FOR POLARIS RANGER

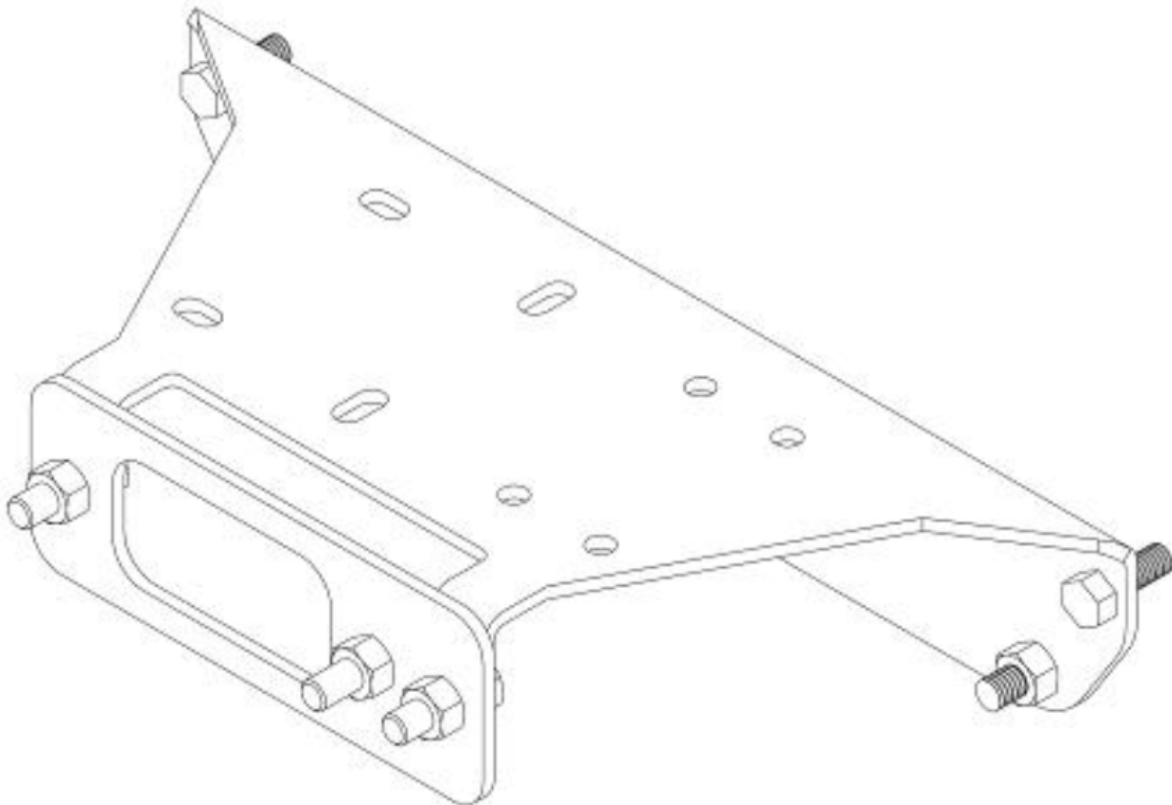
P/N 25-3340

ASSEMBLY / OWNERS MANUAL

Application

WINCH KIT NO. 25-9xxx

Before you begin, please read these instructions and check to be sure all parts and tools are accounted for. The following instructions contain details required to install and service the contents of this kit.



# OPERATING INSTRUCTIONS

Congratulations! You've just purchased the most durable accessory component in the industry. Our accessories work great all year round! With proper care and maintenance, your Kolpin accessory will last for years to come! Please read and understand all assembly instructions, notices and warnings before assembling and using your Kolpin accessory.

## Follow these guidelines to ensure a successful and satisfactory installation:

Read, understand this manual before beginning installation

Periodically check for wear and tightness of all fasteners.

Replace or re-torque fasteners as necessary.

## SAFETY & GENERAL PRODUCT INFORMATION

Kolpin accessories are designed with your safety in mind.

In order to protect you and your vehicle, certain parts of the accessory and/or hardware may be designed to collapse or break when the equipment is over-stressed.

Kolpin winch mount kits are designed to be compatible with Kolpin and Cycle Country winches along with many others, but may not be compatible with some winches. Kolpin winch mount kits have design features that benefit snow plow applications.



### **! DANGER ! ! WARNING ! ! CAUTION !**

#### **To avoid personal injury or damage to your vehicle:**

Read and understand all notices for:

Caution

Warning

Danger

Follow instructions for your vehicle, winch, winch mount and other items used in combination with this product.

Do not winch unsecured loads at any time.

Disconnect battery during winch installation or service to prevent electrical hazards.

Do not lift loads overhead.

Do not exceed the load capacity of the winch.

Always wear gloves when handling wire winch cable.

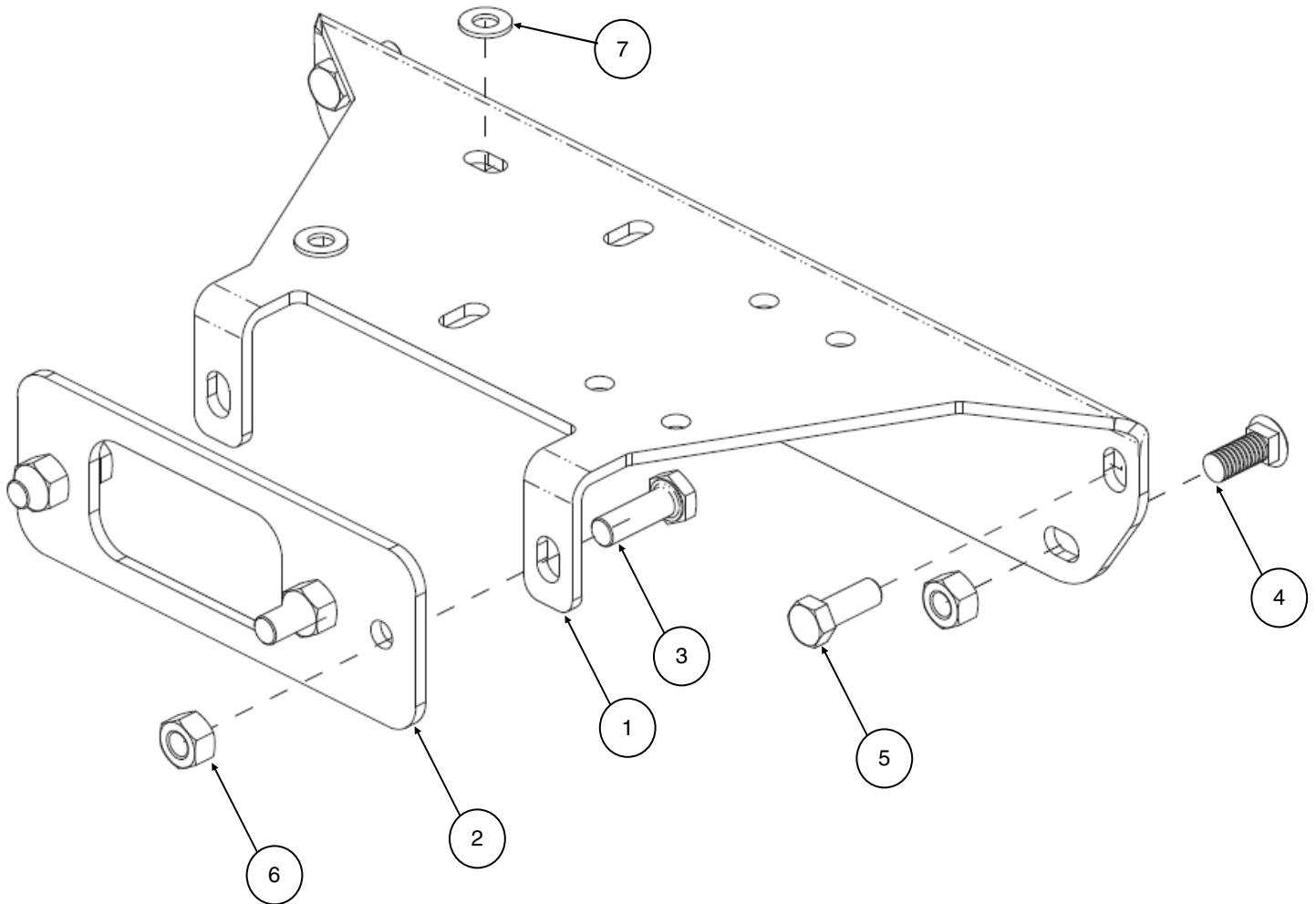
Do not use your winch or winch mount for towing.

Do not shock load the winch, cable or winch mount.

Keep fingers, hands and loose clothing away from roller fairlead and winch cable drum when in use.

## Kit Contents:

Item	Qty	Part Description	Part Number
1	1	Mount Plate	-
2	1	Fairlead Adapter	-
3	3	Hex Bolt, Zinc Plated, M10-1.5 x 30mm LG	-
4	2	Carriage Bolt, Zinc Plated, M10-1.5 x 25mm LG	-
5	2	Hex Bolt, Zinc Plated, 3/8-16 x 1.0" LG	-
6	5	Locknut, Zinc Plated, M10-1.5	-
7	2	Flat Washer, Zinc Plated, M8	-
8	1	Instruction Guide (not shown)	-



## BEFORE YOU BEGIN:

- Your Kolpin accessory is exclusively designed for your vehicle
- Please read and understand all instructions
- Verify all parts and tools are accounted for
- To ensure a satisfactory installation, follow all steps correctly and in the sequence described
- Keep these instructions for future reference or for informational requests
- To facilitate installation, make sure that your vehicle is clean and free of debris
- All directions referring to right and left are when the rider is sitting on the machine

## TOOLS REQUIRED:

- Basic Metric wrench and socket set
- Torx bit tools
- Pliers
- Do not use impact tools to install hardware

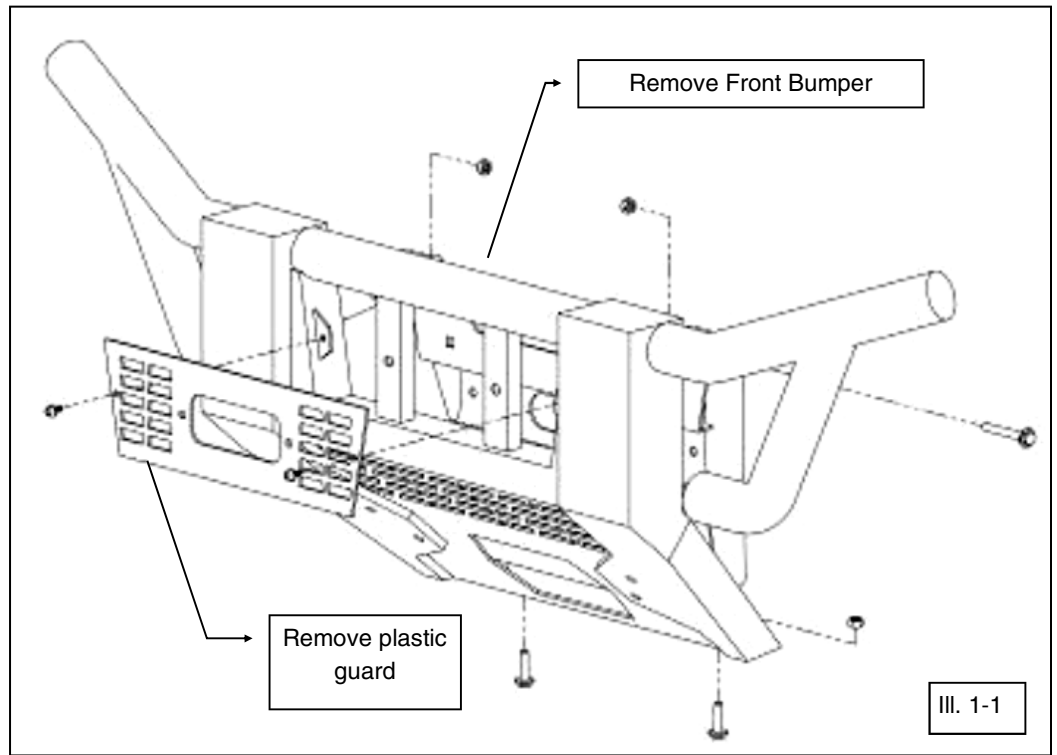
## APPROXIMATE ASSEMBLY TIME: 30 minutes

Note: If any hardware is missing, do not return to the store. Call us to help, Toll Free 1-877-956-5746.

<b>SPARE KITS</b>		<b>Hardware kit P/N CYC6426</b>
<b>Item</b>	<b>Description</b>	
3	Hex Bolt, Zinc Plated, M10-1.5 x 30mm LG	3x
4	Carriage Bolt, Zinc Plated, M10-1.5 x 25mm LG	2x
5	Hex Bolt, Zinc Plated, 3/8-16 x 1.0" LG	2x
6	Locknut, Zinc Plated, M10-1.5	5x
7	Flat Washer, Zinc Plated, M8	2x


**Installation Prep:**

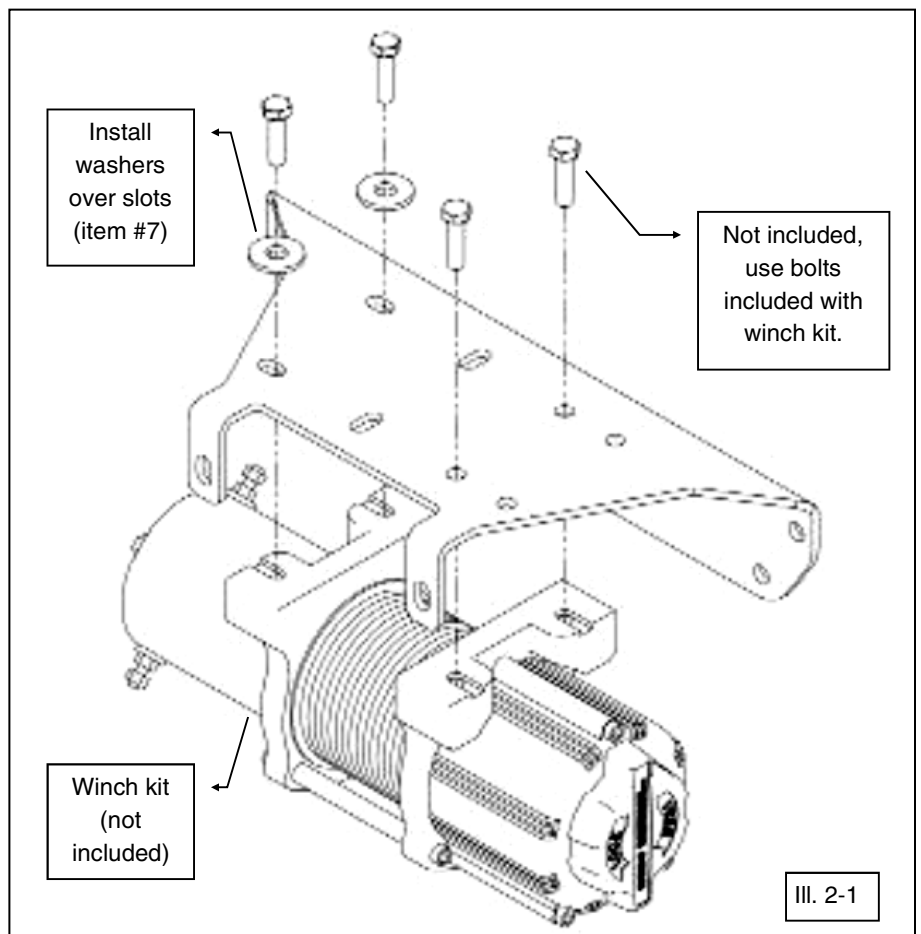
1. To begin, remove the plastic guard from the front bumper.
2. Remove the front bumper from the vehicle as shown. (See illustration 1-1).



**Winch Mount Options:**

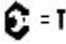
1. The Kolpin winch mount 25-3340 has two winch mounting options.
2. One for standard width winches and one for wide mount winches.
3. If installing a standard mount winch style, install the winch mount plate (item #1) as shown. Install washers (item #7) for the two slotted mounting locations as shown. (See illustration 2-1).
4. Tighten M8 fasteners to specification.

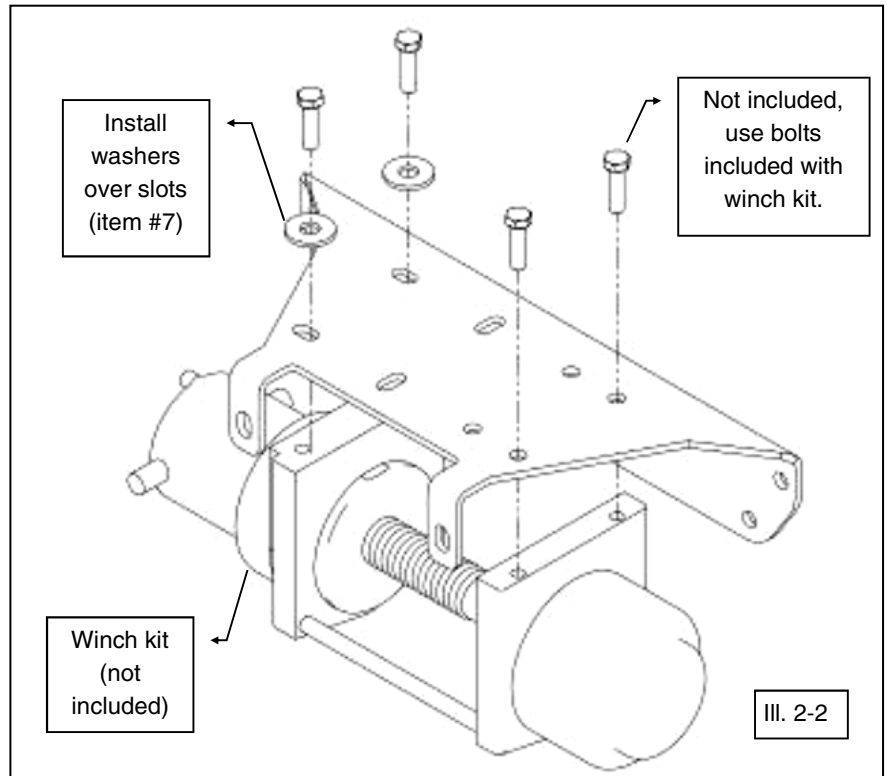
 = T  
**8MM FASTENER TORQUE:**  
17 ft. lbs. (23 Nm)



**Winch Mount Options (Continued):**

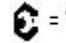
- If installing a standard mount winch style, install the winch mount plate (item #1) as shown. Install washers (item #7) for the two slotted mounting locations as shown. (See illustration 2-2).
- Tighten M8 fasteners to specification.

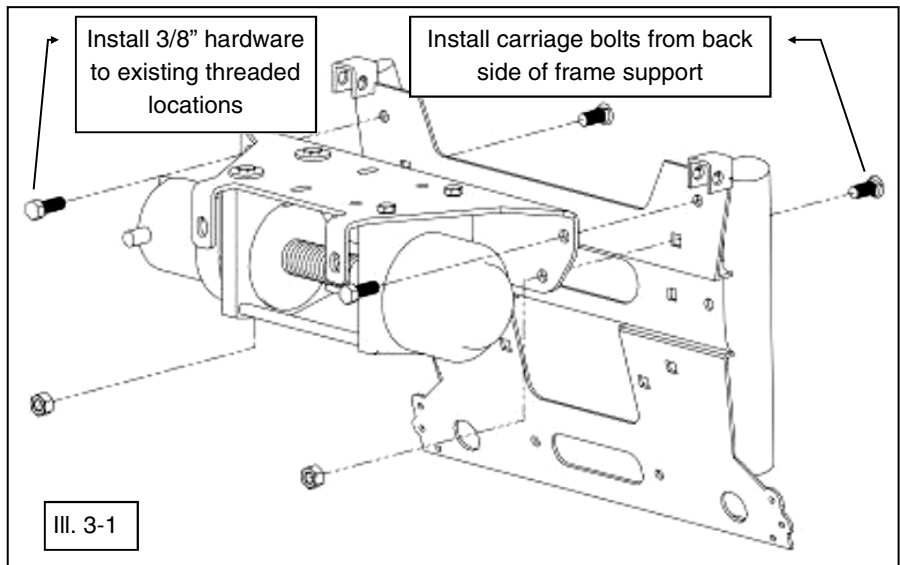
 = T
<b>8MM FASTENER TORQUE:</b> 17 ft. lbs. (23 Nm)



**Mount Winch Assembly to Frame:**

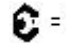
- Mount the winch assembly to the vehicle frame as shown. Install 3/8" bolts (item #5) to the existing thread holes and insert the carriage bolts (item #4) from the backside of the frame. (See illustration 3-1).
- Tighten fasteners to specification.

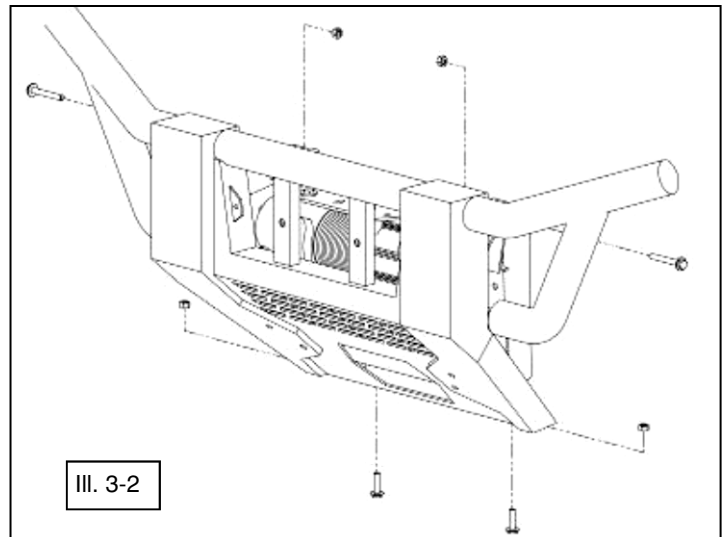
 = T
<b>10MM FASTENER TORQUE:</b> 34 ft. lbs. (46 Nm)



**Re-Install Front Bumper:**


- Using OEM hardware, reinstall the front bumper to frame. (See illustration 3-2).
- Tighten fasteners to specification.

 = T
<b>FRONT BUMPER FASTENER TORQUE:</b> 30 ft. lbs. (41 Nm)

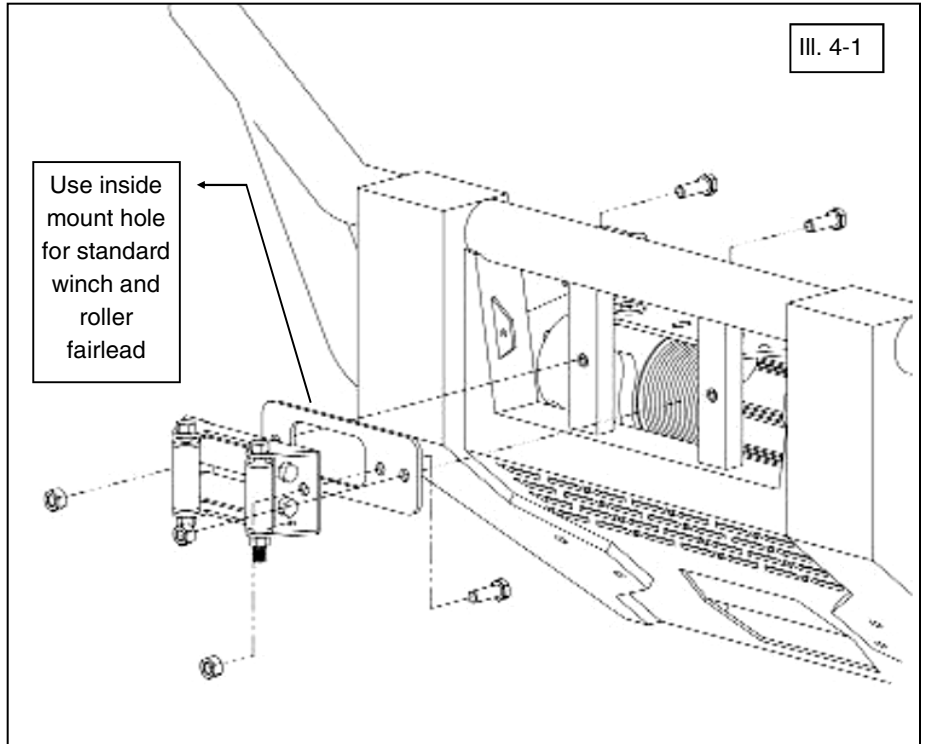


### Roller Fairlead Mount Options:

1. If installing a standard mount roller fairlead, use the inside hole of the fairlead adapter (item #2) to mount the roller fairlead. Mount the assembly to the bumper as shown. (See illustration 4-1).
2. Tighten M10 fasteners to specification.

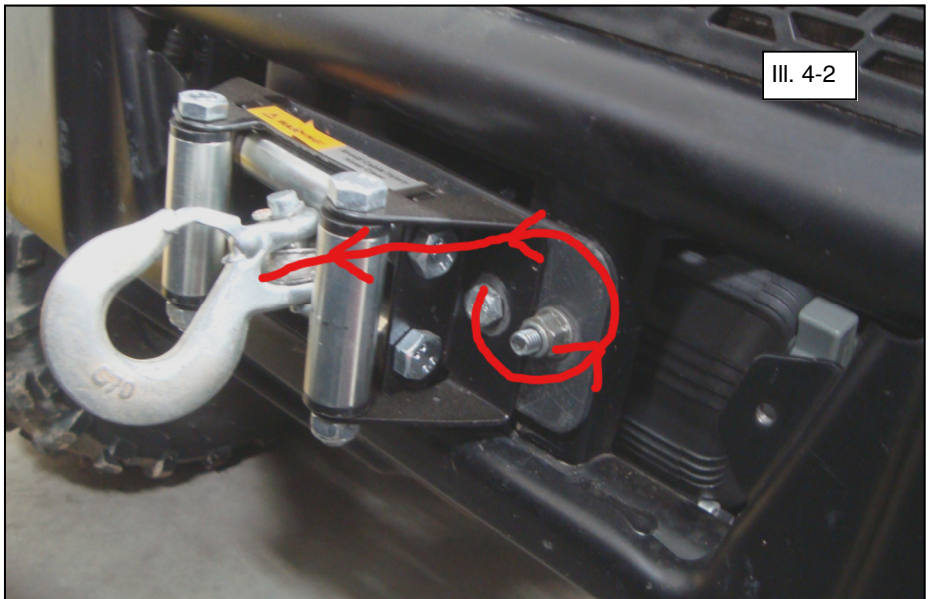
 = T
<b>10MM FASTENER TORQUE:</b> 34 ft. lbs. (46 Nm)

3. If installing a wide mount roller fairlead, install the assembly directly to the bumper.



### Winch Cable Wrap Installation on Spool Drum:

1. The winch cable or rope should be wrapped around the spool drum as shown. Spooling the cable as shown will prolong cable life and enhance winch performance. (See illustration 4-2).
2. Connect the hook to cable or rope by using hardware included in winch kit.





## One Year Limited Warranty

For the period of one (1) year from the purchase date, Kolpin will replace for the original purchaser, free of charge, any part or parts found upon examination by Kolpin to be defective in material, workmanship, or both.

All transportation costs incurred submitting product to Kolpin for warranty consideration must be borne by the purchaser. If Kolpin determines that the product must be returned to the factory for credit, please call 1-877-956-5746 for a Return Merchandise Authorization (RMA) number and shipping instructions.

This warranty does not apply to parts that have been damaged by accident, alteration, abuse, improper maintenance, normal wear, or other causes beyond the manufacturer's control. In order to protect you and your ATV, certain parts of the accessory system and/or hardware are designed to fail when the equipment is over-stressed. Parts that are lost due to loosening and improper maintenance are not covered under warranty. This warranty does not cover removal or reinstallation labor fees of the plow system and related components.

Peripheral products such as engines, electric motors, and actuators may carry an original manufacturer's warranty. Most hardware is general in nature and is easily obtained locally. Be sure to replace with minimum metric class 8.8 specification.

**Kolpin Outdoors, Inc.**

**Telephone: (763)-478-5800**

**Toll Free: (877)-956-5746**

**Fax Number: (800)-245-7569**

**[www.kolpin.com](http://www.kolpin.com)**

**Email: [customerservice@kolpin.com](mailto:customerservice@kolpin.com)**