



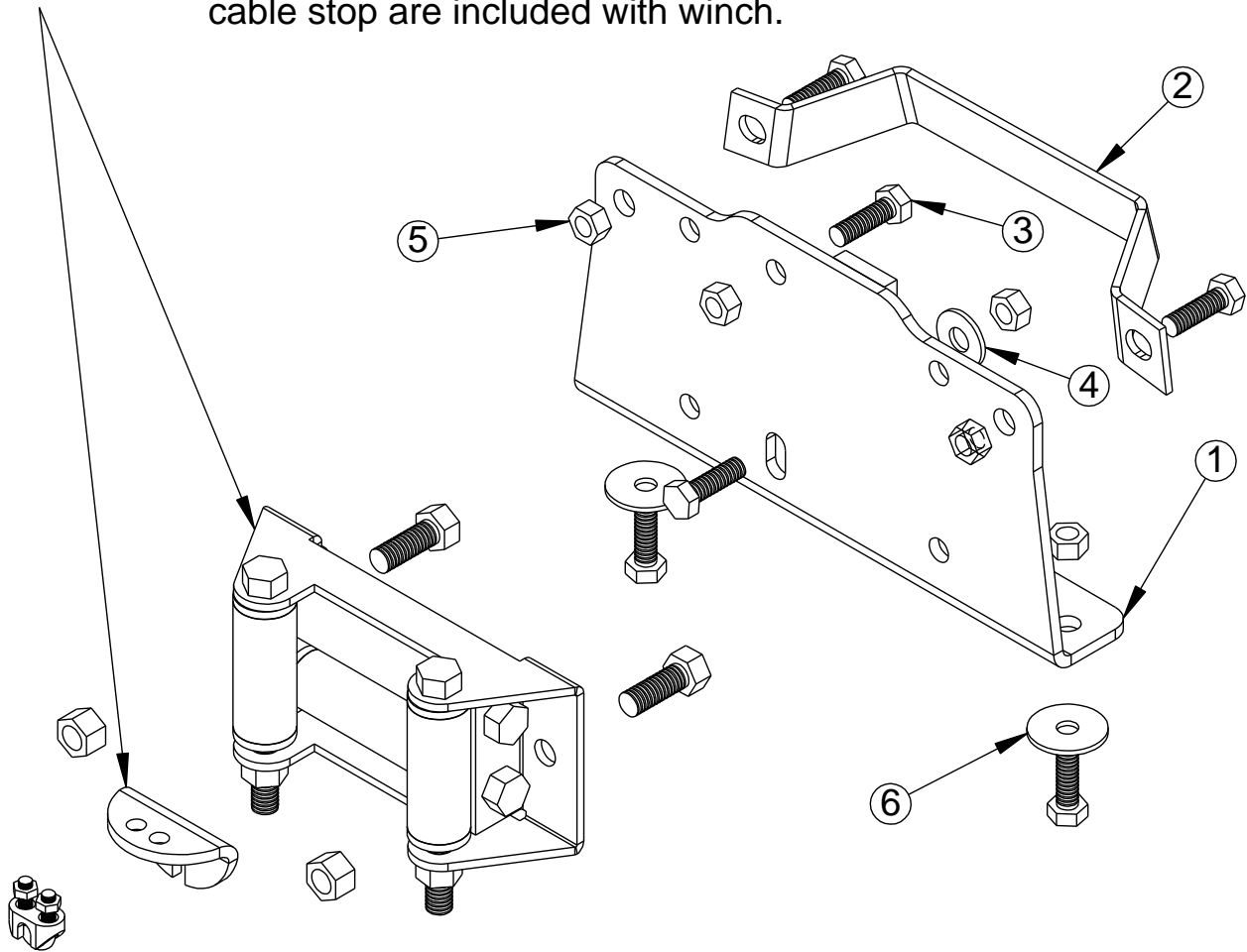
**WINCH
MOUNT KIT
For BOMBARDIER ATVs**

OWNER'S MANUAL

MODEL NUMBER: 25-7060

**CUSTOMER MUST RECEIVE A COPY OF THIS
OWNER'S MANUAL AT TIME OF SALE**

Please Note: The roller hawse, cable clamp and cable stop are included with winch.



Model Number 25-7060 Parts List

ITEM NO.	QTY.	PART NO.	DESCRIPTION
1	1	CYC5452	Winch Mount Weldment
2	1	CYC5453	Strap
3	6	PUR3012	M8 x 25mm Hex Bolt
4	1	PUR3087	Flatwasher M8
5	6	PUR3068	Locknut M8 Nylock
6	2	PUR3093	Fender Washer M8

Hardware package part No. CYC5758

THIS WINCH MOUNTING KIT CAN BE USED TO MOUNT EITHER A CYCLE COUNTRY 1500/2500 WINCH OR A WARN 2500/3000 WINCH TO YOUR ATV.

All directions referring to right and left are when the rider is sitting on the machine. Please Note: The roller hawse, cable clamp, cable stop and related hardware are included with the winch.

MODEL NUMBER 25-7060 WINCH MOUNT INSTALLATION INSTRUCTIONS

1. Remove two front 10mm bolts and two bottom 6mm bolts on the front plastic shroud (there will be two remaining 6mm bolts that attach the front plastic bumper to the front body plastic).
2. Go to instructions for your winch.

CYCLE COUNTRY 1500 WINCH MOUNTING INSTRUCTIONS

- Using the M8 x 25mm bolts, mount the winch to the winch mount plate using the center two hole positions and positioning the bolt head for the top hole so that the bolt head is on the same side as the spacer that is welded onto the back of the winch mount plate. (*See parts list*) Use washer on slotted hole as shown in parts list. Be sure that when the winch is mounted to the ATV, the winch motor is on the **LEFT** side of the machine.
- Go to Step 3

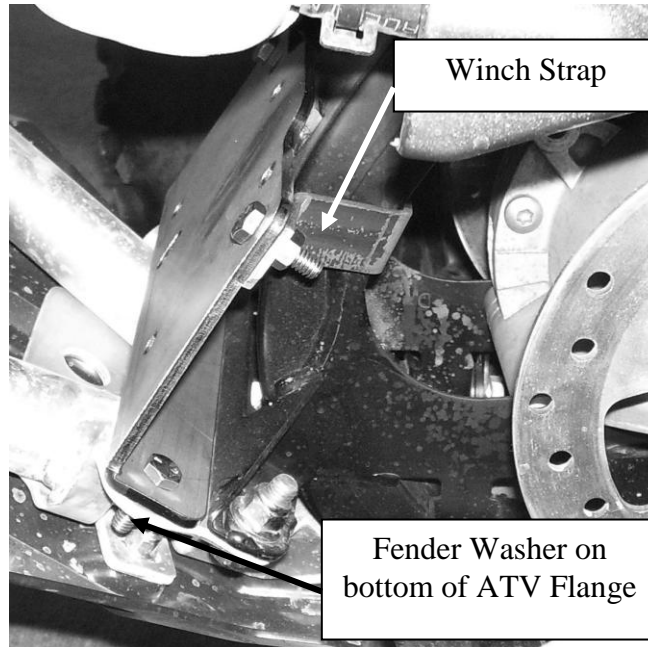
CYCLE COUNTRY 2500 WINCH MOUNTING INSTRUCTIONS

- Using the four bolts PROVIDED WITH THE CYCLE COUNTRY WINCH, attach the winch to the winch mount plate. The roller hawse mount plate supplied with the winch will not be used. Be sure that when the winch is mounted to the ATV, the winch motor is to the **RIGHT** side of the machine.
- Go to Step 3.

WARN 2500/3000 WINCH MOUNTING INSTRUCTIONS

- Using the four bolts PROVIDED WITH THE WARN WINCH, attach the winch to the winch mount plate. The roller hawse mount plate supplied with the winch will not be used. Be sure that when the winch is mounted to the ATV, the winch motor is to the **RIGHT** side of the machine.
- Go to Step 3.

3. Mount the winch and the winch mount plate to the ATV using two M8 x 25mm bolts, two nylock nuts and two fender washers. The fender washers go on the bottom of the ATV mounting flange. *See picture below.* Shown without winch mounted for clarity.



4. Mount the winch wrap to the top of the winch mount plate and around the center steel frame that the winch mount plate is resting against, using two M8 x 25mm bolts and nylock nuts. *See picture above.* **Tighten all hardware at this time.**
5. At this time remove one of the long rollers and the two side rollers of the roller hawse and feed the cable and clevis through the roller hawse. Reinstall the rollers and be sure rollers move freely.
6. Mount the roller hawse to the front of the ATV using the two 10mm bolts removed earlier from the front of the ATV.
7. Reinstall the two 6mm bolts and Nuts removed earlier from the front of the ATV.

See Winch Wiring Instructions supplied with the Winch for proper installation.



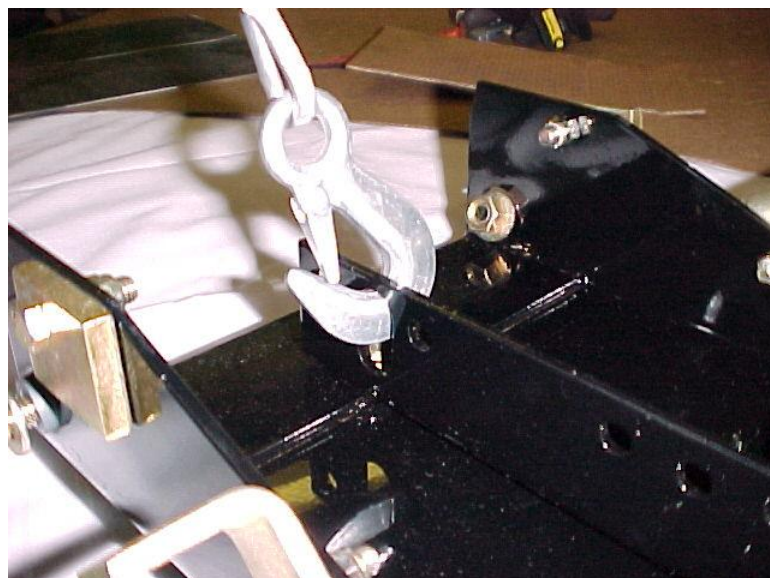
CAUTION

BE AWARE OF THE CABLE STOP CONTACTING THE ROLLER HAWSE WHEN THE CABLE IS WOUND IN.

FAILURE TO RELEASE THE SWITCH MAY CAUSE DAMAGE TO WINCH PARTS OR TO THE ATV.

When using the Winch to raise and lower a Cycle Country Plow, a Cable Stop must be installed.

Hook the Winch Cable to the CYC0345 (U608) (item #4 on your 15-0001 push tube kit) through the slotted hole. Carefully raise the blade until the top of the push tube are no closer than 1" anywhere on the ATV. Place the Cable Stop onto the Winch Cable up against the Winch Hawse. Secure the Cable Stop to the Winch Cable using the Cable Clamp Assembly as shown in the pictures below.





One Year Limited Warranty

For the period of one (1) year from the purchase date, Cycle Country (a Kolpin Powersports Brand) will replace for the original purchaser, free of charge, any part or parts found upon examination by Cycle Country to be defective in material, workmanship, or both.

All transportation costs incurred submitting product to Cycle Country for warranty consideration must be borne by the purchaser. If Cycle Country determines that the product must be returned to the factory for credit, please call 1-800-841-2222 for a Return Merchandise Authorization (RMA) number and shipping instructions.

This warranty does not apply to parts that have been damaged by accident, alteration, abuse, improper maintenance, normal wear, or other causes beyond the manufacturer's control. In order to protect you and your ATV, certain parts of the plow system and/or hardware are designed to fail when the equipment is over-stressed.

Peripheral products such as engines, electric motors, and actuators may carry an original manufacturer's warranty. Please call Cycle Country for more information.

CYCLE COUNTRY
(A KOLPIN POWERSPORTS BRAND)
205 N DEPOT ST
PO BOX 107
FOX LAKE, WI 53933
TOLL FREE: 800-841-2222
FAX: 712-262-0248
EMAIL: CCAC@CYCLECOUNTRY.COM
WEBSITE: WWW.CYCLECOUNTRY.COM