



SNOW PLOW BLADE WINGS

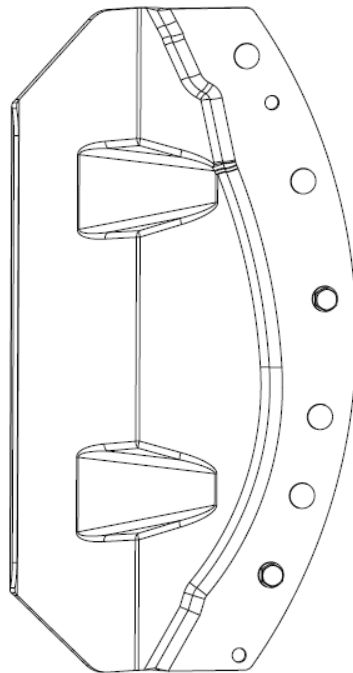
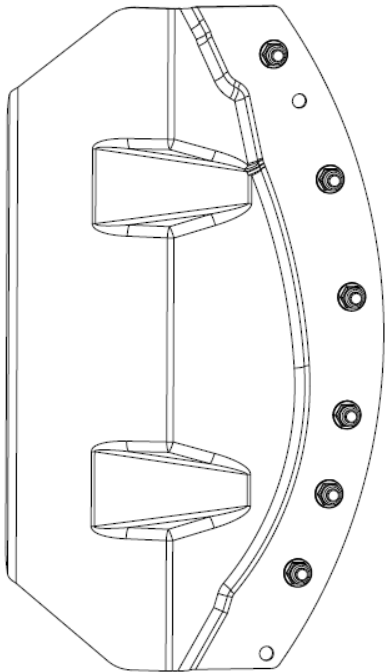
P/N 31-0010

ASSEMBLY / INSTALLATION MANUAL

Application

PLOW BLADES NO. 31-0048, 31-0052, 31-0060, 31-0066 or 31-0072

Before you begin, please read these instructions and check to be sure all parts and tools are accounted for. The following instructions contain details required to install and service the contents of this kit.



OPERATING INSTRUCTIONS

Congratulations! You've just purchased one of the industry's top plow system component accessory. The Plow Blade Wings work great for all types of plowing. With proper care and maintenance, your plow wings will last for many years! The Plow Wings allow for greater control of snow moving and increases capacity by adding 4 inches (10.16 cm) to your blade width when used as a pair. Additionally, the wings will handle light to medium-duty summer landscape work.

NOTICE

Plow operation requires additional components for operation: *Kolpin Plow Blade, Kolpin Plow Push Frame, High Rise Plow Push Frame, Winch Kit, Mid-Body ATV / UTV Plow Mount* *

**These components may be specific to your vehicle.*

Please read and understand all assembly instructions, notices and warnings before assembling and operating your plow system.

Follow these guidelines to ensure satisfactory operation:

- Read this manual and your ATV/ UTV operators manual before use.
- Periodically check for wear and tightness of all fasteners. Replace or re-torque fasteners as necessary.
- Before first use, set plow in the furthest right or left angled position to check for clearance between the plow and front tires.
- Operate with extreme caution on slopes and rough terrain. Be familiar with the area before you plow.
- Be aware of immovable objects that could be hidden in the area you are plowing.
- To avoid damage when pushing snow into a pile, reverse direction before raising the plow blade.
- Do not ram the plow blade into piles of snow or immovable objects.
- For best results, set the suspension preload of your ATV/ UTV to the stiffest setting.
- To reduce steering effort and increase mobility, set the air pressure of your tires to the maximum pressure specification.
- The plow skids are adjustable. General skid setting is even with the plow wear bar bottom edge, higher settings reduce the chance of rocks and gravel from being collected.
- To increase traction during plow operation, operators can try: Securing weight to the ATV/ UTV for additional tire downforce, reducing tire air pressure, or installing tire chains.
- Be aware of the added width to your snow blade using the plow wings to make sure damage to property does not result.

SAFETY INFORMATION

Our plow systems were designed with your safety in mind. Please read and understand all Cautions, Notices and Warnings in this manual before you begin. In order to protect you and your ATV, certain parts of the plow system and/or hardware are designed to fail when the equipment is over-stressed.



DANGER

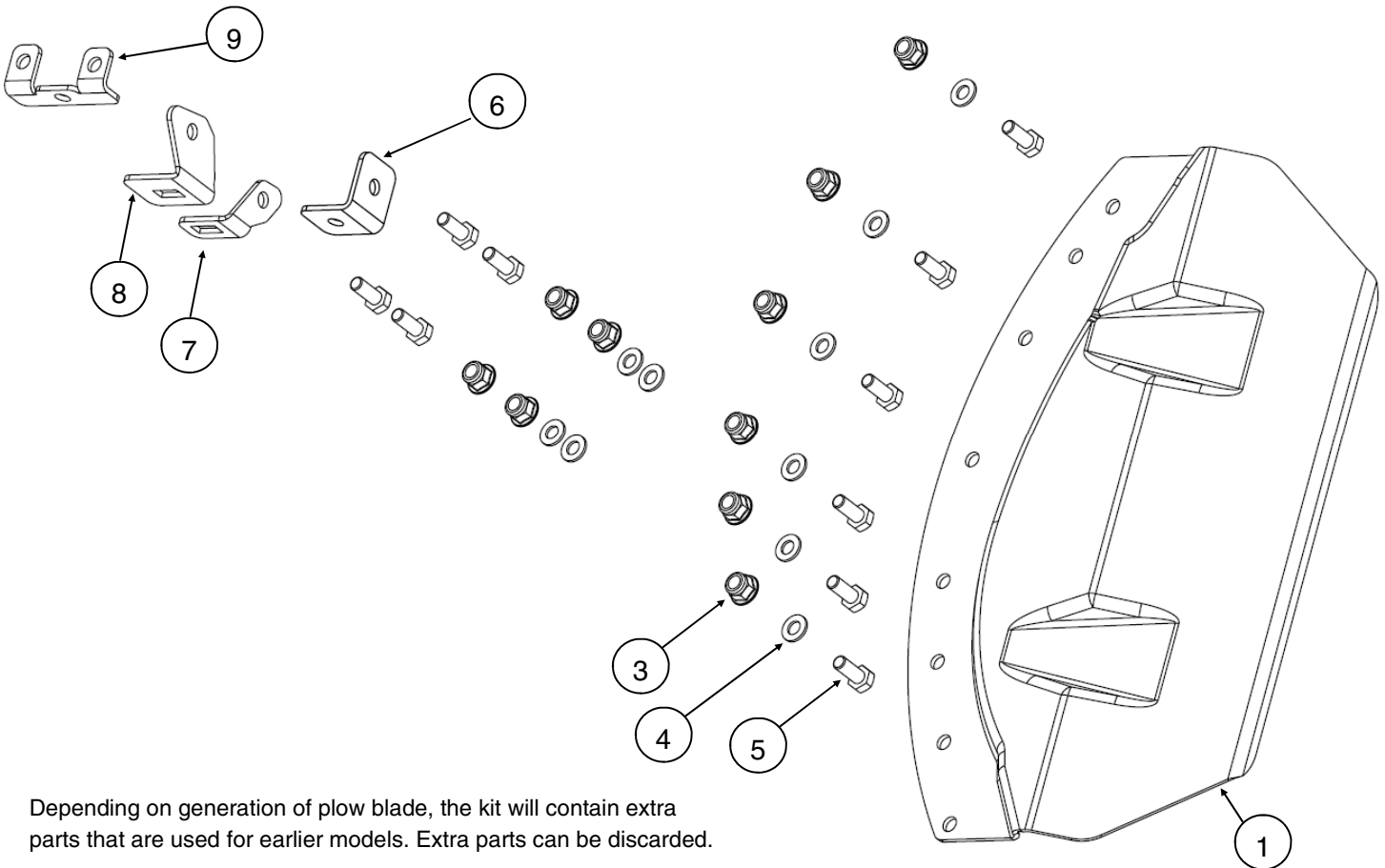


TO AVOID SERIOUS INJURY OR DEATH:

1. **DO NOT EXCEED 5 MPH (8 KMH) WITH BLADE INSTALLED.**
2. **OPERATE WITH EXTREME CAUTION ON SLOPES, STEEP GRADES, AND ROUGH TERRAIN.**
3. **ALLOW NO RIDERS ON BLADE OR ATV WHILE MOVING OR STATIONARY.**
4. **KEEP BYSTANDERS AWAY FROM THE BLADE OR ATV WHILE MOVING OR STATIONARY.**
5. **WHEN PUSHING HEAVY MATERIAL, DIRECTION CONTROL MAY BECOME DIFFICULT.**
6. **BEFORE ADJUSTING BLADE: STOP ATV ENGINE; SET AND LOCK BRAKES; RAISE AND LOCK BLADE IN UP POSITION. DO NOT ATTEMPT TO RAISE BLADE BY HAND; USE THE LIFT MECHANISM ONLY.**
7. **LOWER BLADE TO DOWN POSITION WHEN BLADE AND ATV ARE NOT IN USE.**
8. **READ BLADE'S INSTRUCTION SHEETS AND ATV OWNER MANUAL.**

Kit Contents:

Item	Qty	Part Description	Part Number
1	1	Left Wing Plate	-
2	1	Right Wing Plate (not shown)	-
3	16	Hex Flange Nylon Nut, M8-1.25	-
4	16	Flat Washer, M8	-
5	16	Hex Bolt, M8-1.25 x 20mm LG	-
6	2	90° Straight Adapter Bracket	-
7	1	Left Bottom Edge Adapter Bracket	-
8	1	Left Top Edge Adapter Bracket	-
9	1	Left Middle Edge Adapter Bracket	-
10	1	Right Middle Edge Adapter Bracket (not shown)	-
11	1	Right Bottom Edge Adapter Bracket (not shown)	-
12	1	Right Top Edge Adapter Bracket (not shown)	-
13	1	Instruction Guide (not shown)	-



BEFORE YOU BEGIN:

- Your Kolpin accessory is exclusively designed for your vehicle.
- Please read and understand all instructions.
- Verify all parts and tools are accounted for.
- To ensure a satisfactory installation, follow all steps correctly and in the sequence described.
- Keep these instructions for future reference or for informational requests.
- To facilitate installation, make sure that your vehicle is clean and free of debris.
- All directions referring to right and left are when the rider is sitting on the machine.

TOOLS REQUIRED:

- 13mm Wrench
- 13mm Socket
- 9.0mm Drill Bit for older generation blades (11/32" dia or letter S or T will work too)

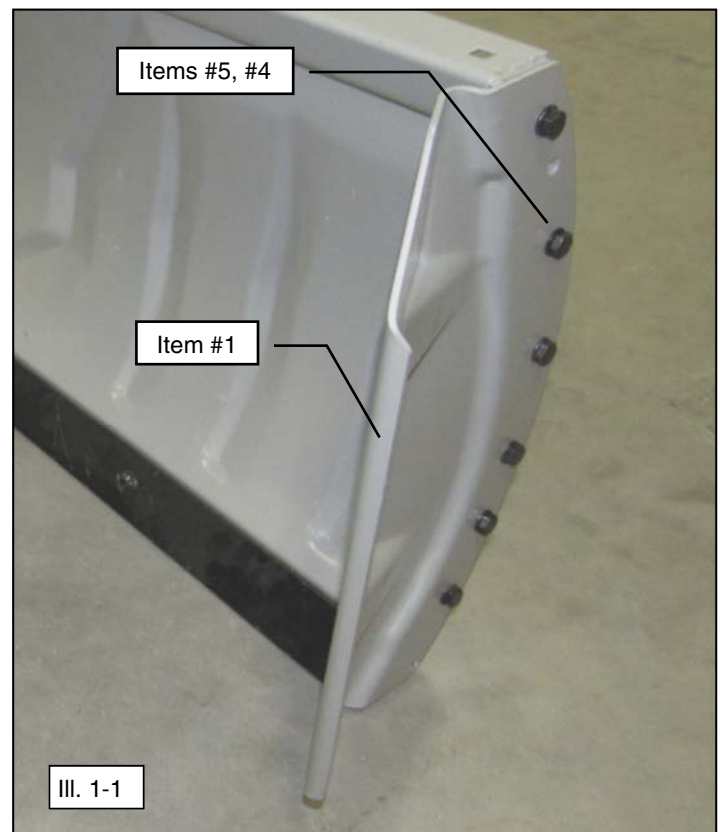
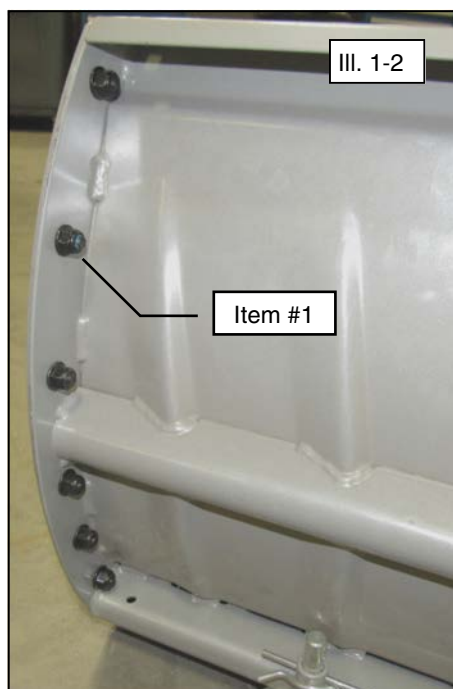
APPROXIMATE ASSEMBLY TIME: 15 minutes


Note: Additional time may be required to accommodate other installed accessories.

Note: If any hardware is missing, do not return to the store. Call us to help, Toll Free 1-877-956-5746.

WING INSTALLATION ONTO NEW GENERATION BLADES WITH SIDEWALLS:

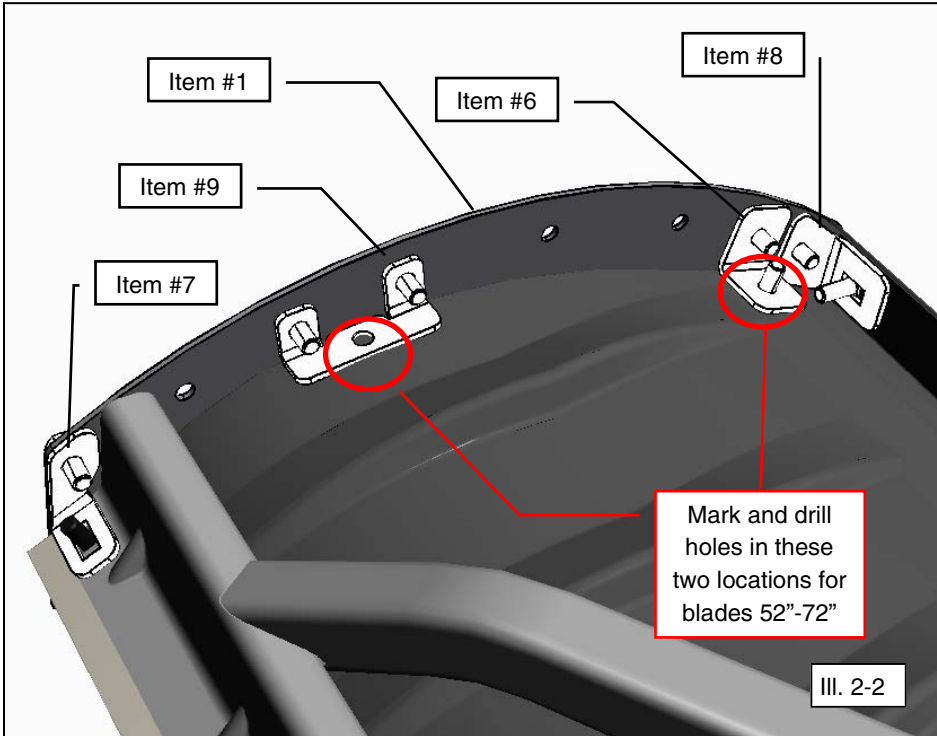
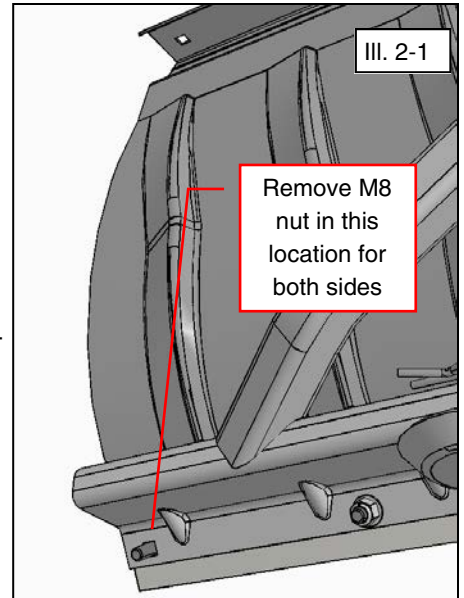
1. Install left wing plate (item #1) onto the left blade edge. Match up the wing hole pattern with the hole pattern on blade sidewall. Attach wing to sidewall using M8 bolts (item #5) with flat washers (item #4) as shown. Fasten using M8 locknuts (item #3). Tighten to M8 specification. (See illustrations 1-1 and 1-2). **Note, each wing plate is formed to match end of blade side profile.**
2. Repeat installation for the right side.



 = T
8MM FASTENER TORQUE:
17 ft. lbs. (23 Nm)

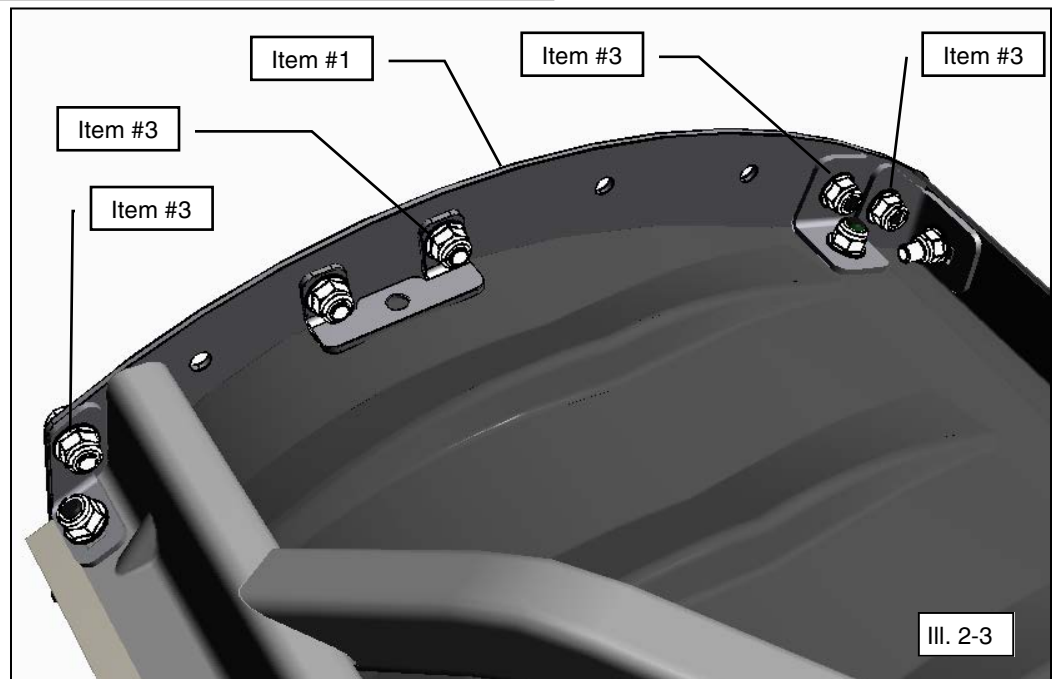
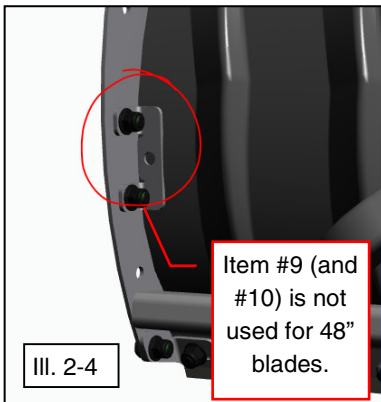
WING INSTALLATION ONTO OLDER GENERATION BLADES WITHOUT SIDEWALLS:

1. Remove lower M8 locknut for fastening the end of wear bar as shown. (See illustration 2-1).
2. Install left wing plate (item #1) onto the left edge. **Note, each wing plate is formed to match end of blade side profile.**
3. Match up the wing hole pattern with the bracket adapters (items #6, #7, #8, and #9) as shown. Mark locations into blade and using 9.0mm drill bit or equivalent, drill thru blade in the two locations. Attach wing to sidewall using M8 bolts (item #5) with flat washers (item #4). Fasten using M8 locknuts (item #3). Tighten to M8 specification. (See illustrations 2-2 and 2-3). **Note, for 48" blade, the middle bracket is not used.**
4. Repeat installation for the right side.



= T

8MM FASTENER TORQUE:
17 ft. lbs. (23 Nm)





One Year Limited Warranty

For the period of one (1) year from the purchase date, Kolpin will replace for the original purchaser, free of charge, any part or parts found upon examination by Kolpin to be defective in material, workmanship, or both.

All transportation costs incurred submitting product to Kolpin for warranty consideration must be borne by the purchaser. If Kolpin determines that the product must be returned to the factory for credit, please call 1-877-956-5746 for a Return Merchandise Authorization (RMA) number and shipping instructions.

This warranty does not apply to parts that have been damaged by accident, alteration, abuse, improper maintenance, normal wear, or other causes beyond the manufacturer's control. In order to protect you and your ATV, certain parts of the plow system and/or hardware are designed to fail when the equipment is over-stressed. Parts that are lost due to loosening and improper maintenance are not covered under warranty. This warranty does not cover removal or reinstallation labor fees of the plow system and related components.

Peripheral products such as engines, electric motors, and actuators may carry an original manufacturer's warranty. Most hardware is general in nature and is easily obtained locally. Be sure to replace with minimum metric class 8.8 specification.

Kolpin Outdoors, Inc.

Telephone: (763)-478-5800

Toll Free: (877)-956-5746

Fax Number: (800)-245-7569

www.kolpin.com

Email: customerservice@kolpin.com