



SPREADER MOUNT KIT

FOR POLARIS ATV's

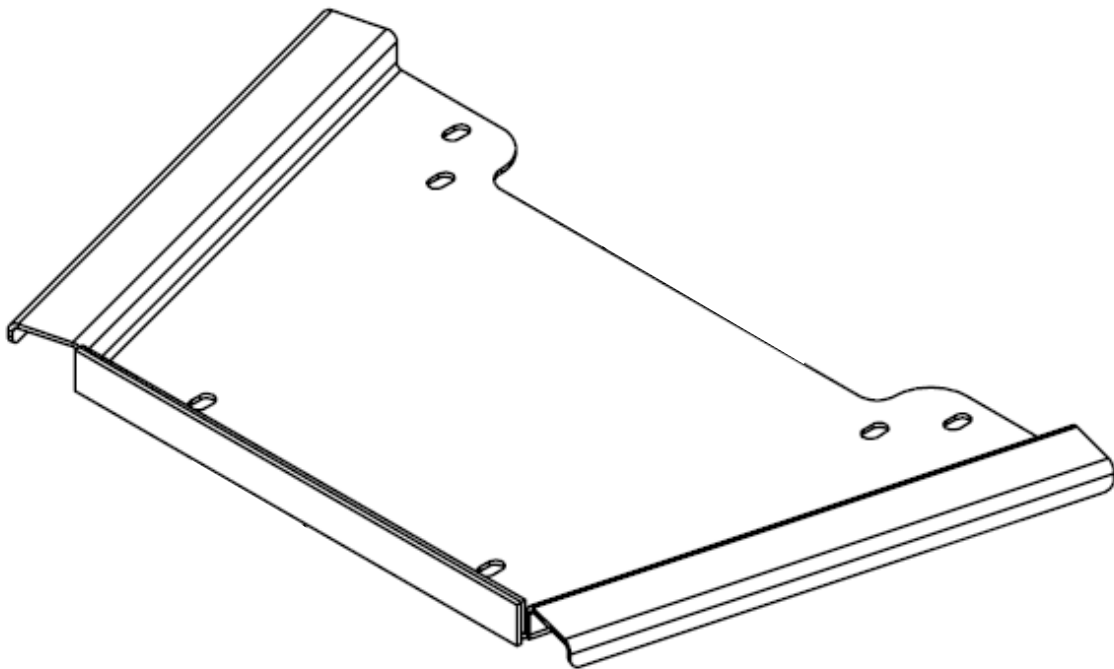
P/N 50-1010

ASSEMBLY / OWNERS MANUAL

Application

SPREADER NO. 50-1000

Before you begin, please read these instructions and check to be sure all parts and tools are accounted for. The following instructions contain details required to install and service the contents of this kit.



OPERATING INSTRUCTIONS:

Read Completely Before Operating

Warning:

1. Read spreader owner's manual and ATV operator's manual before use.
2. Stop the engine, lock the brakes, and remove the ignition key before dismounting from your ATV.
3. When spreading seed or fertilizer, it is recommended that you use safety goggles.
4. The spreader is not designed for road speeds above 10 mph.
5. Reduce speed on hillsides or curves to avoid the danger of tipping.

Operation:

Your ATV broadcast spreader can be used to broadcast most seed (except those planted in rows) as well as all granular fertilizers. In winter, you can control ice and snow by spreading granular ice control materials.

This spreader is capable of using an agitator in the hopper, you can do so by adding a bolt/nut or wire to the shaft. Sleeve agitator through holes provided; be sure to firmly tighten an agitator to prevent it from coming loose and falling off. **Note: Using an agitation pin can cause the motor to slow or stop, if this occurs shut motor off and unplug quick connector. Break up any clumps in hopper using a dowel or bar.**

Some bearded seeds (such as fescue and brome grass) can bridge over the seed gate opening and cause erratic seed flow which will result in skips and misses in the spread pattern. The above problem can be helped by mixing the seed with dry sand (50/50 mix) then adjust the seed gate accordingly to compensate. It will spread granular calcium chloride, if dry and free flowing.

General Guidelines:

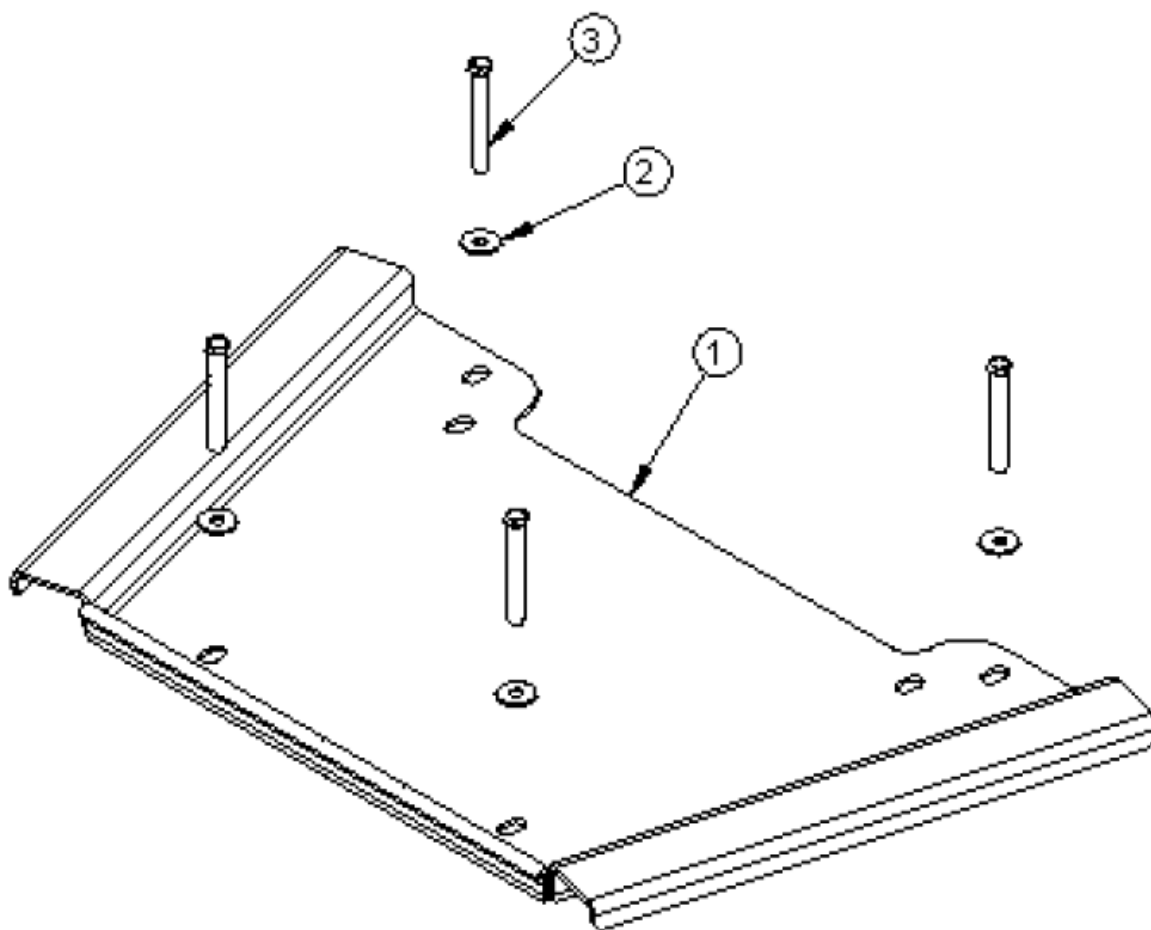
1. Fill the hopper near the spreading location. Transporting a full hopper (especially with fertilizer) over long distances may cause material packing, resulting in poor or erratic discharge.
2. For best results, use fertilizer pellets, to reduce clumping and dust.
3. Be sure to sift or break up lumps commonly found in some types of granular fertilizer before filling hopper.
4. Do not use on windy days, especially when spreading fine grass seed.
5. Use of herbicides (especially broadleaf weed killers) is **NOT RECOMMENDED**, as there is a possibility of wind drift or overthrow of material.
6. For best results, cover area twice at 1/2 of the recommended material usage rate. On the second pass, run halfway between the first spreading width or in a criss-cross pattern. This method allows the most complete and even coverage and also gives the operator a chance to adjust gate setting to compensate for too thin or too heavy of a covering on the first pass.
7. When broadcasting fertilizer, always start the vehicle in motion before opening the feed gate. (Do not allow vehicle to sit stationary with feed gate open). If fertilizer is accidentally deposited too heavily in a small area, soak thoroughly with garden hose or sprinkler to prevent chemical burning.
8. The amount of seed or fertilizer broadcast depends on the size of the hopper gate opening and the speed of the vehicle. When spreading use approximate vehicle speed of **4 MPH**. A vehicle traveling at 4 mph will go 100 feet in 17 seconds. Be sure the vehicle engine is running fast enough for the generator to properly charge the battery. On some vehicles it may be necessary to use a lower gear to maintain an adequate engine speed for charging the battery.
9. With the gate closed, fill the hopper with the material to be spread at the usage site. **DO NOT** transport fertilizer in the hopper over long distances as it may clump, resulting in erratic discharge or a hopper jam.
10. The two-part deflector shield (item 10) may be moved apart or together to narrow or broaden, respectively, the spreading pattern.

Maintenance:

Your ATV spreader is relatively maintenance free. The high density polyethylene hopper is impervious to acids, alkalis and salt, and will not rust or corrode. After each use, remove the spreader from the ATV and clean thoroughly. When washing the spreader, completely cover the motor, and switch to protect it from water or corrosive solutions. If the motor or switch is not protected, damage may occur. Wipe clean with a brush or rag and apply a light amount of oil to the motor with a rag. Do not over oil. Store the spreader in a dry location.

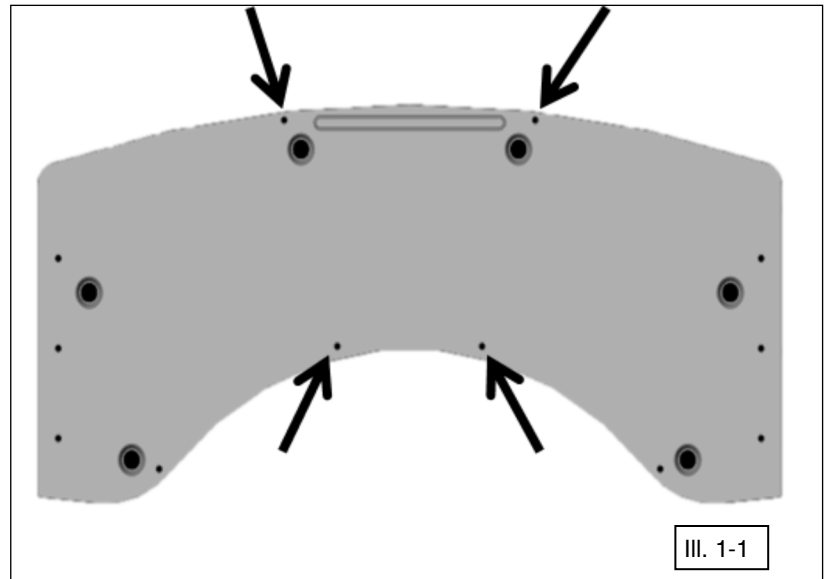
Kit Contents:

Item	Qty	Part Description	Part Number
1	1	Mount Plate	-
2	1	Flat Washer, Zinc Plated, M6	-
3	4	Hex Bolt, Zinc Plated, M6-1.25 x 60mm LG	-
4	1	Instruction Guide (not shown)	-

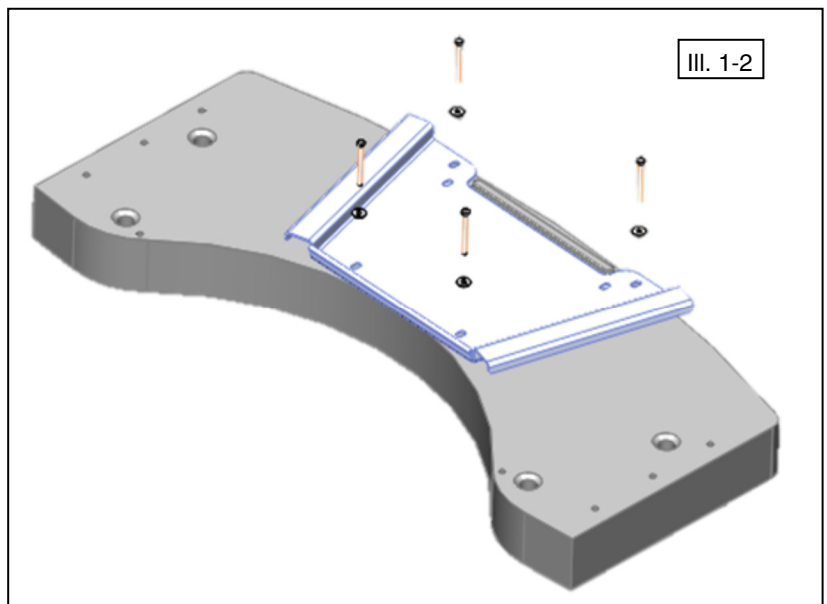


Assembly Instructions

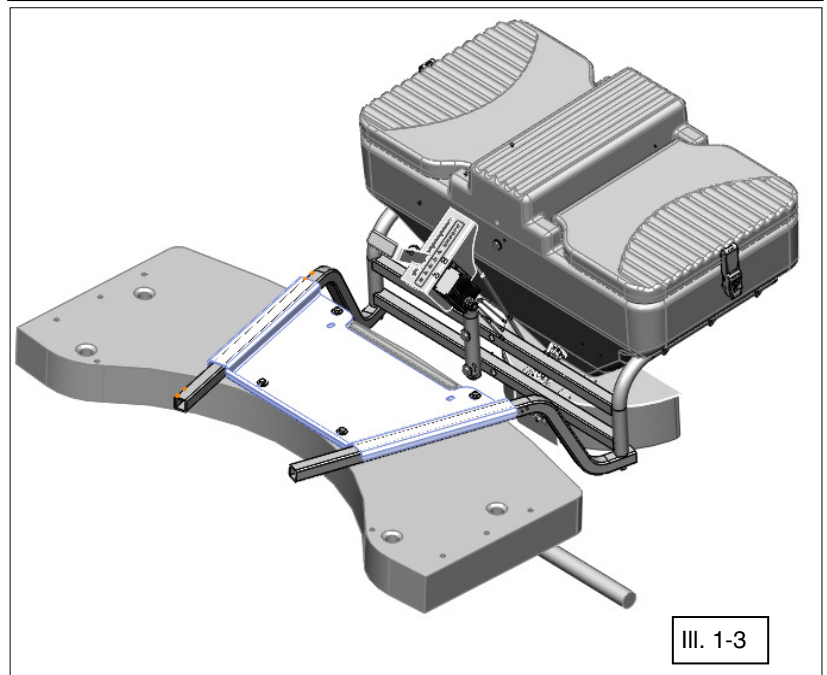
1. Remove (4) OEM torx head screws from the rear ATV rack. (See illustration 1-1).



2. Attach mount plate to ATV rack using hardware provided in the mount kit. Do not tighten at this time. (See illustration 1-2).



3. Insert Spreader arms under mount and secure hex bolts. (See illustration 1-3).



WARNING: This product contains a chemical known to the State of California to cause cancer.



One Year Limited Warranty

For the period of one (1) year from the purchase date, Kolpin will replace for the original purchaser, free of charge, any part or parts found upon examination by Kolpin to be defective in material, workmanship, or both.

All transportation costs incurred submitting product to Kolpin for warranty consideration must be borne by the purchaser. If Kolpin determines that the product must be returned to the factory for credit, please call 1-877-956-5746 for a Return Merchandise Authorization (RMA) number and shipping instructions.

This warranty does not apply to parts that have been damaged by accident, alteration, abuse, improper maintenance, normal wear, or other causes beyond the manufacturer's control. In order to protect you and your ATV, certain parts of the accessory system and/or hardware are designed to fail when the equipment is over-stressed. Parts that are lost due to loosening and improper maintenance are not covered under warranty. This warranty does not cover removal or reinstallation labor fees of the plow system and related components.

Peripheral products such as engines, electric motors, and actuators may carry an original manufacturer's warranty. Most hardware is general in nature and is easily obtained locally. Be sure to replace with minimum metric class 8.8 specification.

Kolpin Outdoors, Inc.

Telephone: (763)-478-5800

Toll Free: (877)-956-5746

Fax Number: (800)-245-7569

www.kolpin.com

Email: customerservice@kolpin.com