

Polaris Sportsman 2" Receiver

Product Instructions | Part No: 85185

Kit contents:

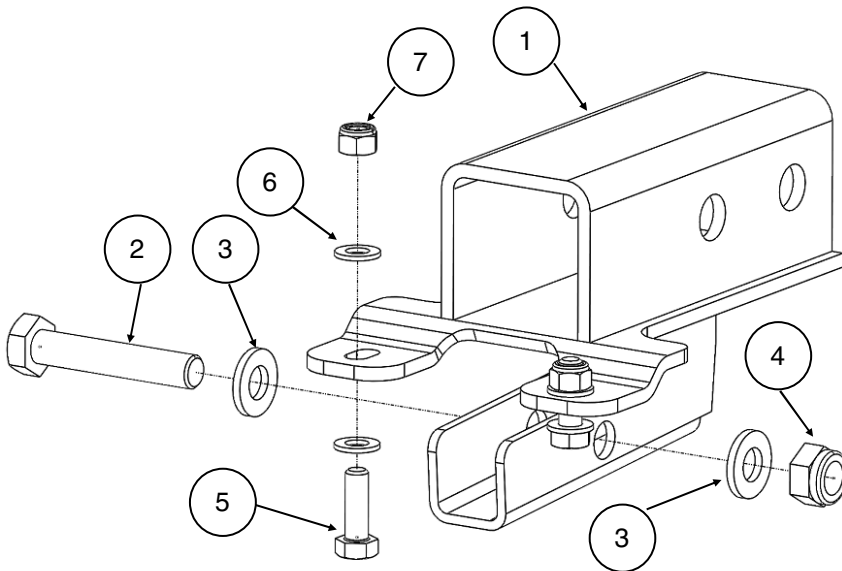
Item	Qty	Part Description
1	1	Hitch Weldment
2	1	Hex Bolt, Zinc Plated, M12-1.75 x 65mm LG
3	2	Flat Washer, Zinc Plated, M12
4	1	Hex Locknut, Zinc Plated, M12-1.75
5	2	Hex Bolt, Zinc Plated, M8-1.25 x 25mm LG
6	4	Flat Washer, Zinc Plated, M8
7	2	Hex Locknut, Zinc Plated, M8-1.25
8	1	Instruction Sheet (not shown)

Hitch Mounting Instructions:

Note: If any hardware is missing, do not return to the store. Call us to help, Toll Free 1-877-956-5746.

- Slide hitch (item #1) into the rear 1-1/4" vehicle receiver.
Note, installation may be easier if certain items are removed from vehicle first.
- Install M12 bolt (item #2) and washers (item #3) thru bottom hitch hole and thru the 1-1/4" vehicle receiver.
- Loosely fasten with M12 locknut (item #4) and washer (item #3).
Do not tighten at this step.
- Secure hitch to vehicle using M8 bolts (item #5), washers (item #6) and M8 locknuts (item #7).
- Tighten all hardware to specification.

WARNING: Do not over tighten hardware or damage can occur.



8MM FASTENER TORQUE:
17 ft. lbs. (23 Nm)

12MM FASTENER TORQUE:
50 ft. lbs. (67 Nm)

For additional assistance, please contact Kolpin customer service department at (877) 956-5746 or (763) 478-5800 or email customerservice@kolpin.com

Use and Care Information:

- Check the accessory mounts frequently and retighten hardware if necessary.
- Replace this accessory with a new one if it is damaged.
- Kolpin hitches are not intended for on-road use.

