



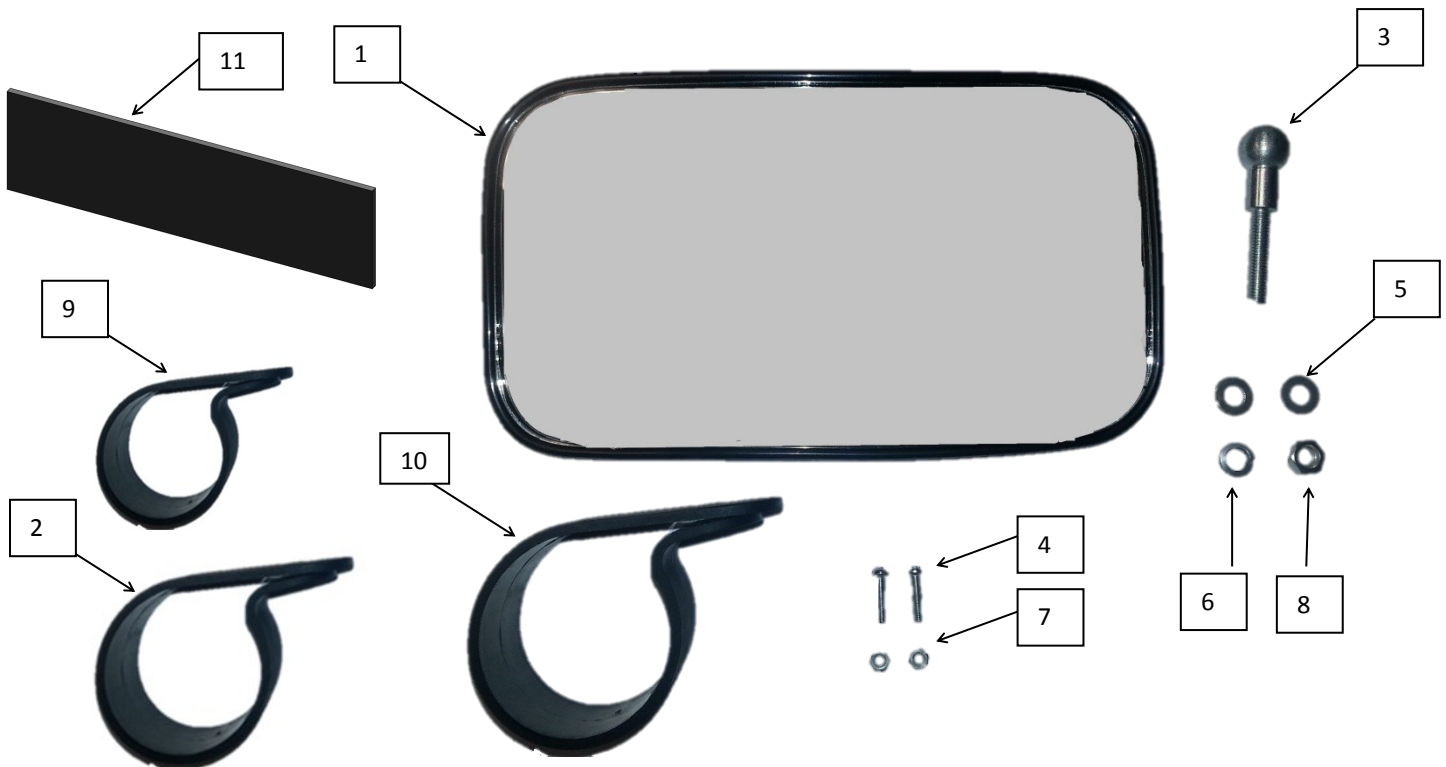
Kolpin UTV Rear Mirror - Universal

Product Installation Instructions | Part No: 98310

Please read and understand these instructions completely before installation to avoid injury to yourself or damage to the vehicle or accessory

Parts List:

ITEM	PART NAME	SPARE P/N	DESCRIPTION	QT
1	MIRROR	N/A	KOLPIN UTV MIRROR	1
2	1.75 OD CLAMP	KOL0365	PLASTIC CLAMP FOR 1.75" OD TUBING	1
3	BALL STUD	N/A	BALL STUD, M6 x 1 x 23mm	1
4	SCREW	N/A	M3 - 0.5 x 14mm PHILLIPS HEAD SCREW	2
5	WASHER	N/A	M6 FLAT WASHER	2
6	WASHER	N/A	M6 LOCK WASHER	1
7	NUT	N/A	M3 x .5 HEX NUT	2
8	NUT	N/A	M6 x 1 HEX NUT	1
9	1.50 OD CLAMP	KOL0362	PLASTIC CLAMP FOR 1.50" OD TUBING	1
10	2.0 OD CLAMP	KOL0366	PLASTIC CLAMP FOR 2.0" OD TUBING	1
11	FLAT SHIM	N/A	FLAT RUBBER SHIM	1

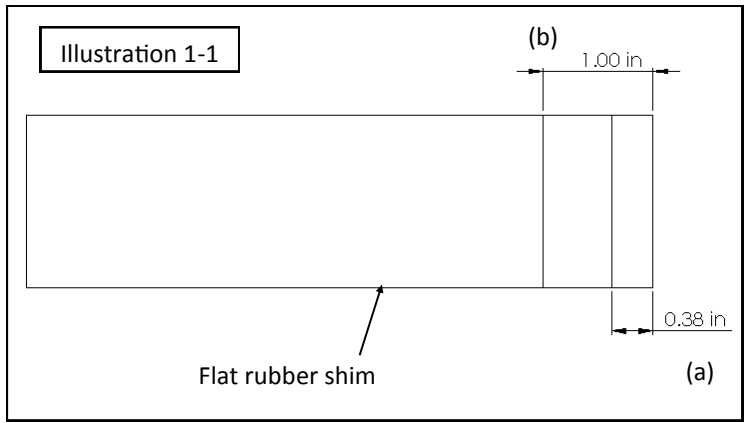


Kolpin Outdoors, Inc. | 9955 59th Ave N | Plymouth, MN 55442

(877) 956-5746 or (763) 478-5800 | www.kolpin.com | customerservice@kolpin.com

Install Preparation:

1. For **2.0"** , **1.75"** and **1.50"** OD tube size mounting applications, use the respective size plastic clamp (item 10 or item 2 or item 9).
2. For **1-7/8"** OD tube size mounting applications, use 2.0" clamp (item 10) with flat shim (item 11). The flat shim will be inserted between the clamp and vehicle tube.
3. For **1-5/8"** OD tube size mounting applications, use 1.75" clamp (item 2) with flat shim (item 11). The flat shim will be inserted between the clamp and vehicle tube. The flat shim will need to be trimmed to fit. Cut $3/8"$ of material from end of shim as shown. (See Illustration 1-1a).
4. For **1-3/8"** OD tube size mounting applications, use 1.50" clamp (item 9) with flat shim (item 11). The flat shim will be inserted between the clamp and vehicle tube. The flat shim will need to be trimmed to fit. Cut 1.0" (b) of material from end of shim as shown. (See Illustration 1-1b).



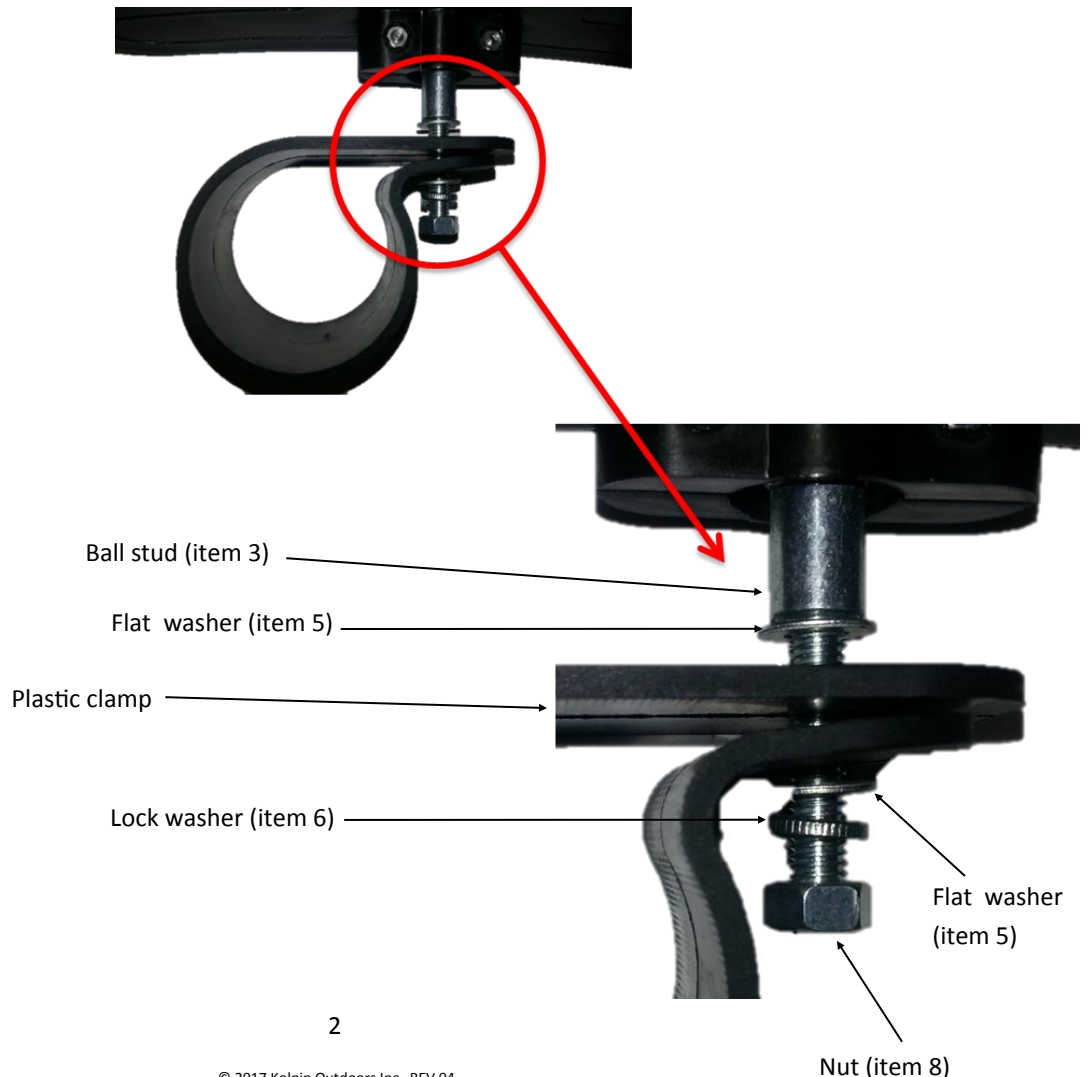
Mirror Mounting:

1. Place plastic P-clamp around vehicle tube in desired location. Secure mirror using M6 flat washers (item 5), M6 lock washer (item 6) and M6 nut (item 8) as shown below.

WARNING: Do not over tighten hardware or damage can occur.

For additional assistance, please contact Kolpin customer service department at (877) 956-5746 or (763) 478-5800

Note: If any hardware is missing, do not return to the store. Call us to help, Toll Free 1-877-956-5746.





One Year Limited Warranty

For the period of one (1) year from the purchase date, Kolpin will replace for the original purchaser, free of charge, any part or parts found upon examination by Kolpin to be defective in material, workmanship, or both.

All transportation costs incurred submitting product to Kolpin for warranty consideration must be borne by the purchaser. If Kolpin determines that the product must be returned to the factory for credit, please call 1-877-956-5746 for a Return Merchandise Authorization (RMA) number and shipping instructions.

This warranty does not apply to parts that have been damaged by accident, alteration, abuse, improper maintenance, normal wear, or other causes beyond the manufacturer's control. In order to protect you and your ATV, certain parts of the plow system and/or hardware are designed to fail when the equipment is over-stressed. Parts that are lost due to loosening and improper maintenance are not covered under warranty. This warranty does not cover removal or reinstallation labor fees of the plow system and related components.

Peripheral products such as engines, electric motors, and actuators may carry an original manufacturer's warranty. Most hardware is general in nature and is easily obtained locally. Be sure to replace with minimum metric class 8.8 specification.

Kolpin Outdoors, Inc.

Telephone: (763)-478-5800

Toll Free: (877)-956-5746

Fax Number: (800)-245-7569

www.kolpin.com

Email: customerservice@kolpin.com