

KOLPIN[®]

OUTDOORS

UTV Universal Side Mirror, Pair

Kit contents:

Product Instructions | Part No: 98330

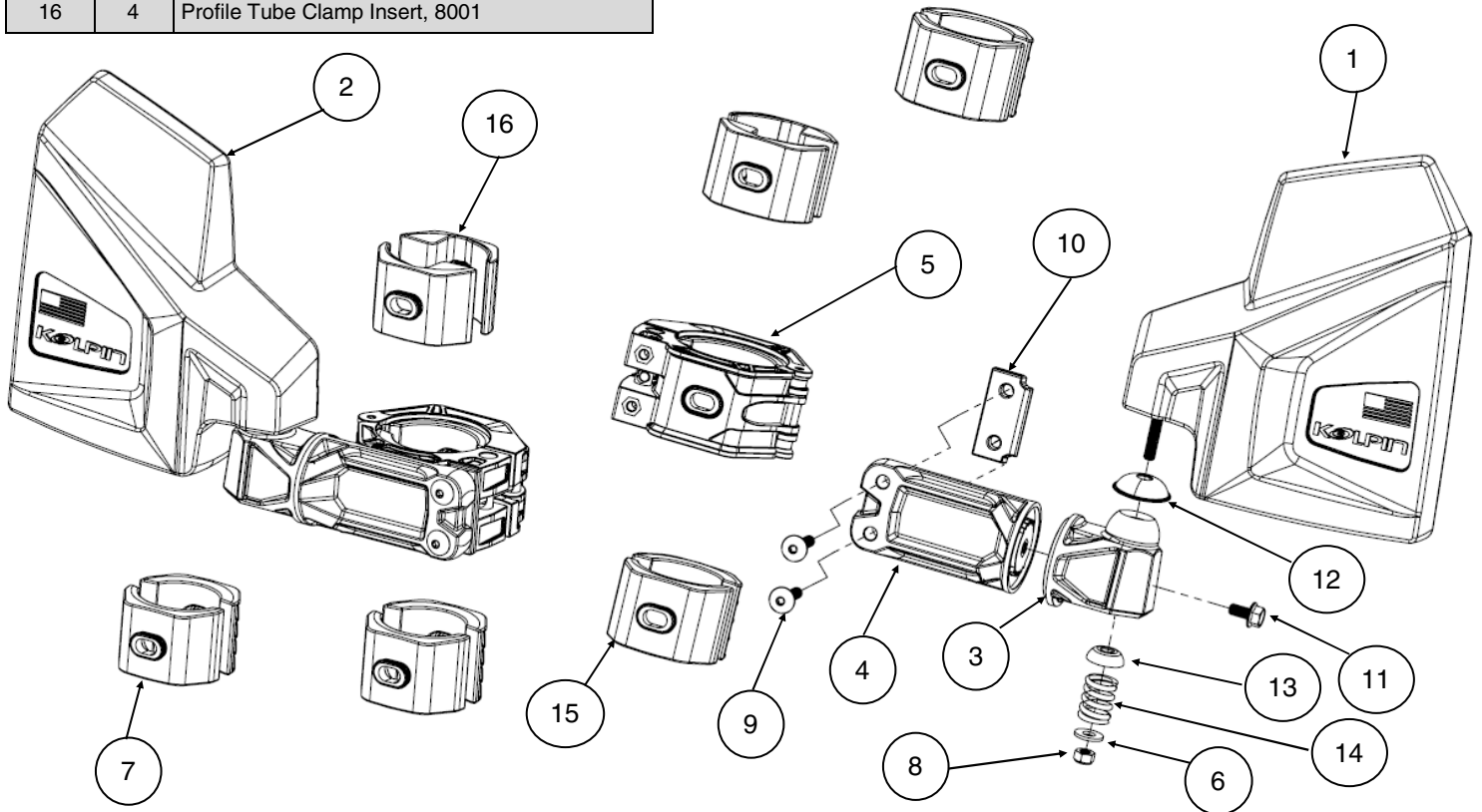
Item	Qty	Part Description
1	1	Side Mirror Assembly, Left
2	1	Side Mirror Assembly, Right
3	2	Mirror Pivot
4	2	Mirror Bracket
5	2	Universal Clamp Assembly
6	2	Fender Washer, Zinc Plated, M6
7	4	2.0" Tube Clamp Insert, 8002
8	2	Hex Locknut, Zinc Plated, M6-1.0
9	4	Truss Screw, Zinc Plated, M6-1.0 x 30mm
10	2	Windshield Spacer
11	2	Flange Hex Screw, Zinc Plated, M6-1.0 x 12mm
12	2	Large Domed Washer, Zinc Plated
13	2	Small Domed Washer, Zinc Plated
14	2	Compression Spring, Zinc Plated
15	4	1.75" Tube Clamp Insert, 8003
16	4	Profile Tube Clamp Insert, 8001

Mirror Install Preparation:

1. Remove the mirror assemblies from packaging. Verify that the mirrors are in good condition and that all the hardware is present. Items 1-14 will be pre-assembled.

Note: If any hardware is missing, do not return to the store. Call us to help, Toll Free 1-877-956-5746.

2. For 2.0" round tubing, the correct clamp inserts are pre-installed.
3. For 1.75" round tubing, remove both 2.0" inserts, item #7, from each clamp assembly. Install the 1.75" inserts, item #15, into each clamp assembly.
4. For Ranger and Defender profiled tubing, remove both 2.0" inserts, from each clamp assembly. Install the Profile inserts, item #16, into each clamp assembly.
5. For 1.875" round tubing, remove one 2.0" insert, item #7, from each



Kolpin Outdoors, Inc. | 9955 59th Ave N | Plymouth, MN 55442

(877) 956-5746 or (763) 478-5800 | www.kolpin.com | customerservice@kolpin.com

These mirrors are designed to quickly and easily universal mount to any tubular bar, specifically UTV roll cages. The kits fit tubing sizes from 1-3/4" to 2" in diameter and profiled tubing found on Ranger and Defender vehicles. The clamp can be used in the vertical and horizontal positions. *Note, installation may be easier if certain items are removed from vehicle first.*

Mirror Mounting Instructions:

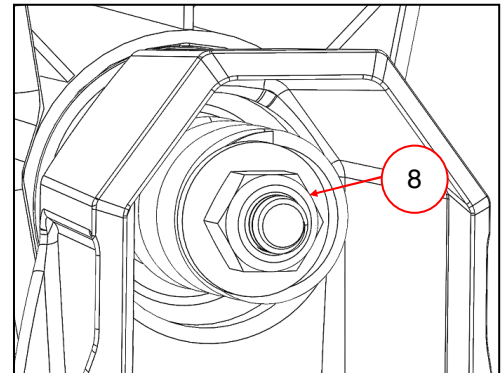
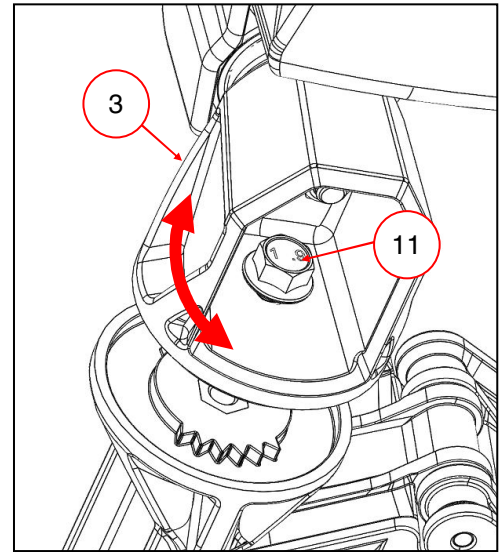
1. Position and clamp the assembled mirror onto the left A-pillar in desired location.
2. Adjust cam lock tension by rotating the threaded arm clockwise to tighten, counter-clockwise to loosen.
3. Loosen (turn counter-clockwise) the M6 flange hex screw (item #11) using a 10mm box end wrench just enough to separate the mirror pivot (item #3) from the clamp bracket (item #4).
4. Pivot mirror to desired angle by rotating the pivot bracket and then tighten (turn clockwise) the M6 flange hex screw (item #11) to secure.
5. You can also rotate the mirror in and out to desired viewing angle. To increase the amount of force needed to rotate mirror, simply tighten (turn clockwise) the tensioning nut (item #8) 2 revolutions.
6. Repeat steps 1-5 for installing the right side mirror onto the right A-pillar.

WARNING: Do not over tighten hardware or damage can occur.

Torque Charts:

Tighten all screws to their specified torque values listed.

Item	N*m	kgf*m	lbf*ft
9	5	0.5	4
11	1.4	0.1	1



Use and Care Information:

- Check the accessory mounts frequently and retighten if necessary.
- Replace this accessory with a new one if it is damaged or discolored excessively.
- When this accessory becomes dirty, rinse it thoroughly with cool water to remove loose dirt, then wipe with a clean cloth or sponge.
- Never use petroleum solvents such as gasoline, thinner, benzene, acid or alkaline cleaners.
- Side mirrors are not intended for on-road use.

SPARE KITS		Hardware kit P/N: 98330-HDW	Clamp kit P/N: 8000
Item	Description		
5	Universal Clamp Assembly		1x
6	Fender Washer, Zinc Plated, M6	1x	
7	2.0" Tube Clamp Insert, 8002		2x
8	Hex Locknut, Zinc Plated, M6-1.0	1x	
9	Truss Screw, Zinc Plated, M6-1.0 x 30mm	2x	
10	Windshield Spacer	1x	
11	Flange Hex Screw, Zinc Plated, M6-1.0 x 12mm	1x	
12	Large Domed Washer, Zinc Plated	1x	
13	Small Domed Washer, Zinc Plated	1x	
14	Compression Spring, Zinc Plated	1x	
15	1.75" Tube Clamp Insert, 8003		2x
16	Profile Tube Clamp Insert, 8001		2x

For additional assistance, please contact Kolpin customer service department at (877) 956-5746 or (763) 478-5800 or email customerservice@kolpin.com



One Year Limited Warranty

For the period of one (1) year from the purchase date, Kolpin will replace for the original purchaser, free of charge, any part or parts found upon examination by Kolpin to be defective in material, workmanship, or both.

All transportation costs incurred submitting product to Kolpin for warranty consideration must be borne by the purchaser. If Kolpin determines that the product must be returned to the factory for credit, please call 1-877-956-5746 for a Return Merchandise Authorization (RMA) number and shipping instructions.

This warranty does not apply to parts that have been damaged by accident, alteration, abuse, improper maintenance, normal wear, or other causes beyond the manufacturer's control. In order to protect you and your ATV, certain parts of the accessory system and/or hardware are designed to fail when the equipment is over-stressed. Parts that are lost due to loosening and improper maintenance are not covered under warranty. This warranty does not cover removal or reinstallation labor fees of the plow system and related components.

Peripheral products such as engines, electric motors, and actuators may carry an original manufacturer's warranty. Most hardware is general in nature and is easily obtained locally. Be sure to replace with minimum metric class 8.8 specification.

Kolpin Outdoors, Inc.

Telephone: (763)-478-5800

Toll Free: (877)-956-5746

Fax Number: (800)-245-7569

www.kolpin.com

Email: customerservice@kolpin.com