



Polaris Ranger UTV Roof Installation Instructions

Stock No.: 4440/4441

Please read and understand these instructions completely before installation to avoid injury to yourself or damage to the vehicle or accessory.

Dealer: These instructions contain important information for future reference and must be given to the customer at time of purchase or upon completion of installation.

Parts List:

ITEM	PART NAME	PART NO.	DESCRIPTION (60-4450)	QTY.
1	Roof Panel	10-444X-XX	Polaris Ranger UTV Roof — center panel	1
2	Roof Panel	10-4450-01	Polaris Ranger UTV Roof — passenger's side panel	1
3	Roof Panel	10-4450-02	Polaris Ranger UTV Roof — driver's side panel	1
4	Clamp	52-0017	Universal mounting clamp — male/top half	4
5	Clamp	52-0018	Universal mounting clamp — female/bottom half	4
6	Screw	75-0053	M8 x 35mm lg. socket head cap screw	4
7	Washer	76-0047	M8 serrated lock washer	4
8	Nut	77-0012	M8 nylock nut	4
9	Screw	75-0025	M6 x 60mm lg. button head cap screw	10
10	Washer	76-0056	M6 x 19mm O.D. bonded sealing washer, zinc-plated	10
11	Washer	76-0017	M6 x 25mm O.D. fender washer	6
12	Nut	77-0005	M6 nylock nut	10
13	Screw	75-0068	M6 x 75mm lg. hex head cap screw	2
14	Spacer	57-0009	M6 x 9.5mm thick black spacer	8
15	Spacer	57-0011	12.7mm O.D. x 7.62mm I.D. x 25.4mm thick white spacer	4
16	Washer	76-0012	M6 x 18mm O.D. fender washer	4
17	Foam Strip	11-4450-01	1.0" x 1.0" x 10.0" lg. self-adhesive EPDM foam	1
18	Foam Strip	11-4450-02	2.0" x 2.0" x 10.0" lg. self-adhesive EPDM foam	1

- 1) Mount the four sets of clamps on the vehicle's roll cage as indicated in **Image "A1"**. Insert the tongue of the top clamp into the groove of the bottom clamp and close the two halves as indicated in **Image "A2"**. Please note the tabs of the clamps face inward.
- 2) Continue mounting the clamps on the vehicle's frame by utilizing the supplied M8 x 35mm lg. socket head cap screws, M8 serrated lock washers and M8 nylock nuts as indicated in **Image "A3"**. **Do not tighten at this point. The clamps will need to be adjusted before fully tightened.**

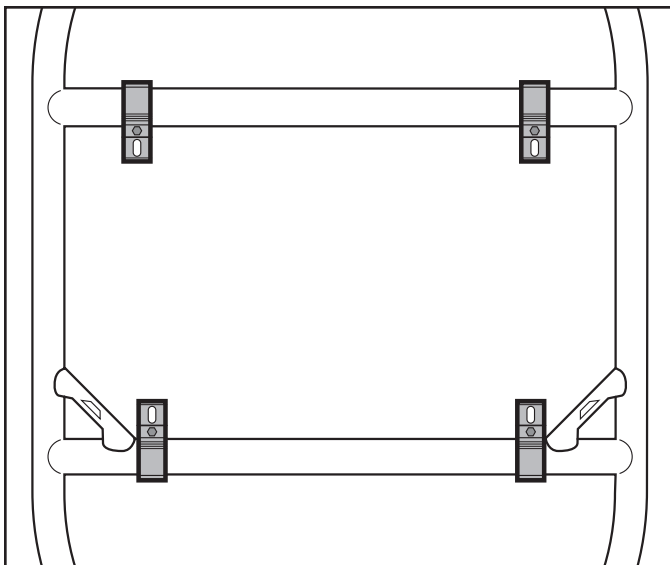


Image A1 – View From Top of Roll Cage

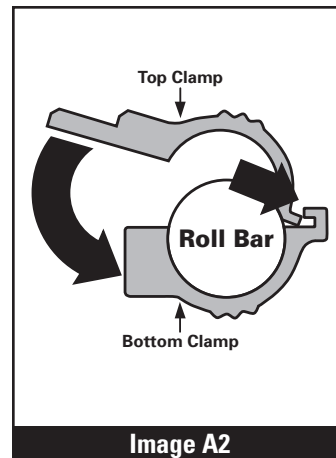


Image A2

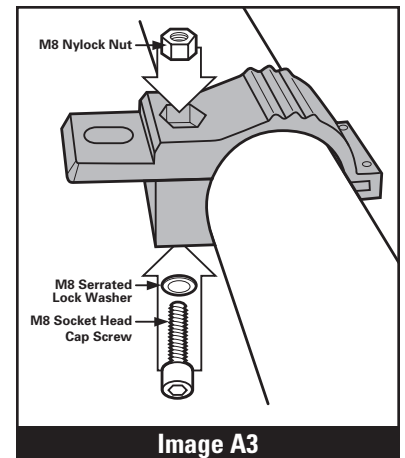


Image A3

- 3) Place the three panels of the roof onto the vehicle by sliding the driver and passenger sides into the center panel as shown in **Image "B"**.
- 4) Continue sliding the two outside panels into the center panel until the edges of the outer panels are snug with your vehicle's roll cage as shown in **Image "C"**. At this point, make certain the center panel is located in the center of the vehicle.
- 5) Fasten the two outside panels to the center panel by utilizing the supplied M6 x 60mm lg. button head cap screws, M6 x 19mm O.D. bonded sealing washers, M6 x 25mm O.D. fender washers and M6 nylock nuts as shown in **Image "D"**. Repeat this in all six holes located on the center panel. **Do not tighten at this point.**
- 6) From inside the cab of your vehicle, locate the four clamps mounted in **Step 1** and **Step 2**. Slide them along the roll cage until the slotted holes on the tongues of the clamps are located in a position that will provide a secure and stable mount for the roof.
- 7) From inside the cab of your vehicle, mark the four positions through the slotted holes in the clamps as shown in **Image "E"**.
- 8) Slide the clamps to the side to provide room for a drill motor. Using a 1/4" drill bit, **CAREFULLY** drill straight through the bottom wall and top wall of the roof in all four positions as shown in **Image "F"**.
- 9) Using a 1/2" drill bit, **CAREFULLY** drill straight through the **BOTTOM WALL ONLY** of the roof in all four positions as shown in **Image "G1"**. **DO NOT DRILL THROUGH THE TOP WALL.**
- 10) Insert the four supplied 12.7mm O.D. x 7.62mm I.D. x 25.4mm thick white spacers into these four holes until they are pressing up against the top wall as shown in **Image "G2"**.
- 11) Return the clamps to their mounting position and finish tightening them. **Be sure not to overtighten.**

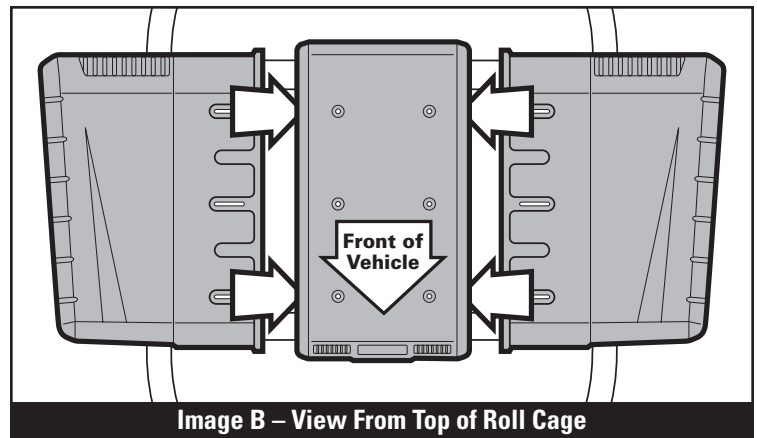


Image B – View From Top of Roll Cage

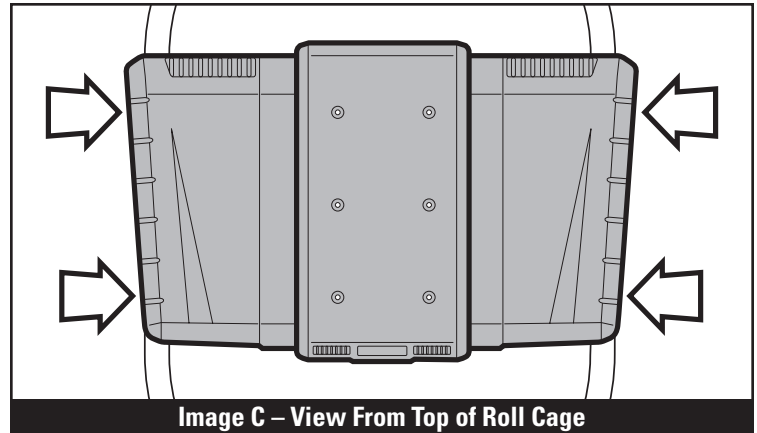


Image C – View From Top of Roll Cage

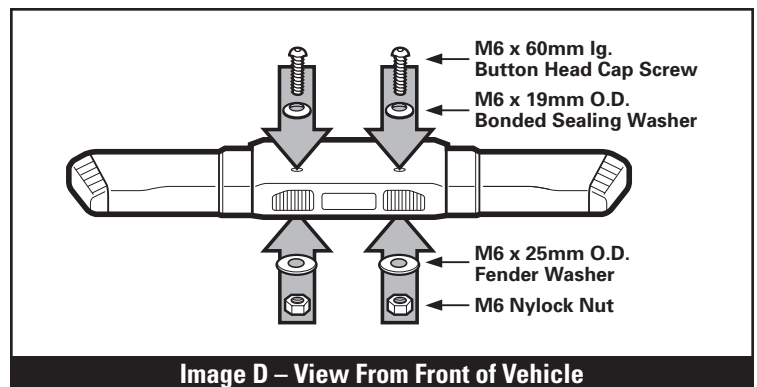


Image D – View From Front of Vehicle

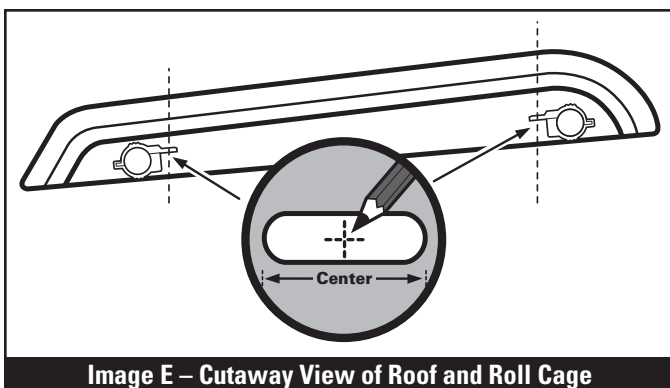


Image E – Cutaway View of Roof and Roll Cage

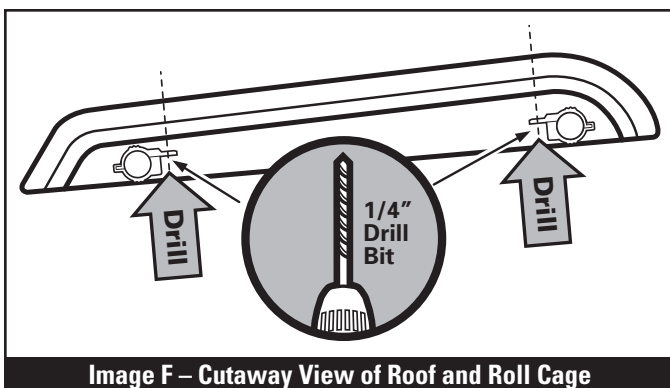


Image F – Cutaway View of Roof and Roll Cage

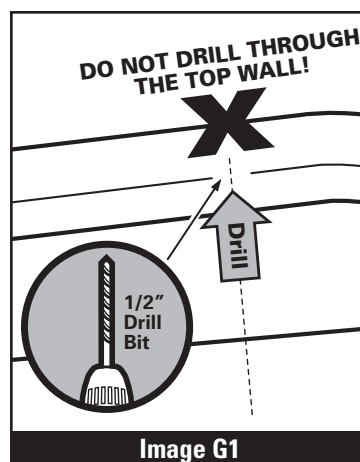


Image G1

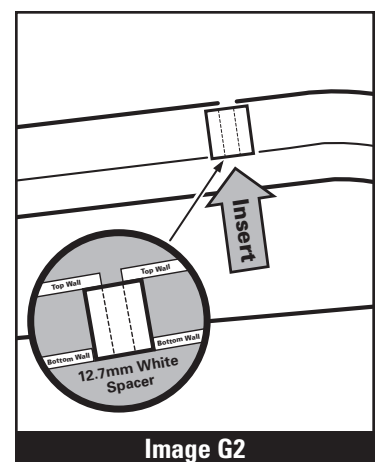


Image G2

12) Fasten the outside roof panels to the rear clamps with the supplied M6mm x 60 or M6 x 75mm screws, M6 x 19mm O.D. bonded sealing washers, black spacer(s), M6 x 19mm O.D. fender washers and M6 nylock nuts as shown in **Image "H"**. You are also provided with additional black spacers to stack if you require more support on the clamps. Please note the white spacers are placed between the two walls of the roof to prevent it from compressing once tightened. **Do not tighten at this point.**

13) Fasten the outside roof panels to the front clamps with the supplied M6 screws, M6 x 19mm O.D. bonded sealing washers, black spacer(s), M6 x 18mm O.D. fender washers and M6 nylock nuts as shown in **Image "I"**. You are also provided with additional black spacers to stack if you require more support on the clamps. Please note the white spacers are placed between the two walls of the roof to prevent it from compressing once tightened. **Do not tighten at this point.**

14) Check to make sure the center panel is still located in the center of the vehicle. You are now ready to secure all of the mounting hardware. **Be sure not overtighten.** First, tighten the hardware connecting the roof panels installed in **Step 5**. Second, tighten the hardware connecting the roof to the rear clamps installed in **Step 12**. Third, tighten the hardware connecting the roof to the front clamps installed in **Step 13**.

15) In order to stabilize the roof on the roll cage and to prevent excessive vibration, you have been supplied with two self-adhesive foam blocks. Using your best judgement, select a size and cut to length. Remove the protective paper and place between the front of the roof and the roll cage as shown in **Image "J"**.

16) Repeat this step for the back of the roof by selecting a size and cutting to length. Remove the protective paper and place between the back of the roof and the roll cage as shown in **Image "J"**.

17) **Maintenance and Care:** Tighten all hardware after first use and periodically thereafter.

⚠ WARNING Failure to follow these installation instructions completely may void any warrantable components and result in property damage or personal injury **NEVER** operate or transport UTV with unsecured cargo. For additional assistance, please contact our customer service department at:

Kolpin Outdoors, Inc.
 205 N. Depot Street | Fox Lake, WI 53933 | 1.877.956.5746
 customerservice@kolpin.com

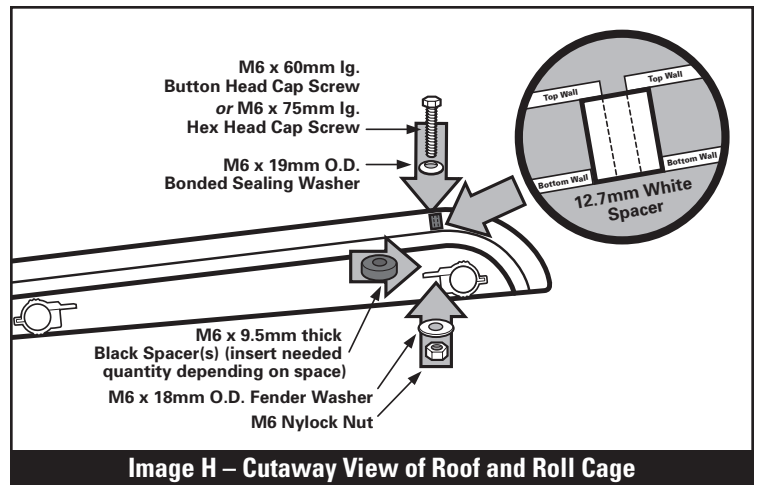


Image H – Cutaway View of Roof and Roll Cage

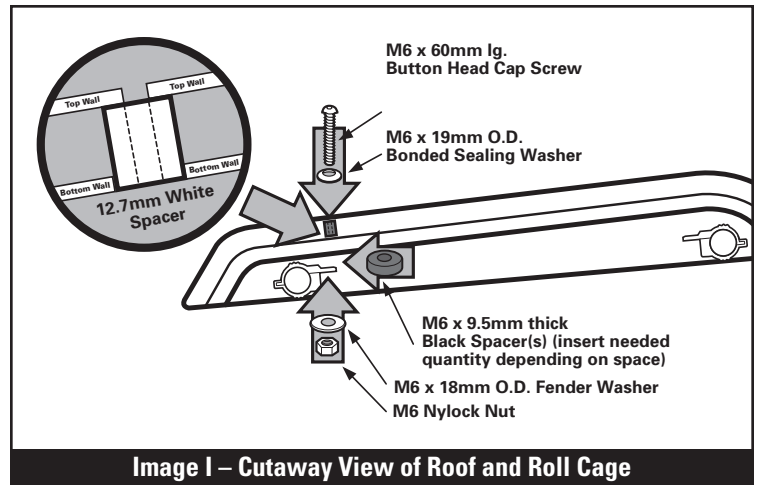


Image I – Cutaway View of Roof and Roll Cage

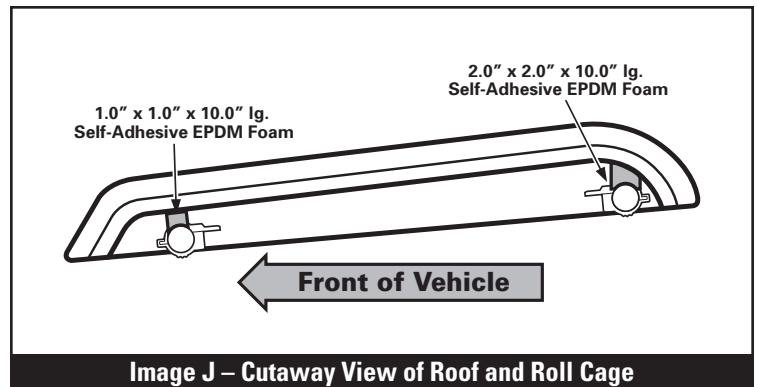


Image J – Cutaway View of Roof and Roll Cage