



Honda Pioneer 700 Pro Series Roof Installation Instructions

Stock No.: 4454

Please read and understand these instructions completely before installation to avoid injury to yourself or damage to the vehicle or accessory.

Dealer: These instructions contain important information for future reference and must be given to the customer at time of purchase or upon completion of installation.

Parts List:

ITEM	PART NAME	PART NO.	DESCRIPTION	QTY.
1	Roof	10-4454	Honda Pioneer 700 Pro Series Roof	1
	Hardware Kit	60-4454	Honda Pioneer 700 Pro Series Roof Hardware Kit (includes all items below)	1
2	Clamp	52-0030	1.625" Diameter "P" Type Clamp	8
3	Screw	75-7519	M6 x 1.0 x 25mm Torx Head Screw	8
4	Washer	76-0035	0.25" I.D. x 0.625" O.D. Bonded Sealing Washer	8
5	Washer	76-6329	0.281" I.D. x 0.875" O.D. Fender Washer	8
6	Nut	77-7547	M6 x 1.0 Hex Flange Nylock Nut	8

- 1) Viewing your vehicle from above, and illustrated in **Image A1**, please note the suggested roof mounting points. They are represented with arrows on the cab frame.
- 2) Wrap the eight "P" Type Clamps around the cab frame as indicated in **Image A2**. Please note the direction the tabs on the clamps face.

The two rear clamps and two side clamps should fall on the recessed mounting areas molded into the roof. The location and direction of these clamps are also illustrated in **Images A3, A4 and A5**.

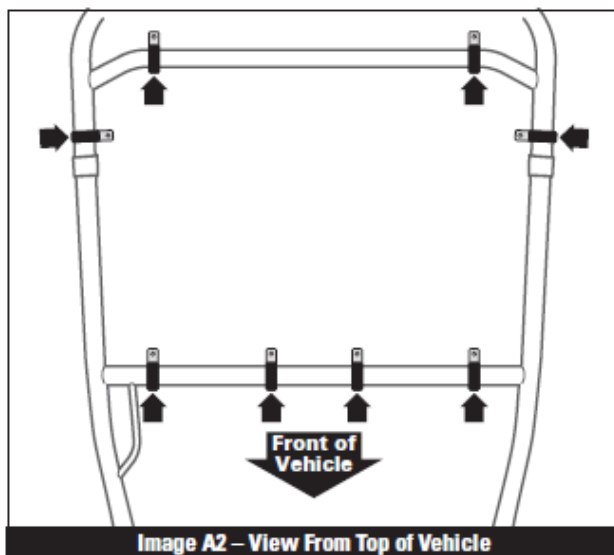


Image A2 – View From Top of Vehicle

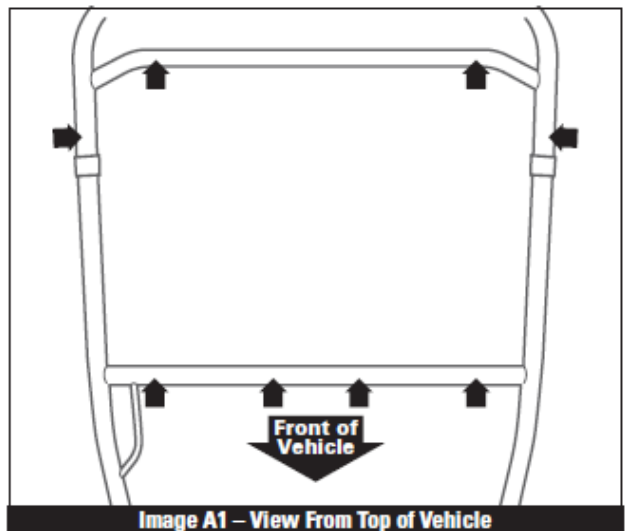


Image A1 – View From Top of Vehicle

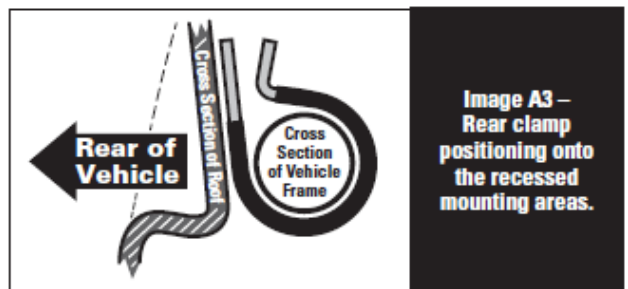


Image A3 – Rear clamp positioning onto the recessed mounting areas.

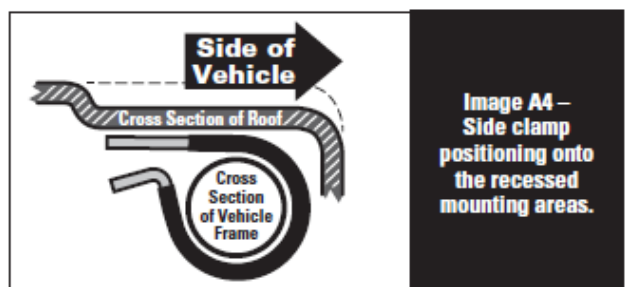


Image A4 – Side clamp positioning onto the recessed mounting areas.

- 3) Place the **Pro Series Roof** on the vehicle with the logo facing toward the front as indicated in **Image A5**.
- 4) Once the roof and clamps are into position, clearly mark the eight (8) recommended mounting points through the holes on tabs of the clamps.
- 5) Remove the roof and with an M6 bit, **CAREFULLY** drill the roof in the eight (8) marked locations.
- 6) Place the roof back on the vehicle and align the clamps with the holes you just drilled.
- 7) As illustrated in **Image B**, attach the roof to the clamps using the **M6 Screws, Sealing Washers, Fender Washers and M6 Nut**. **DO NOT** completely tighten at this point.
- 8) Check the alignment and positioning of the roof. Once you are satisfied with its location, continue to **COMPLETELY TIGHTEN** all of the hardware.
- 9) **Maintenance and Care:** Tighten all hardware after first use and periodically thereafter.

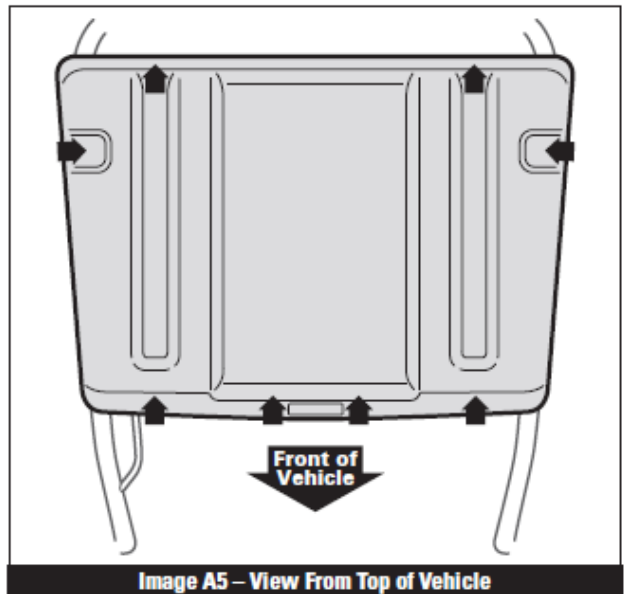


Image A5 – View From Top of Vehicle

⚠️ WARNING Failure to follow these installation instructions completely may void any warrantable components and result in property damage or personal injury **NEVER** operate or transport UTV with unsecured cargo. For additional assistance, please contact our customer service department at:

Kolpin Outdoors, Inc.
1.877.956.5746 | customerservice@kolpin.com

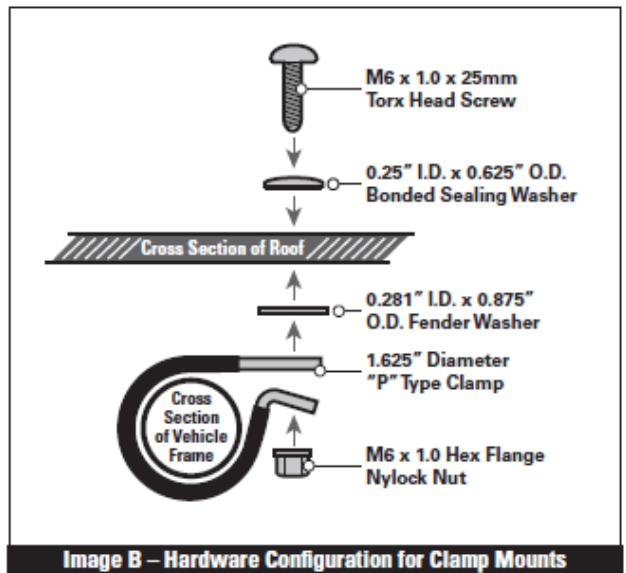


Image B – Hardware Configuration for Clamp Mounts

